



Shown with optional modular trailer kit

Technosub® Standard High Head Auto Prime pumps are specifically designed to effectively handle a wide range of liquids in applications such as liquid transfer, wash down, fire protection, fracking and jetting where high heads and pressure are required.

Technosub Standard High Head Auto Prime pumps provide a dependable, highly efficient solution in a completely automatic priming pump.

The model 4TSHAP is capable of achieving maximum flows of 1375 gpm (312 m³/h) and maximum total head of 380' (115 m), with solids handling up to 5/8" (15 mm) in diameter.

The standard 4TSHAP is powered by a water-cooled, 4-cylinder diesel engine. Alternative drives are available, including other diesel engines or electric motor options.

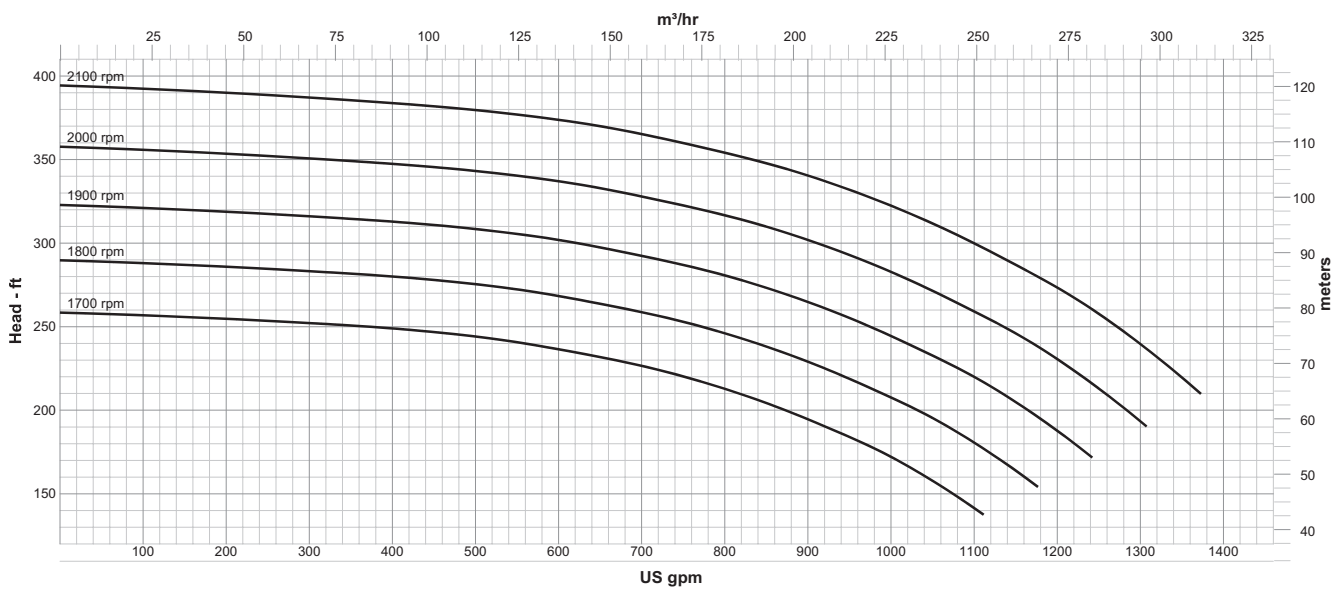
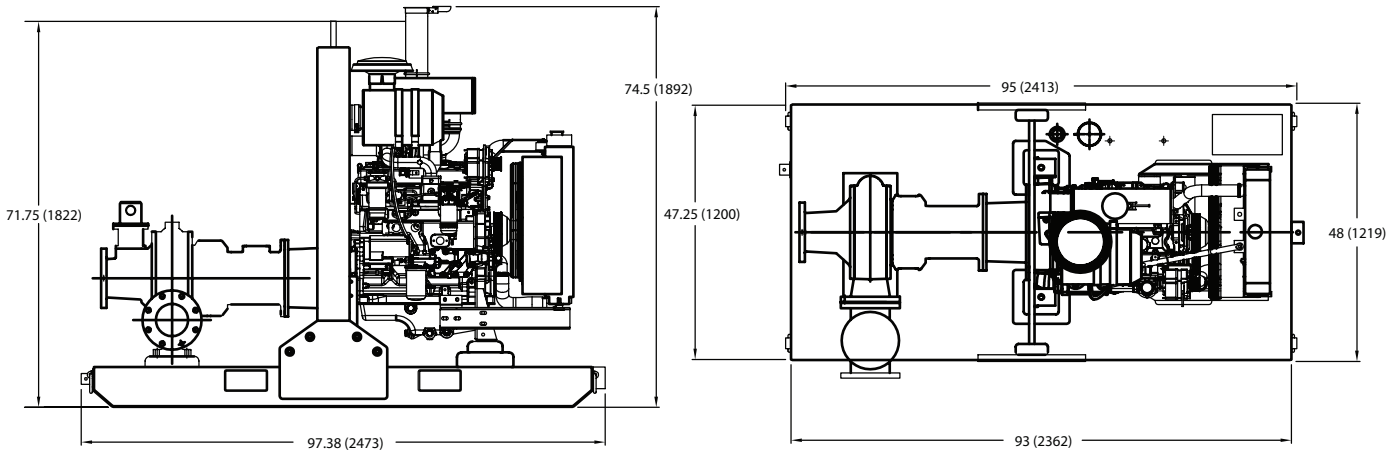
FEATURES

- Technosub's rugged, heavy duty pumps are engineered specifically for portable application
- Fully automatic priming system allows the pump to prime and re-prime while running
- Compressor-fed, venturi priming system provides rapid, reliable priming
- Mechanical seal with biodegradable glycol quench allows the pump to start and run dry
- Non-return valve uses only a single moving part to allow full flow with minimal restriction
- Pump casings are hydrostatically tested to 50 psig (345 kPa) above the peak casing design pressure
- Standard engine control panel provides preset emergency shutdown protection and allows the addition of automatic level control
- Skid-mounted formats with tie downs, lifting bail, and fork pockets

OPTIONS

- Fuel tanks for extended run times and/or remote location
- Modular trailer kit
- Trailer brakes and lights
- Sound attenuated enclosure
- Hose racks, accessory containers and other custom features available
- Wide range of suction and discharge fittings including Technosub's own "QD" Quick Disconnect fittings and accessories

4TSHAP STANDARD HIGH HEAD AUTO PRIME



SPECIFICATIONS

- **Connections:** 4" x 3" (100 mm x 75 mm) ANSI Flanges
- **Maximum Pump Speed:** 2100 rpm
- **Maximum Flow:** 1375 gpm (312 m³/h)
- **Maximum Head:** 380' (115 m)
- **Maximum Static Priming Lift:** 28' (8.5 m)
- **Water Temperature Limit:** 160° F (70° C)
- **Solids Handling Capability:** 5/8" (15 mm)
- **Maximum Casing Pressure:** 200 psig (1379 kPa)
- **Fuel Tank:** 110 gallons (416 liters)

PUMP MATERIALS

- **Casing:** Cast Iron (CD4MCu is an option)
- **Impeller:** CD4MCu
- **Wear Rings:** CD4MCu and 316 SS
- **Bearing Housing:** Cast Iron
- **Bearing Lubrication:** Grease
- **Shaft:** 431 Stainless Steel
- **Seal:** Silicon Carbide on Silicon Carbide
- **Chassis/Fuel Cell:** Steel
- **Non-Return Valve:** Nitrile Fitted Cast Iron

Specifications and illustrations are subject to revision without notice. Technosub is not liable for any consequential, incidental or indirect damages relating to these specifications.

