

Technosub® Standard High Head Auto Prime pumps are specifically designed to effectively handle a wide range of liquids in applications such as liquid transfer, wash down, fire protection, fracking and jetting where high heads and pressure are required.

Technosub Standard High Head Auto Prime pumps provide a dependable, highly efficient solution in a completely automatic priming pump.

The model 6TSHAP is capable of achieving maximum flows of 2100 gpm (477 m³/h) and maximum total head of 375' (114 m), with solids handling up to 7/8" (22 mm) in diameter.

The standard 6TSHAP is powered by a water-cooled, 6-cylinder diesel engine. Alternative drives are available, including other diesel engines or electric motor options.

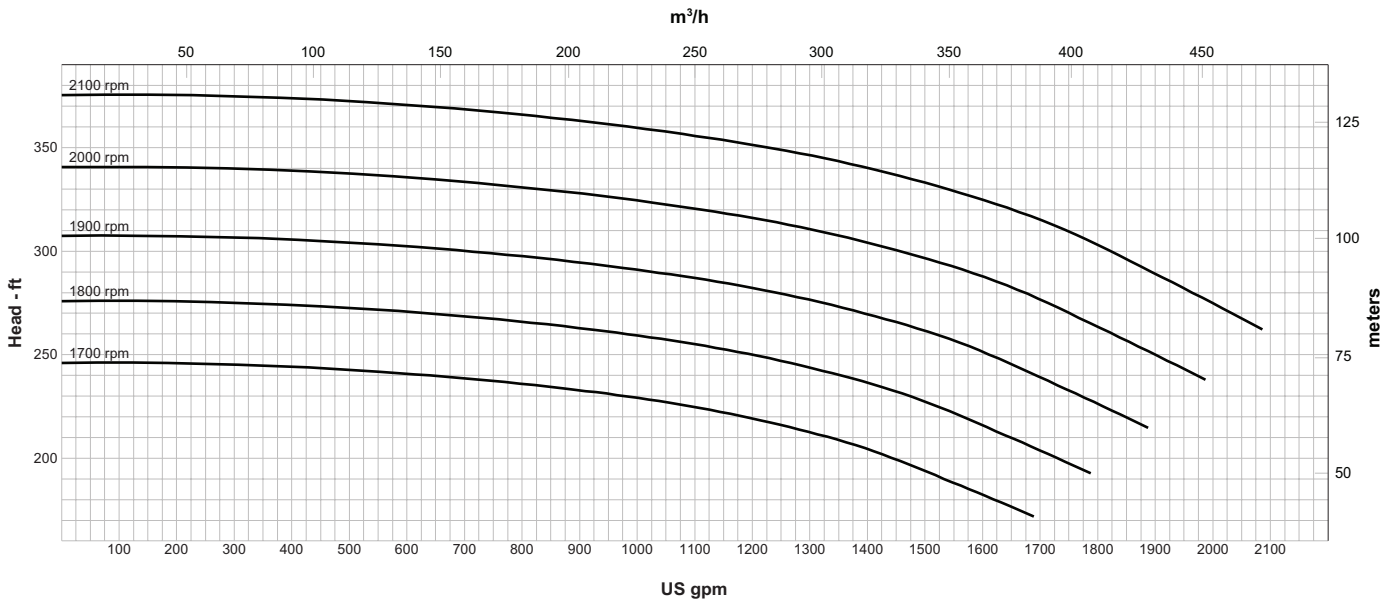
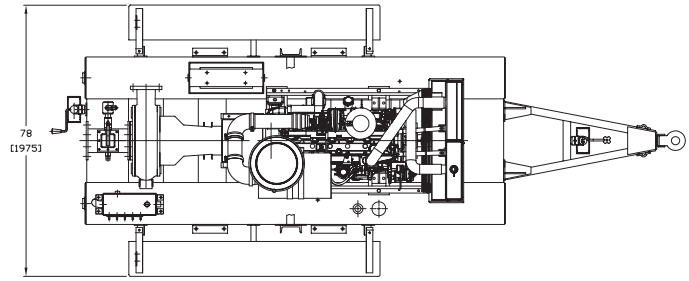
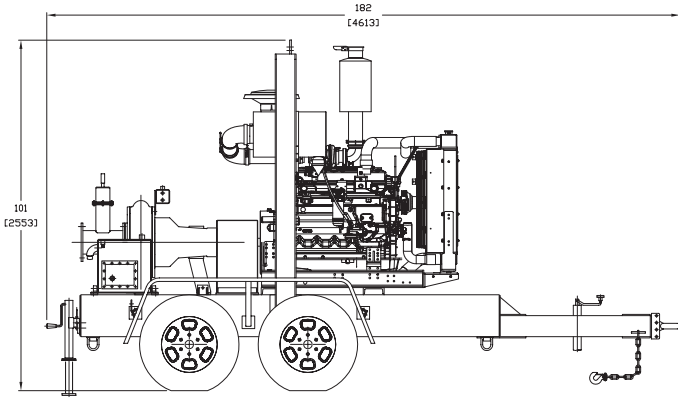
FEATURES

- Technosub's rugged, heavy duty pumps are engineered specifically for portable application
- Fully automatic priming system allows the pump to prime and re-prime while running
- Compressor-fed, venturi priming system provides rapid, reliable priming
- Fully guarded coupling
- Mechanical seal with biodegradable glycol quench allows the pump to start and run dry
- Non-return valve uses only a single moving part to allow full flow with minimal restriction
- Pump casings are hydrostatically tested to 50 psig (345 kPa) above the peak casing design pressure
- Standard engine control panel provides preset emergency shutdown protection and allows the addition of automatic level control
- Skid-mounted formats with tie downs, lifting bail, and fork pockets

OPTIONS

- Technosub's Environmental Box captures venturi blow by, separates and silences air exhaust and returns liquid to the pump suction.
- Fuel tanks for extended run times and/or remote location as required
- Highway trailer with integral fuel cell/chassis, lights, fenders, tie downs, lifting bail, front and rear jacks
- Trailer brakes can be offered as required
- Sound attenuated enclosure options
- Hose racks, accessory containers and other custom features available as required
- Wide range of suction and discharge fittings including Technosub's own "QD" Quick Disconnect fittings and accessories

6TSHAP STANDARD HIGH HEAD AUTO PRIME



SPECIFICATIONS

- **Connections:** 6" x 4" (150 mm x 100 mm) ANSI Flanges
- **Maximum Pump Speed:** 2100 rpm
- **Maximum Flow:** 2100 gpm (477 m³/h)
- **Maximum Head:** 375' (114 m)
- **Maximum Static Priming Lift:** 28' (8.5 m)
- **Water Temperature Limit:** 160° F (70° C)
- **Solids Handling Capability:** 7/8" (22 mm)
- **Maximum Casing Pressure:** 200 psig (1379 kPa)
- **Standard Compact Fuel Tank:** 130 gallons (492 liters)
- **Optional Large Fuel Tank:** 190 gallons (719 liters)

PUMP MATERIALS

- **Casing:** Cast Iron (CD4MCu is an option)
- **Impeller:** CD4MCu
- **Bearing Housing:** Cast Iron
- **Bearing Lubrication:** Grease
- **Shaft:** Steel
- **Shaft Sleeve:** Stainless Steel
- **Seal:** Silicon Carbide on Silicon Carbide
- **Chassis/Fuel Cell:** Steel
- **Non-Return Valve:** Nitrile Fitted Cast Iron
- **Environmental Box (Optional):** Steel

Specifications and illustrations are subject to revision without notice. Technosub is not liable for any consequential, incidental or indirect damages relating to these specifications.

