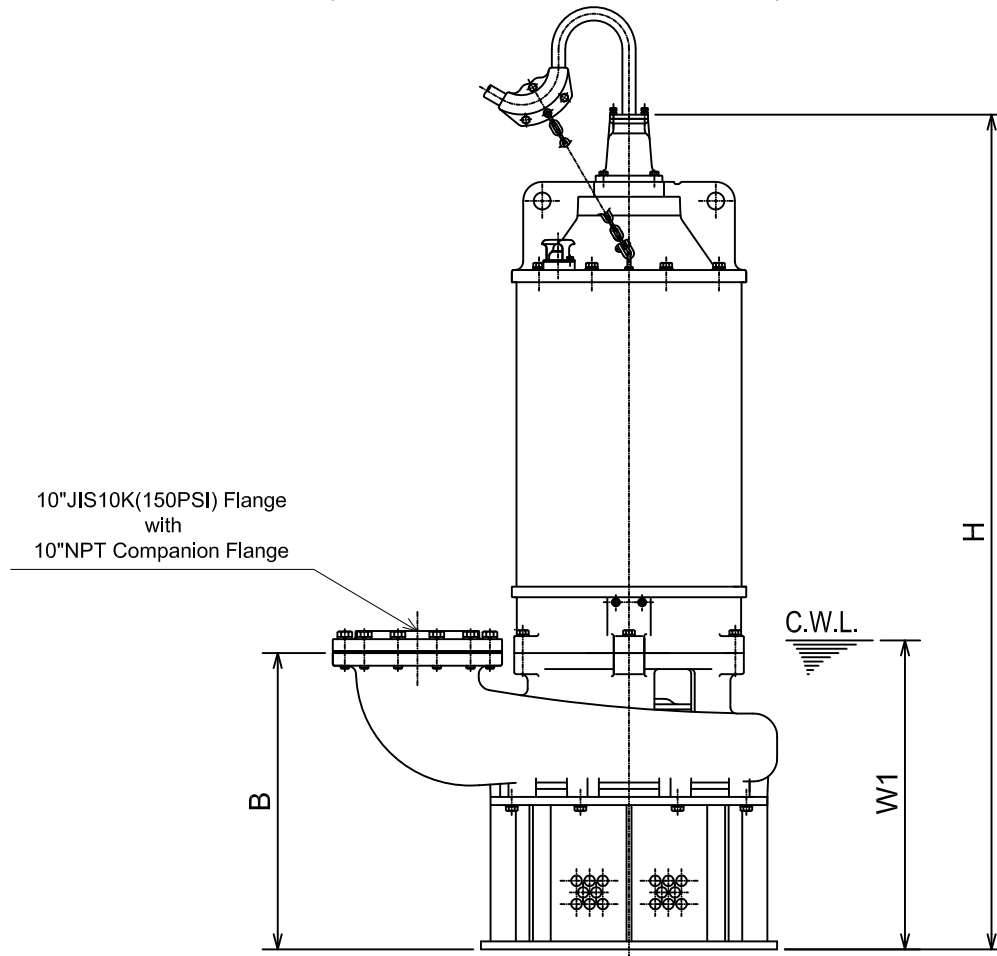
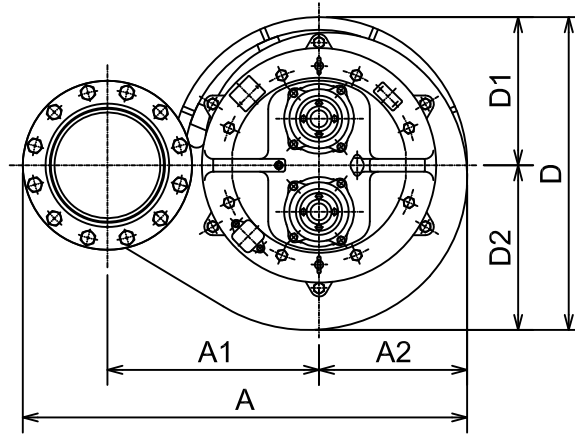




**GSZ-4 SERIES**  
HIGH VOLUME -DEWATERING PUMPS

**DIMENSIONS**

**GSZ2-75-4L**



C.W.L. :Continuous running Water Level

**DIMENSIONS:USCS(Inch)**

Model	HP	NOM. SIZE	Pump & Motor								C.W.L.	*Wt.
			A	A1	A2	B	D	D1	D2	H	W1	(lbs.)
GSZ2-75-4L	100	10"	41 5/16	19 11/16	13 3/4	27 9/16	29 1/8	13 3/4	15 5/16	77 5/8	28 3/4	2730

\*Excluding Cable

**DIMENSIONS:METRIC(mm)**

Model	kW	NOM. SIZE	Pump & Motor								C.W.L.	*Wt.
			A	A1	A2	B	D	D1	D2	H	W1	(kg)
GSZ2-75-4L	75	250	1050	500	350	700	739	350	389	1972	730	1238

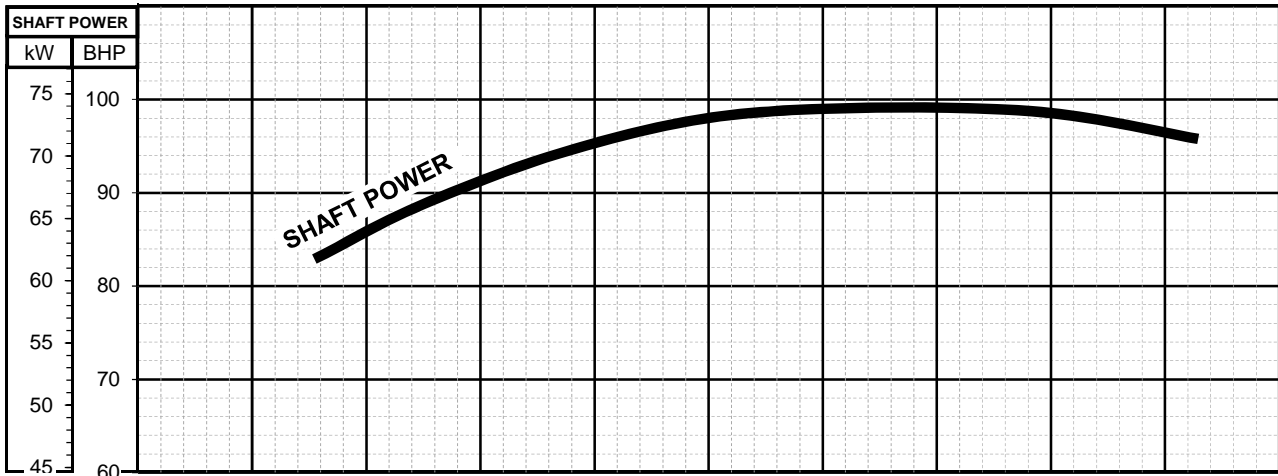
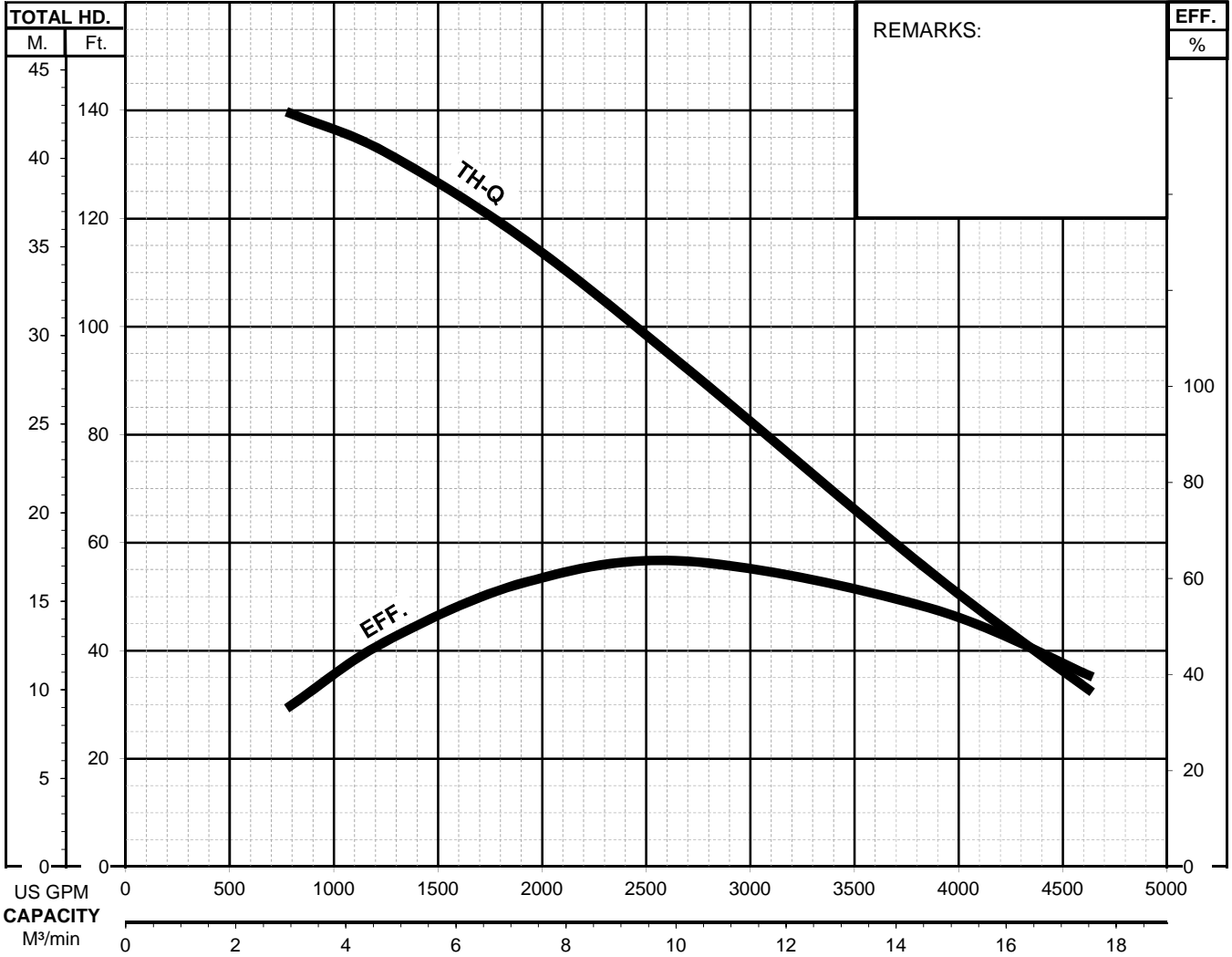


# GSZ-4 SERIES

HIGH VOLUME - DEWATERING PUMPS

PERFORMANCE  
CURVE

MODEL	BORE	HP	KW	RPM	SOLIDS DIA.	LIQUID	SG.	VISCOSITY	TEMP.
GSZ2-75-4L	10"/250mm	100	75	1775	0.984"/25mm	Water	1.0	1.123cSt.	60°F
PUMP TYPE	PHASE	VOLTAGE	AMPERAGE	HZ	STARTING METHOD	INS. CLASS			
High Volume - Dewatering Pump	3	460 / 575	128 / 101	60	Srar-Delta	F			
CURVE No.	DATE	PHASE	VOLTAGE	AMPERAGE	HZ	STARTING METHOD	INS. CLASS		
-	-	-	-	-	-	-	-		

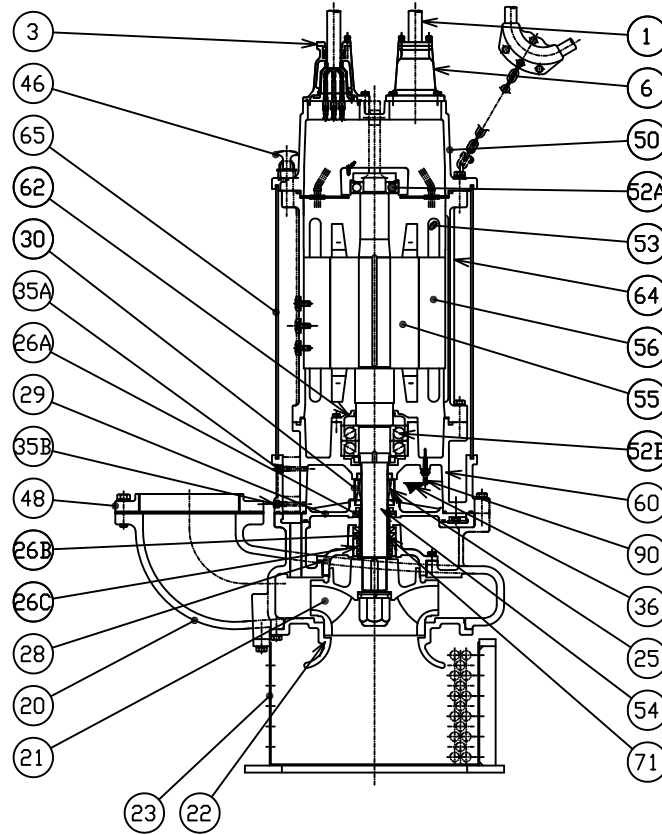




**GSZ-4 SERIES**  
HIGH VOLUME - DEWATERING PUMP

**SECTIONAL VIEW**

**GSZ2-75-4L**



PART#	DESCRIPTION	MAIN MATERIAL / NOTE	RELATED ASTM,AISI CODE	RELATED EN CODE	QTY
1	Power Cable	Chloroprene Sheath AWG 2/3, 6/1, 14/3 -50ft			1
	Power Cable	Chloroprene Sheath AWG 2/3 -50ft			1
3	Gland	Cast Iron	A48M Class30B	EN 1561 GJL-200	2
6	Stuffing Box	Cast Iron	A48M Class30B	EN 1561 GJL-200	2
20	Pump Casing	Cast Iron	A48M Class30B	EN 1561 GJL-200	1
21	Impeller	High Chrome Cast Iron	A532 Class III TypeA	DIN 1695 G-X260Cr27	1
22	Suction Cover	Cast Iron	A48M Class30B	EN 1561 GJL-200	1
23	Suction Strainer	Steel	A283 Grade D	EN 10025 S275	1
25	Mechanical Seal	Silicon Carbide / H-70			1
26A	Oil Seal	NBR / TC-8011515			1
26B	Oil Seal	NBR / TC-8011515			2
26C	Labyrinth Ring	Stainless Steel	S 40300	1.4000	1
28	Seal Housing	NBR / TC709513	A48M Class30B	EN 1561 GJL-200	1
29	Oil Casing	Cast Iron	A48M Class30B	EN 1561 GJL-200	1
30	Oil Lifter	Steel (Cold Rolled)	A109 / A1008	EN 10130	1
35A	Oil Plug	Stainless Steel	S 30400	1.4301	2
35B	Oil Plug	Stainless Steel	S 30401	2.4301	1
36	Lubricant	Turbine Oil ISO VG32 or SAE 10W-20			
46	Air Release Valve	Steel (Cold Rolled)	A109 / A1008	EN 10130	1
48	Companion Flange	Cast Iron / NPT 10" JIS10K	A48M Class30B	EN 1561 GJL-200	1
50	Motor Bracket	Cast Iron	A48M Class30B	EN 1561 GJL-200	1
52A	Upper Bearing	#6312ZZC3			1
52B	Lower Bearing	#7317BDB			1
53	Motor Protector				3
54	Shaft	Stainless Steel	S 42000	1.4028	1
55	Rotor				1
56	Stator				1
60	Bearing Housing	Cast Iron	A48M Class30B	EN 1561 GJL-200	1
62	Bearing Cover	Cast Iron	A48M Class30B	EN 1561 GJL-200	1
64	Motor Housing	Cast Iron	A48M Class30B	EN 1561 GJL-200	1
65	Outer Cover	Steel	A283 Grade D	EN 10025 S275	1
71	Shaft Sleeve	Stainless Steel	S 40300	1.4000	1
90	Leak Sensor (Electrode)	Stainless Steel	S 30300	1.4305	1

PARTS LIST		HIGH VOLUME DEWATERING PUMP			3/28/2018	
ITEM	PART No.	DESCRIPTION	QTY	SIZE	MATERIAL	NOTES
1	141-006-19	Hex.Nut	6	M10	SUS304	
2	010-103-21	Cable Clip	4	No.4	SPC	
3	010-129-10	Cable Clip Rubber	2	115x100x2t	NBR	
4	140-074-15	Hex.Bolt	6	M10x20	SUS304	
5	011-101-19	Shackle	4	6mm	SS	
6	095-131-18	Chain	2	d4(3-Link)	SS	
7	072-100-20	Eye Bolt	2	M10	SUS304	for chain (cable clip)
8	140-056-53	Hex.Bolt	8	M8x30	SUS304	included in ITEM #16 Cable Ass'y included in ITEM #17 Cable Ass'y
9	141-005-18	Hex.Nut	8	M8	SUS304	included in ITEM #16 Cable Ass'y included in ITEM #17 Cable Ass'y
10	003-106-19	Gland	2	No.5	FC	included in ITEM #16 Cable Ass'y included in ITEM #17 Cable Ass'y
11	004-000-08	Cable Bush	2	d34.5xd58x27l	NBR	included in ITEM #16 Cable Ass'y included in ITEM #17 Cable Ass'y
12	006-103-28	Stuffing Box	2	No.5	FC	included in ITEM #16 Cable Ass'y included in ITEM #17 Cable Ass'y
13	122-264-18	O-Ring	2	140xd3.5	NBR	
14	140-076-17	Hex.Bolt	8	M10x30	SUS304	
15	142-164-19	Spring Washer	8	M10	SUS304	
16	001-009-52	Cabtyre Cable Assembly (50')	1	3PNCT3Cx30mm2(d34)	(/m)	
17	001-009-53	Cabtyre Cable Assembly (50')	1	2PNCTF7Cx30mm2(d34.1)	(/m)	
18	008-105-13	Mould Cover	2	No.3	NBR	included in ITEM #16 Cable Ass'y included in ITEM #17 Cable Ass'y
19	003-149-14	Gland (Lower)	2	No.5	FC	included in ITEM #16 Cable Ass'y included in ITEM #17 Cable Ass'y
20	009-107-18	Terminal	1	R-14-6	CU	included in ITEM #17 Cable Ass'y
21	140-033-12	Hex.Bolt	8	M6x16	SUS304	included in ITEM #16 Cable Ass'y included in ITEM #17 Cable Ass'y
22	009-114-18	Connector	3	PC-4020M		included in ITEM #17 Cable Ass'y
23	009-115-19	Connector	3	PC-4020F		included in ITEM #17 Cable Ass'y
	002-164-12	Heat Shrink Tube (Sold per meter)	m	A4	(/m)	
24	141-004-59	Hex.Nut	7	M6	SWRM	
25	009-167-16	Terminal	6	R-38-S6	CU	included in ITEM #16 Cable Ass'y included in ITEM #17 Cable Ass'y
26	009-107-18	Terminal	7	R-14-6	CU	
27	140-029-28	Hex.Bolt	7	M6x10	SWRM	
		Grounding wire		14SQ	PVC	
	009-107-18	Terminal	1	R-14-6	CU	
	143-000-58	Pan Screw(w/Spring Washer/Plain Washer)	1	M6x12	SWRM	
28	200-000-23	Electrical tape(30M)	1	540S(0.18T-30Wx30M)		
29	002-000-18	Heat Shrink Tube (Sold per meter)	m	W3F2(3/4N)	(/m)	
30	140-052-17	Hex.Bolt	2	M8x16	SUS304	
31	142-163-18	Spring Washer	2	M8	SUS304	
32	046-000-05	Air Release Valve	1	GSZ/NKZ/B	SPCC	
33	121-151-18	Packing	1	P.C.80xd50	CR	
34	203-058-11	Ball	1	d28	SS	
35	140-129-16	Hex.Bolt	8	M16x65	SUS304	
36	142-166-11	Spring Washer	8	M16	SUS304	

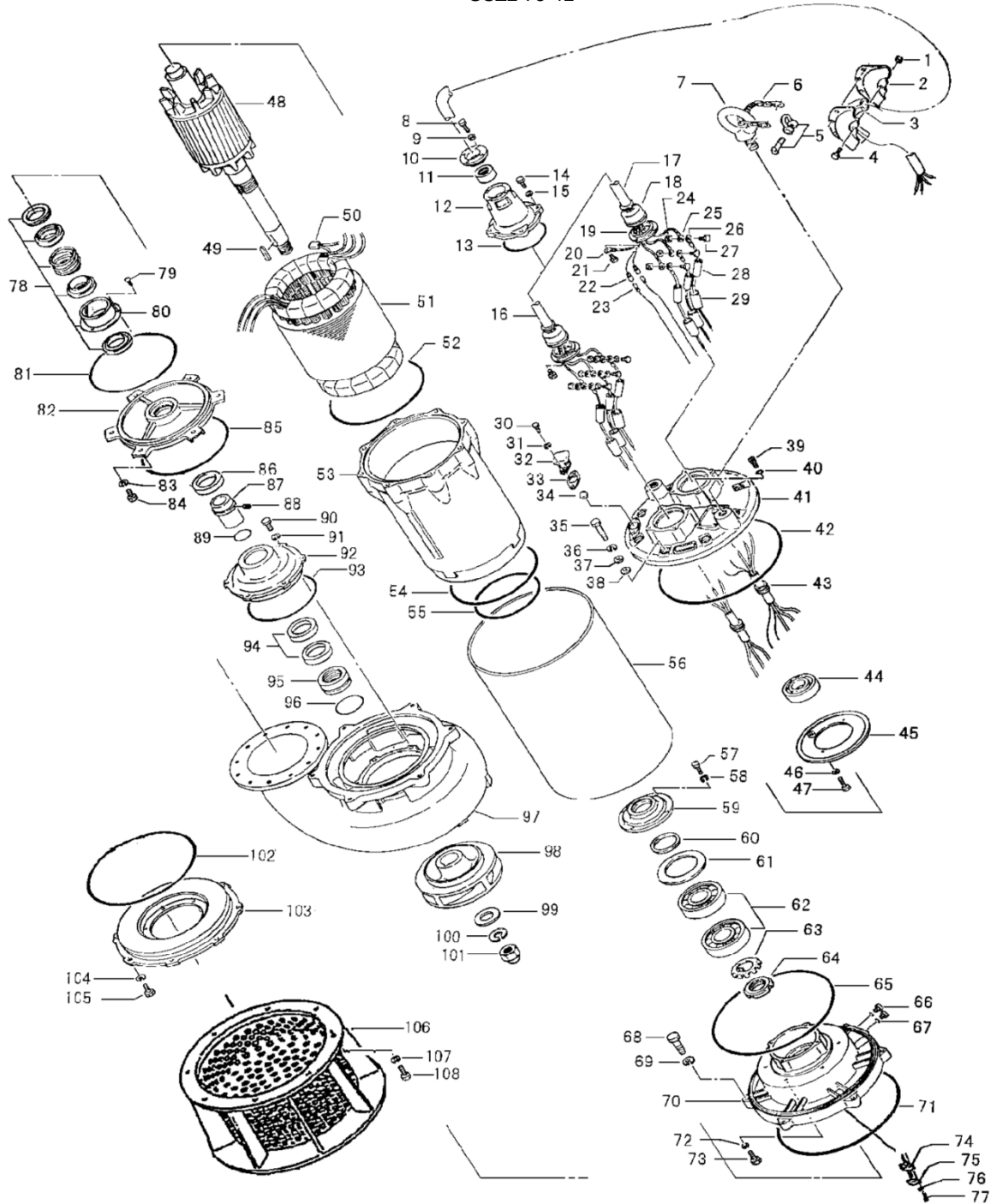
PARTS LIST		HIGH VOLUME DEWATERING PUMP			3/28/2018	
ITEM	PART No.	DESCRIPTION	QTY	SIZE	MATERIAL	NOTES
37	142-000-48	Washer	8	M16(d16.5xd31.5x5t)	SUS304	
38	121-514-13	Seal Packing	8	d15.5xd27x4t	CR	
39	035-113-18	Oil Plug	1	M12x14	SUS304	
40	122-259-10	Packing	1	12.3xd18x2t	PE	
41	050-001-18	Motor Bracket	1		FC250	
42	122-307-14	O-Ring	1	510xd5.7	NBR	motor bracket - outer cover
	181-000-03	Cable Tie	4	T50S, 158X4.7	Nylon	for binding motor lead wire
	142-455-10	Wave Washer	1	6312(d127x5t)	SK5	on Upper Bearing
44	052-114-25	Upper Bearing	1Set	6312ZZC3		
45	058-000-44	Lead Wire Protection Plate	1		SPHC	sandwich between motor bracket and motor frame
48	055-003-06	Rotor Set (Rotor, Shaft, Impeller Key, Impeller Nut, Bearing Nut)	1Set	DD1-4-75-B		
49	147-000-58	Impeller Key	1	18x11x76	SUS420J2	
50	053-305-15	Motor Protector	3	9700K-01-215	(H)	
51	056-008-45	Stator	1Set	75kw-460V/60Hz		w/motor protector
52	122-114-12	O-Ring	1	P-385	NBR	motor bracket - motor frame
53	064-001-38	Motor Frame	1		FC250	
	140-096-13	Hex.Bolt	3	M12x25	SUS304	Frame side - stator
	142-298-13	Seal Washer	3	SM-12	SUS304+NBR	Frame side - stator
54	122-114-12	O-Ring	1	P-385	NBR	motor frame - bearing housing
56	065-000-67	Outer Cover	1		SS400	
57	140-076-17	Hex.Bolt	4	M10x30	SUS304	
58	142-164-19	Spring Washer	4	M10	SUS304	
59	062-000-27	Bearing Cover	1		FC250	
	121-001-66	Packing	1		Felt	in Bearing Cover
62	052-000-76	Lower Bearing	1Set	7317BDB		
63	142-250-13	Bearing Washer	1	AW17	SPCC	
64	141-082-19	Bearing Nut	1	AN-17	Q235	
65	122-307-14	O-Ring	1	510xd5.7	NBR	outer cover - bearing housing
66	035-113-18	Oil Plug	3	M12x14	SUS304	
67	122-259-10	Packing	3	12.3xd18x2t	PE	
68	140-130-10	Hex.Bolt	6	M16x70	SUS304	
69	142-166-11	Spring Washer	6	M16	SUS304	
70	060-001-87	Bearing Housing	1		FC250	
71	122-307-14	O-Ring	1	510xd5.7	NBR	*
72	142-166-11	Spring Washer	6	M16	SUS304	from motor frame
73	140-131-11	Hex.Bolt	6	M16x75	SUS304	from motor frame
74	090-122-11	Leakage Sensor (Electrode)/w Gland	1Set	d9x43L	SUS	
75	003-151-19	Gland(for Leak Sensor)	1		SPC	
77	140-021-17	Hex.Bolt	2	M5x20	SUS304	

PARTS LIST		HIGH VOLUME DEWATERING PUMP				3/28/2018
ITEM	PART No.	DESCRIPTION	QTY	SIZE	MATERIAL	NOTES
78	025-000-52	Mechanical Seal	1	H-70	SiC	
79	143-028-13	Pan Screw	3	M5x10	SWRM	
80	030-135-11	Oil Lifter	1	H-70	SPCC	
81	122-316-16	O-Ring	1	365xd5.7	NBR	
82	029-147-12	Oil Casing	1	GSZ-75-4	FC	
83	142-165-10	Spring Washer	6	M12	SUS304	
84	140-098-15	Hex.Bolt	6	M12x35	SUS304	
85	122-316-16	O-Ring	1	365xd5.7	NBR	
86	026-119-16	Oil Seal	1	TC-8011515	NBR	
87	071-000-58	Shaft Sleeve	1	GSD-55/75-4	SUS403	
90	140-097-14	Hex.Bolt	6	M12x30	SUS304	
91	142-165-10	Spring Washer	6	M12	SUS304	
92	028-121-17	Seal Housing	1	GSZ-75-4	FC	
93	122-252-13	O-Ring	1	270xd3.8	NBR	
94	026-119-16	Oil Seal	2	TC-8011515	NBR	
95	026-151-23	Labyrinth Ring	1	GSZ-55/75-4	SUS403	
96	122-133-17	O-Ring	1	G-110(109.4xd3.1)	NBR	
97	020-003-24	Pump Casing	1	GSZ-75-4L	FC	
98	021-009-86	Impeller (60Hz)	1	GSZ2-75-4L	HiCrFC	
99	142-342-13	Plain Washer	1	M45	SUS304	
100	142-174-12	Spring Washer	1	M45	SUS304	
101	141-000-21	Impeller Nut	1		S35C	
102	122-317-17	O-Ring	1	480xd4	NBR	
103	022-001-90	Suction Cover	1	GSZ-75-4L	FC	
104	142-166-11	Spring Washer	8	M16	SUS304	
105	140-124-11	Hex.Bolt	8	M16x40	SUS304	
106	023-001-87	Strainer Stand	1	GSZ-75-4L	SS	
107	142-166-11	Spring Washer	8	M16	SUS304	
108	140-124-11	Hex.Bolt	8	M16x40	SUS304	
	048-000-53	Screwed Flange	1	JIS10K-NPT10	FC200	
	140-001-30	Hex.Bolt	12	M22x75	SUS304	
	142-169-14	Spring Washer	12	M22	SUS304	
	142-132-18	Plain Washer	12	M22	SUS304	
	121-110-28	Packing	1	JIS10Kx250mm	NR	
	173-GSZ2-75-4L	Packing/O-Ring Kit	1			
		Lubricant		Turbine Oil VG32 9400ml		

PARTS LIST		HIGH VOLUME DEWATERING PUMP				3/28/2018
ITEM	PART No.	DESCRIPTION	QTY	SIZE	MATERIAL	NOTES

## EXPLODED VIEW

GSZ2-75-4L



\* Indicates items included in set