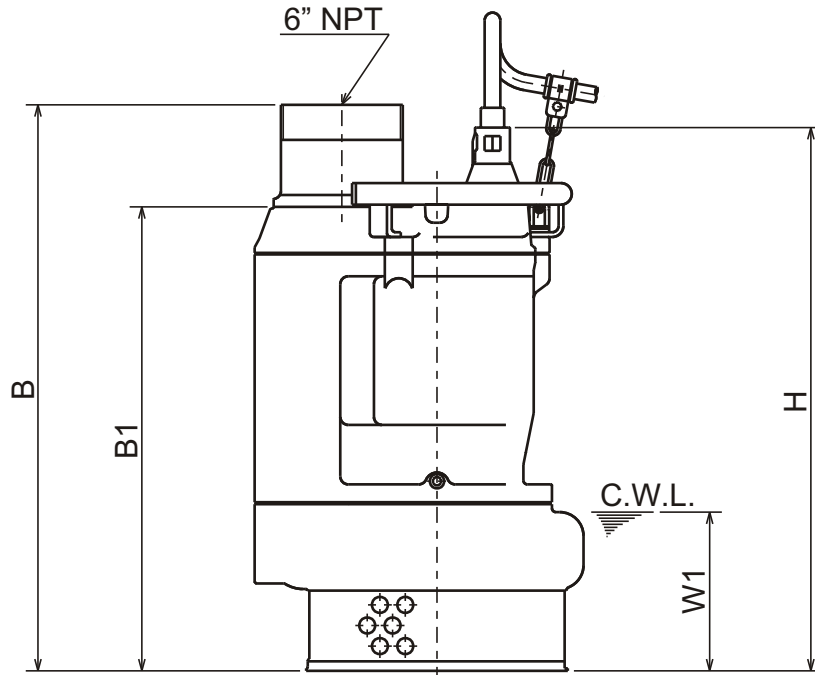
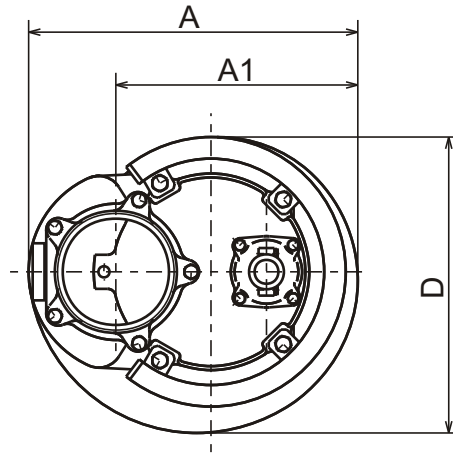




KRS - SERIES
HIGH VOLUME - DEWATERING PUMPS

DIMENSIONS

KRS2-A6
KRS2-B6



C.W.L. : Continuous running Water Level

DIMENSIONS:USCS (Inch)

Model	HP	NOM. SIZE	Pump & Motor						C.W.L.	Wt. (lbs.)
			A	A1	B	B1	D	H	W1	
KRS2-A6	10	6"	16 5/16	12	27 13/16	23 1/16	14 11/16	26 15/16	6 7/8	286
KRS2-B6	15	6"	16 5/16	12	29 5/8	24 13/16	14 11/16	29 3/16	6 7/8	330

DIMENSIONS:METRIC (mm)

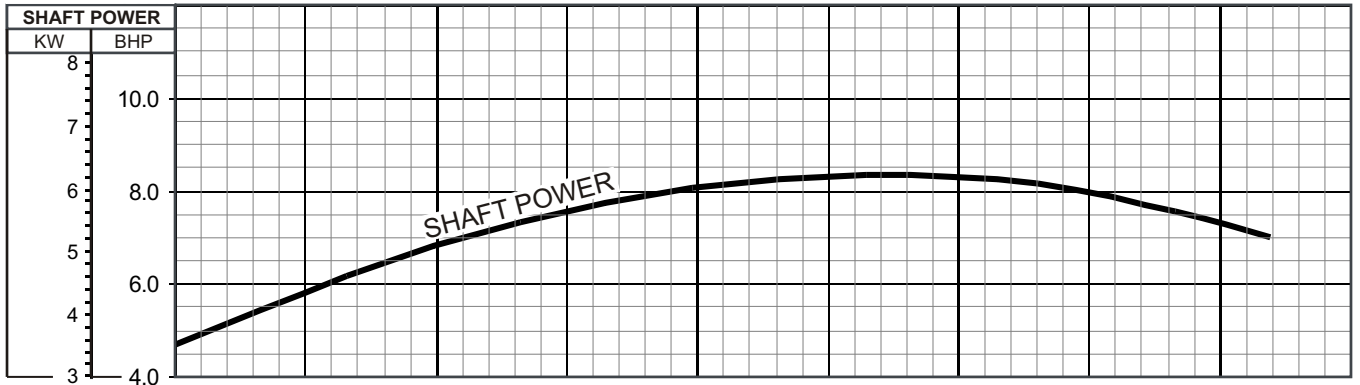
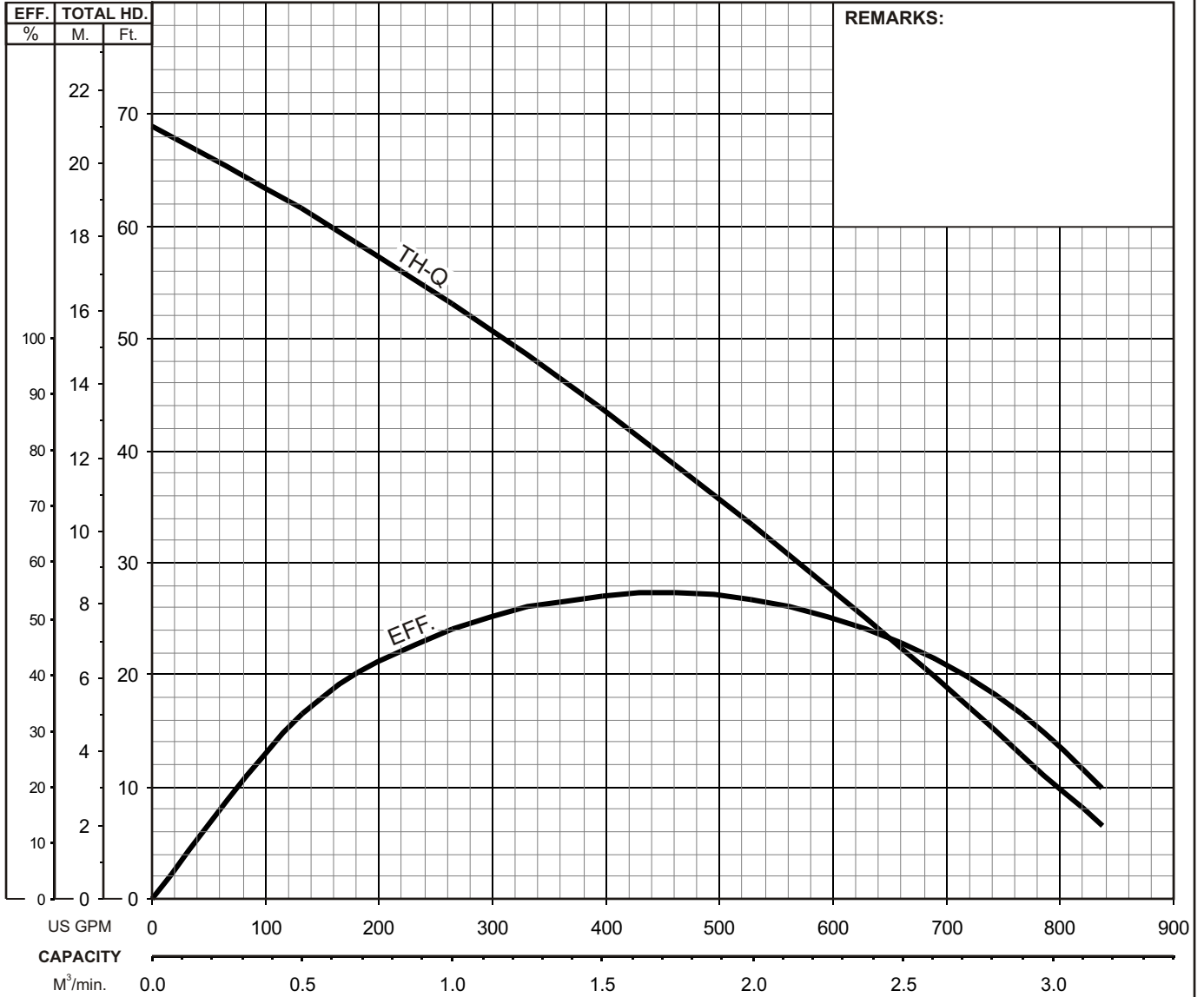
Model	kW	NOM. SIZE	Pump & Motor						C.W.L.	Wt. (kg)
			A	A1	B	B1	D	H	W1	
KRS2-A6	7.5	150	415	305	707	585	373	685	175	130
KRS2-B6	11	150	415	305	752	630	373	742	175	150

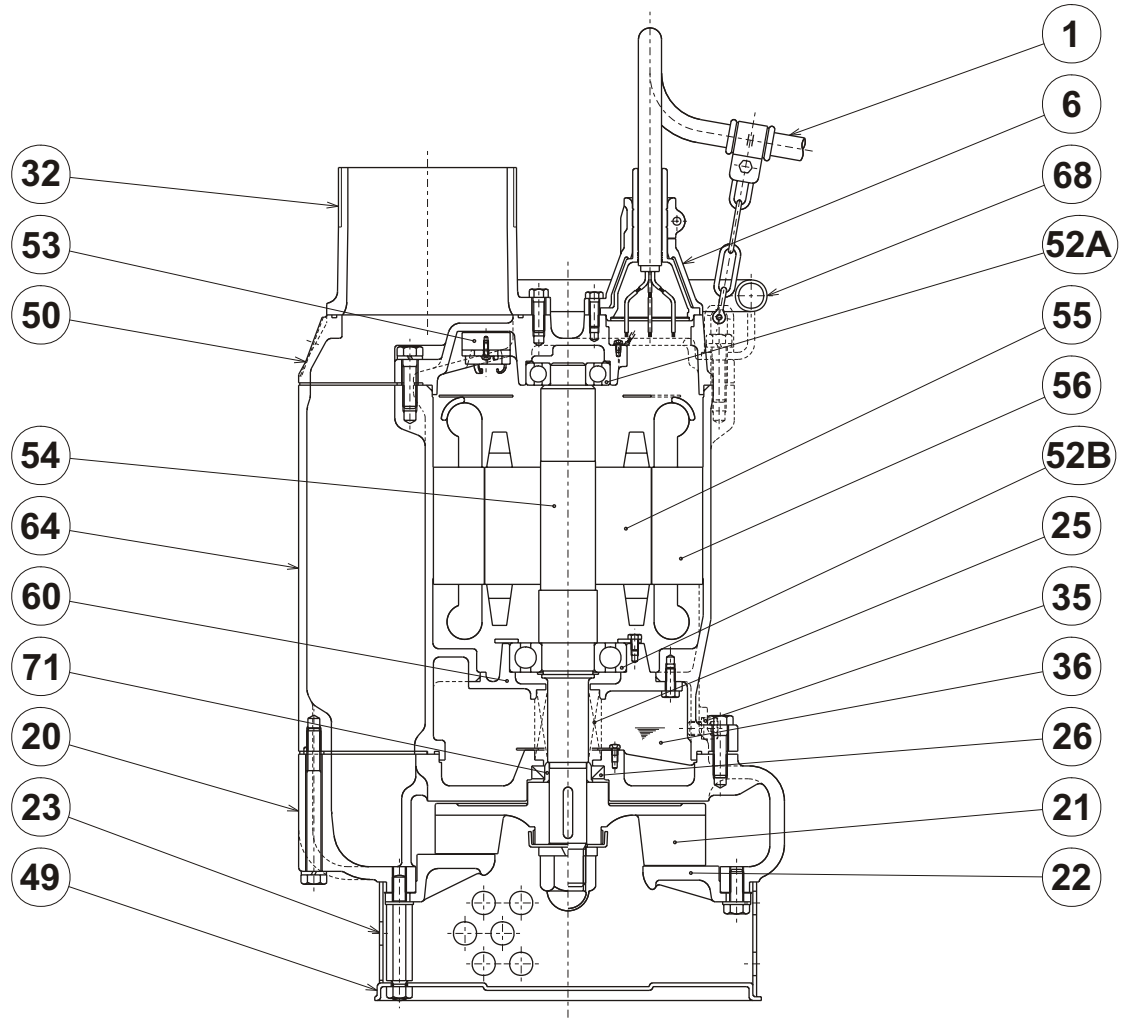


KRS - SERIES HIGH VOLUME - DEWATERING PUMPS

PERFORMANCE CURVE

MODEL	BORE	HP	KW	RPM	SOLIDS DIA	LIQUID	SG.	VISCOSITY	TEMP.
KRS2-A6	6"/150mm	10	7.5	1730	0.787"/20mm	Water	1.0	1.123 cSt	60°F
PUMP TYPE	PHASE	VOLTAGE	AMPERAGE	HZ	STARTING METHOD	INS. CLASS			
High Volume - Dewatering Pump	3	208-230/460/575	29.0-26.0/13.0/10.5	60	Direct On Line	B			
CURVE No.	DATE	PHASE	VOLTAGE	AMPERAGE	HZ	STARTING METHOD	INS. CLASS		
-	-	-	-	-	-	-	-		



**TSURUMI PUMP**
KRS - SERIES
HIGH VOLUME - DEWATERING PUMPS
SECTIONAL VIEW**KRS2-A6**

ITEM#	DESCRIPTION	MAIN MATERIAL / NOTE	ASTM, AISI CODE	RELATED DIN CODE	Q'TY
1	Power Cable	Chloroprene Sheath AWG10/4-50ft			1
6	Stuffing Box	Cast Iron	A48 Class 35	1691/GG20	1
20	Pump Casing	Cast Iron	A48 Class 35	1691/GG20	1
21	Impeller	Ductile Cast Iron	A536 Grade 100-70-03	1693/GGG70	1
22	Suction Cover	Cast Iron	A48 Class 35	1691/GG20	1
23	Suction Strainer	Carbon Steel	A109 Class 91	1624-87 St 2,3,4	1
25	Mechanical Seal	Silicon Carbide / H-35			1
	Oil Lifter	ABS Resin			1
26	Oil Seal	Nitrile Butadiene Rubber / DD-406211			1
32	Discharge Connection	Cast Iron / NPT 6"	A48 Class 35	1691/GG20	1
35	Oil Plug	Stainless Steel	AISI 304	17440 X5 CrNi 18-9	1
36	Lubricant	Turbine Oil ISO VG32 or SAE10W/20W			
49	Bottom Plate	Carbon Steel	A109 Class 91	1624-87 St 2,3,4	1
50	Motor Head Cover	Cast Iron	A48 Class 30	1691/GG15	1
52A	Upper Bearing	#6306ZZC3			1
52B	Lower Bearing	#6309ZZC3			1
53	Motor Protector				1
54	Shaft	Stainless Steel	AISI 420	17440 X20 Cr 13	1
55	Rotor				1
56	Stator				1
60	Bearing Housing	Cast Iron	A48 Class 30	1691/GG15	1
64	Motor Housing	Cast Iron	A48 Class 30	1691/GG15	1
68	Handle	Carbon Steel Pipe + Steel	A53 Type F + A283 Grade D	1615/St33 + 17100 RSt 46-2	1
71	Shaft Sleeve	Stainless Steel	AISI 403	17440 X15 Cr 13	1

PARTS LIST		HIGH VOLUME CONTRACTOR PUMP			11/8/2019	
ITEM	PART No.	DESCRIPTION	QTY	SIZE	MATERIAL	NOTES
1	001-510-30	Cabtyre Cable Set (50') 60Hz(USA)	1	2PNCTF4Cx5.5mm2	KR-2	interchangable w/OLD# 001-313-31
2	006-126-14	Stuffing Box	1	No.2	FC	included with ITEM#1 Cable Ass'y
3	140-055-10	Hex.Bolt	4	M8x25	SUS304	
4	070-107-18	Cable Clamp	1		FC	included with ITEM#1 Cable Ass'y
5	140-035-14	Hex.Bolt	2	M6x20	SUS304	included with ITEM#1 Cable Ass'y
6	008-139-16	Mould Cover	1	KR2-4	CR	included with ITEM#1 Cable Ass'y
7	010-120-18	Cable Clip	1	No.2-1	SPC	
8	010-122-10	Cable Clip Rubber	1	No.2	NBR	
9	141-004-17	Hex.Nut	1	M6	SUS304	
10	140-033-12	Hex.Bolt	1	M6x16	SUS304	
11	095-000-95	Chain	1	4mm(4L)	SS	replaces OLD# 095-131-18 (3L)
12	011-110-11	Shackle	1	6mm(M8,SC)	SS	
13	140-101-12	Hex.Bolt	4	M12x50	SUS304	
14	142-165-10	Spring Washer	4	M12	SUS304	
15	070-103-10	L-Shape Fitting	1	KT-55	SPC	
16	009-123-10	Terminal	6	P-5.5	CU	included with ITEM#1 Cable Ass'y
17	009-101-12	Terminal(C/W Screw)	3	d12x(d6.6xd6.6)x25l	C3604	
18	002-129-15	Heat Shrink Tube (Sold per meter)	m	EVA(d14x1t)	(Vm)	
19	002-132-11	Heat Shrink Tube (Sold per meter)	m	A4(d17x0.27t)	(Vm)	
20	032-254-13	Hose Coupling	1	NPT-6(KRS)	FC	
21	140-076-17	Hex.Bolt	5	M10x30	SUS304	
22	122-285-15	O-Ring	1	155xd3.1	NBR	*
23	140-100-11	Hex.Bolt	1	M12x45	SUS304	
24	142-165-10	Spring Washer	1	M12	SUS304	
25	068-159-18	Handle	1	KRS-C6/A6/8S(T)	SGP+SPC	
26	143-085-21	Pan Screw (w/Spring Washer)	1	M4x6	SWRM	
27						
28	009-130-10	Terminal	1	R-5.5-4	CU	included with ITEM#1 Cable Ass'y
29	050-364-13	Motor Bracket	1		FC	
30	122-250-11	O-Ring	1	230xd3.8	NBR	*
31	053-307-17	Motor Protector 208/230V-60Hz(USA)	1	KA314-HLFQ00	(H.C)	
31	053-241-12	Motor Protector 460V-60Hz(USA)	1	KA313-GGXL110	(H.C)	
31	053-222-17	Motor Protector 575V-60Hz(USA)	1	KA313-HRXL202	(H.C)	
32	143-125-24	Pan Screw (w/Spring Washer/Plain Washer)	2	M4x12	SWRM	
33	142-198-12	Wave Washer	1	6306	SK5	
34	052-109-14	Bearing	1	6306ZZC3		
35	058-120-19	Lead Wire Protection Plate	1	d94xd220x1.6t	Bakelite	
36	055-563-19	Rotor	1Set			

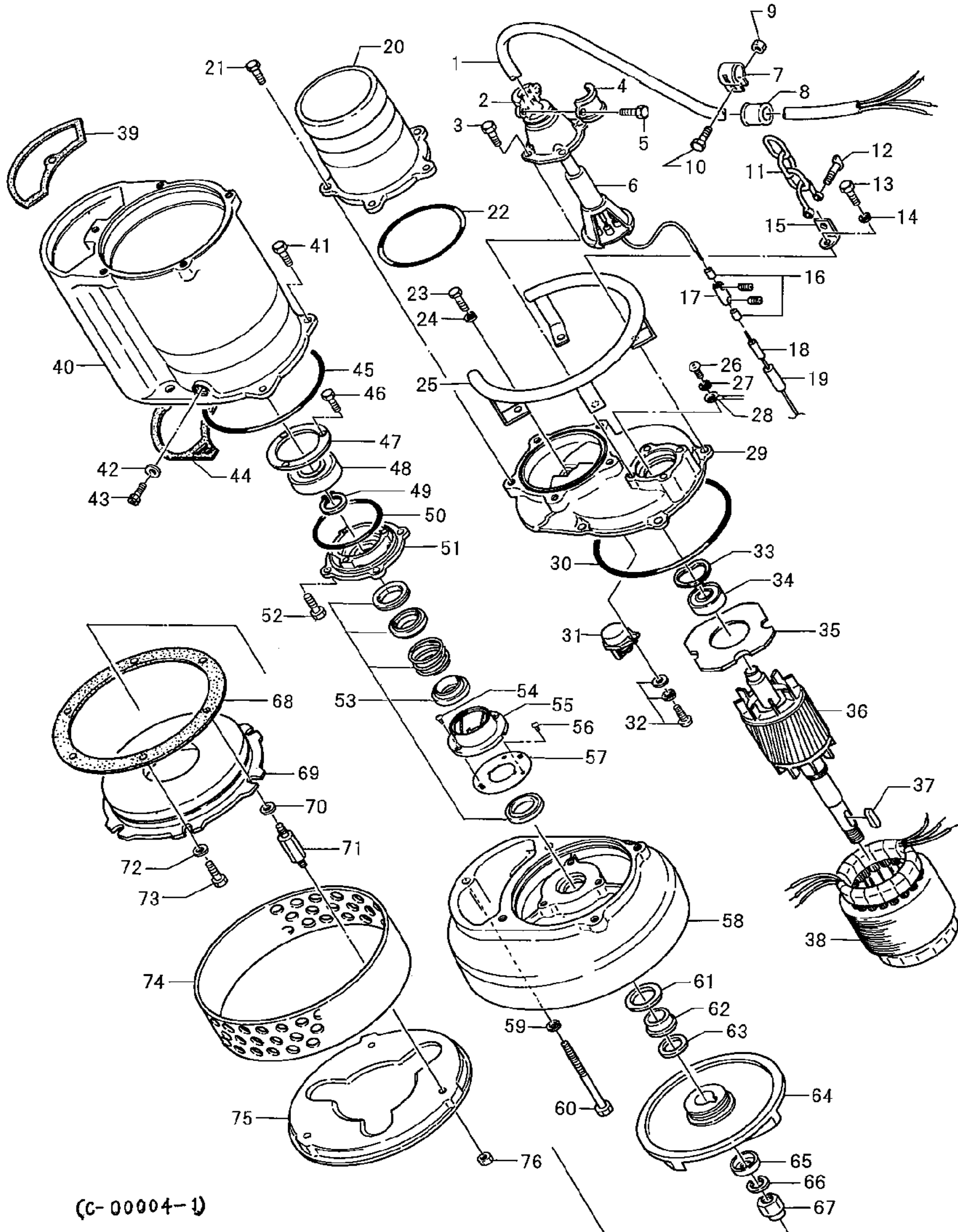
PARTS LIST		HIGH VOLUME CONTRACTOR PUMP			11/8/2019	
ITEM	PART No.	DESCRIPTION	QTY	SIZE	MATERIAL	NOTES
37	147-021-18	Impeller Key	1	8x8x44l	SUS420	
38		Stator 208/230V-60Hz(USA)	1Set			
38	056-001-95	Stator 460V-60Hz(USA)	1Set			
38		Stator 575V-60Hz(USA)	1Set			
39	121-304-18	Packing (Water Way, Upp.)	1	KRS-7.5/11(T)	NBR	*
40	064-451-11	Motor Frame	1		FC	
41	140-100-11	Hex.Bolt	4	M12x45	SUS304	
42	121-247-12	Packing	1	d12.3xd18x2t	PE	*
43	035-113-18	Oil Plug	1	M12x14	SUS304	
44	121-129-17	Packing (Water Way, Low.)	1	KRS-7.5/11	NBR	*
45	122-311-11	O-Ring	1	220xd3.5	NBR	*
46	140-029-28	Hex.Bolt	3	M6x10	SWRM	
47	062-102-18	Bearing Fixing Plate	1	d85xd125x3.2t	SS	
48	052-112-10	Bearing	1	6309ZZC3		
49	146-027-11	Retaining Ring	1	C45	SK5	
50	122-140-17	O-Ring	1	G-145(144.4xd3.1)	NBR	*
51	060-221-18	Bearing Housing	1		FC	
52	140-054-48	Hex.Bolt	4	M8x20	SWRM	
53	025-195-13	Mechanical Seal	1	H-35	SiC	
54	143-070-23	Pan Screw	2	M5x6	SWRM	
55	030-156-18	Oil Lifter	1	H-35(A)(T)	Resin	
56	143-070-10	Pan Screw	3	M5x6	SWRM	
57	030-150-12	Seal Stopper	1	H-35(A)(T)	SPCC	
58	020-380-12	Pump Casing	1	KRS-B6	FC	
59	142-165-10	Spring Washer	1	M12	SUS304	
60	140-113-17	Hex.Bolt	1	M12x120	SUS304	
61	026-123-13	Oil Seal	1	TC-406211	NBR	
62	071-128-47	Shaft Sleeve	1	KRS-7.5/11KW	SUS403	
63	040-110-24	Impeller Shim		d32.5xd58x0.3t	SUS304	
64	021-541-32	Impeller (60Hz)	1	KRS-A6	FCD	
	021-541-45	Impeller (60Hz) HiCR OPTION	1	KRS-A6	HiCR	OPTIONAL HiCR impeller
65	047-107-16	Impeller Thread Protect.Cover	1	No.6(33)	SPC	
66	142-171-19	Spring Washer	1	M30	SUS304	
67	157-010-15	Impeller Nut	1	M30,P3.5(B=41,Hex.Cap Nut)	S35C	
68	120-112-14	Packing (S.Cover)		d260xd314x0.5t	PE	
69	022-378-26	Suction Cover	1	KRS-C6/A6	FC	
70	142-129-12	Plain Washer	3	M12	SUS304	
71	144-122-24	Stud Bolt	3	M12x107(17/25)	SUS403	

PARTS LIST		HIGH VOLUME CONTRACTOR PUMP			11/8/2019	
ITEM	PART No.	DESCRIPTION	QTY	SIZE	MATERIAL	NOTES
72	142-129-12	Plain Washer	3	M12	SUS304	
73	140-097-14	Hex.Bolt	3	M12x30	SUS304	
74	023-113-11	Strainer	1	KRB-A6/B6	SPC	
75	049-115-26	Bottom Plate	1	KRS-65.5	SPC	
76	141-007-10	Hex.Nut	3	M12	SUS304	
	173-436-11	Packing O-Ring Set	1Set	(Marked by *)		
22	122-285-15	O-Ring (Hose Coupling)	1	155xd3.1	NBR	*
30	122-250-11	O-Ring (M.Bracket/M.Frame)	1	230xd3.8	NBR	*
39	121-304-18	Packing (Water Way, Upp.)	1	KRS-7.5/11(T)	NBR	*
42	121-247-12	Packing (Oil Plug)	1	d12.3xd18x2t	PE	*
44	121-129-17	Packing (Water Way, Low.)	1	KRS-7.5/11	NBR	*
45	122-311-11	O-Ring (M.Frame/P.Casing)	1	220xd3.5	NBR	*
50	122-140-17	O-Ring (M.Frame/Brg.Housing)	1	G-145(144.4xd3.1)	NBR	*
		Lubricant		Turbine Oil VG32 2,300ml		
	183-011-17	Impeller Puller		A No.6 2"	FC	

PARTS LIST		HIGH VOLUME CONTRACTOR PUMP				11/8/2019
ITEM	PART No.	DESCRIPTION	QTY	SIZE	MATERIAL	NOTES

EXPLODED VIEW

KRS2-C6/A6



(C-00004-1)



MODEL **KRS2-A6**

PARTS LIST		HIGH VOLUME CONTRACTOR PUMP					11/8/2019
ITEM	PART No.	DESCRIPTION	QTY	SIZE	MATERIAL	NOTES	