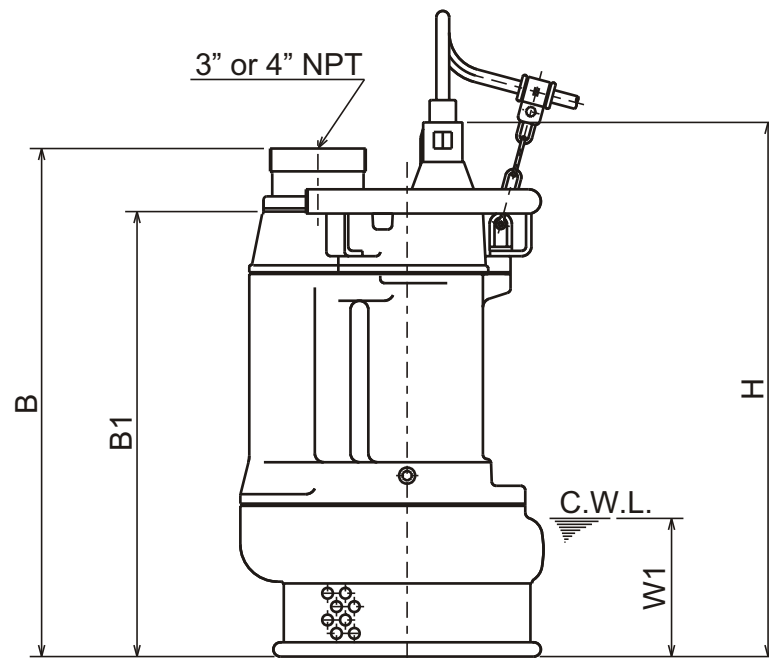


KRS2-A3
 KRS2-B3
 KRS2-A4
 KRS2-B4



C.W.L. : Continuous running Water Level

DIMENSIONS:USCS (Inch)

Model	HP	NOM. SIZE	Pump & Motor						C.W.L.	Wt. (lbs.)
			A	A1	B	B1	D	H	W1	
KRS2-A3	3	3"	13 3/8	10 1/16	22 1/16	19 5/8	12 3/8	23 5/8	5 3/4	159
KRS2-B3	5	3"	13 3/4	10 1/4	25 3/8	23	12 5/8	26 15/16	6 1/8	196
KRS2-A4	5	4"	13 3/4	10 1/4	26 3/8	23	12 5/8	26 15/16	6 1/8	194
KRS2-B4	7.5	4"	13 3/4	10 1/4	26	22 5/8	12 5/8	26 9/16	6 1/8	209

DIMENSIONS:METRIC (mm)

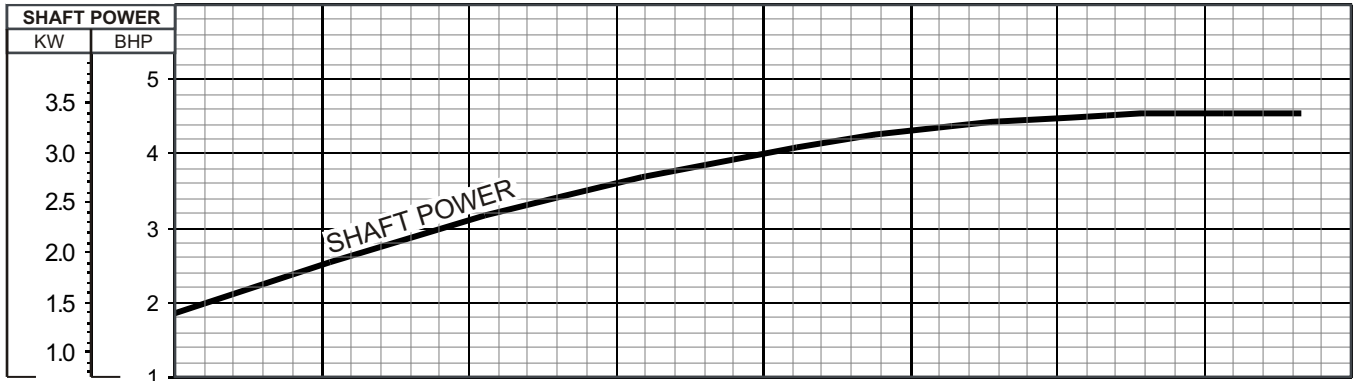
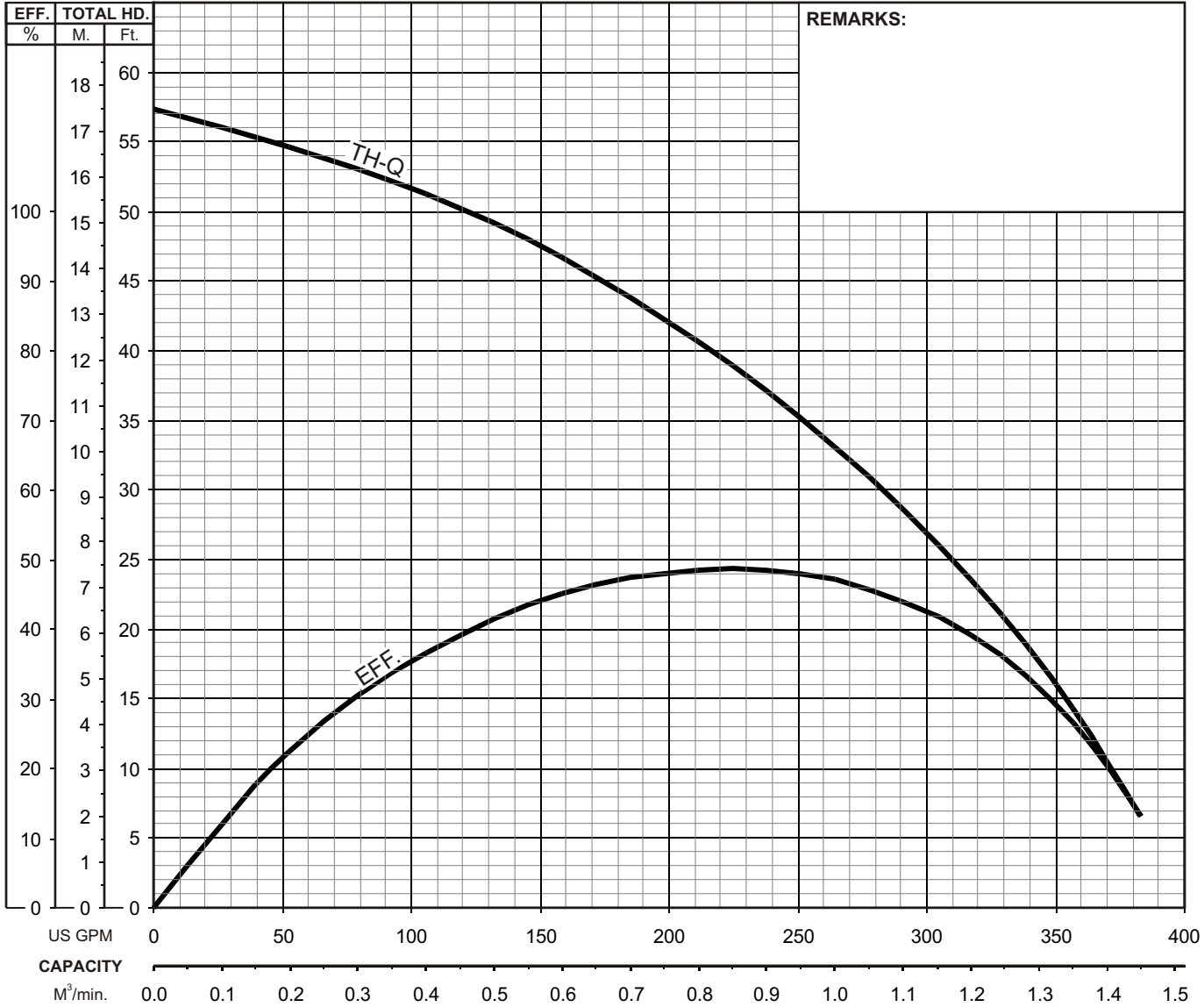
Model	kW	NOM. SIZE	Pump & Motor						C.W.L.	Wt. (kg)
			A	A1	B	B1	D	H	W1	
KRS2-A3	2.2	80	340	255	560	499	315	600	145	72
KRS2-B3	3.7	80	350	260	645	584	320	685	155	89
KRS2-A4	3.7	100	350	260	670	584	320	685	155	88
KRS2-B4	5.5	100	350	260	660	574	320	675	155	95

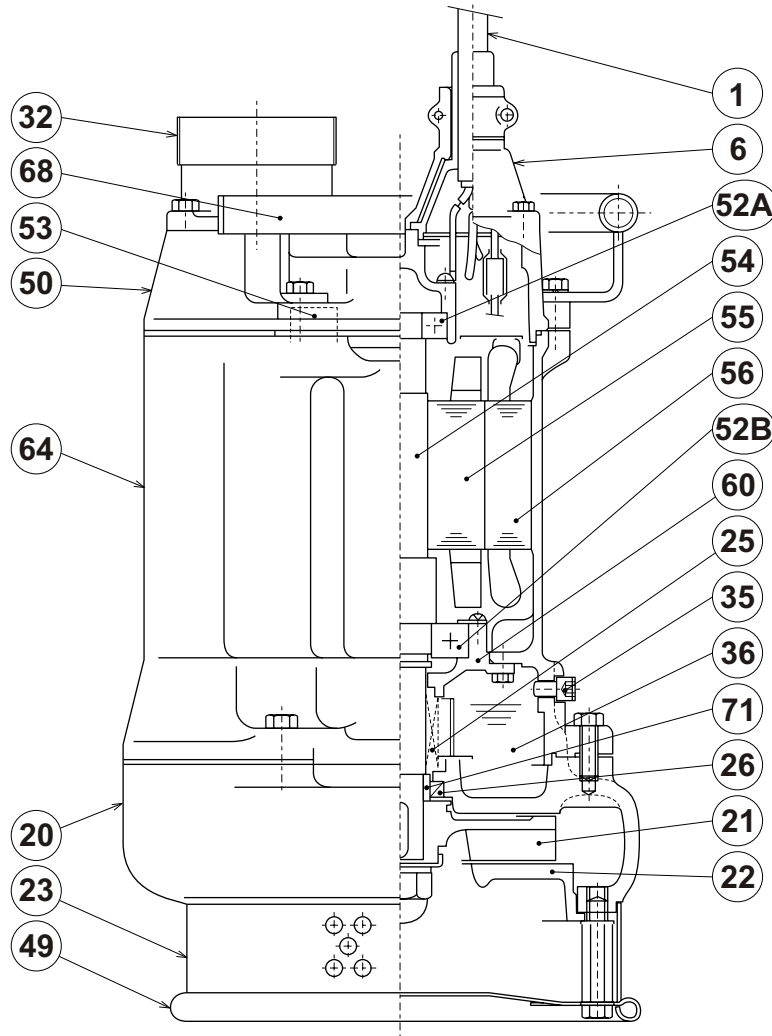


KRS - SERIES HIGH VOLUME - DEWATERING PUMPS

PERFORMANCE CURVE

MODEL	BORE	HP	KW	RPM	SOLIDS DIA	LIQUID	SG.	VISCOSITY	TEMP.
KRS2-B3	3"/80mm	5	3.7	1690	0.472"/12mm	Water	1.0	1.123 cSt	60°F
PUMP TYPE	PHASE	VOLTAGE	AMPERAGE		HZ	STARTING METHOD	INS. CLASS		
High Volume - Dewatering Pump	3	208-230/460/575	15.0 - 13.8 / 6.9 / 5.5		60	Direct On Line	E		
CURVE No.	DATE	PHASE	VOLTAGE	AMPERAGE	HZ	STARTING METHOD	INS. CLASS		
-	-	-	-	-	-	-	-		



KRS2-B3
KRS2-A4


ITEM#	DESCRIPTION	MAIN MATERIAL / NOTE	ASTM, AISI CODE	RELATED DIN CODE	Q'TY
1	Power Cable	Chloroprene Sheath AWG14/4-50ft			1
6	Stuffing Box	Cast Iron	A48 Class 35	1691/GG20	1
20	Pump Casing	Cast Iron	A48 Class 35	1691/GG20	1
21	Impeller	Ductile Cast Iron	A536 Grade 100-70-03	1693/GGG70	1
22	Suction Cover	Cast Iron	A48 Class 35	1691/GG20	1
23	Suction Strainer	Carbon Steel	A109 Class 91	1624-87 St 2,3,4	1
25	Mechanical Seal	Silicon Carbide / H-30			1
	Oil Lifter	ABS Resin			1
26	Oil Seal	Nitrile Butadiene Rubber / DD-355511			1
32	Discharge Connection	Cast Iron / NPT 3" or 4"	A48 Class 35	1691/GG20	1
35	Oil Plug	Stainless Steel	AISI 304	17440 X5 CrNi 18-9	1
36	Lubricant	Turbine Oil ISO VG32 or SAE10W/20W			
49	Bottom Plate	Carbon Steel	A109 Class 91	1624-87 St 2,3,4	1
50	Motor Head Cover	Cast Iron	A48 Class 30	1691/GG15	1
52A	Upper Bearing	#6305ZZC3			1
52B	Lower Bearing	#6307ZZC3			1
53	Motor Protector				1
54	Shaft	Stainless Steel	AISI 420	17440 X20 Cr 13	1
55	Rotor				1
56	Stator				1
60	Bearing Housing	Cast Iron	A48 Class 30	1691/GG15	1
64	Motor Housing	Cast Iron	A48 Class 30	1691/GG15	1
68	Handle	Carbon Steel Pipe + Steel	A53 Type F + A283 Grade D	1615/St33 + 17100 RSt 46-2	1
71	Shaft Sleeve	Stainless Steel	AISI 403	17440 X15 Cr 13	1

PARTS LIST		HI-VOLUME DEWATERING PUMP			11/8/2019	
ITEM	PART No.	DESCRIPTION	QTY	SIZE	MATERIAL	NOTES
1	001-508-35	Cabtyre Cable Set (50') 60Hz(USA)	1	2PNCTF4Cx2mm2	KR-2	interchangable w/OLD# 001-311-39
2	070-107-18	Cable Clamp	1		FC	included in ITEM#1 Cable Ass'y
3	140-035-14	Hex.Bolt	2	M6x20	SUS304	included in ITEM#1 Cable Ass'y
4	006-126-14	Stuffing Box	1	No.2	FC	included in ITEM#1 Cable Ass'y
5	140-055-10	Hex.Bolt	4	M8x25	SUS304	
6	008-142-12	Mould Cover	1	KR2-7	CR	included in ITEM#1 Cable Ass'y
7	141-004-17	Hex.Nut	1	M6	SUS304	
8	010-120-18	Cable Clip	1	No.2-1	SPC	
9	010-124-15	Cable Clip Rubber	1	No.3	NBR	
10	011-110-11	Shackle	1	6mm(M8,SC)	SS	
11	140-081-15	Hex.Bolt	4	M10x50	SUS304	
12	142-164-19	Spring Washer	4	M10	SUS304	
13	142-128-24	Plain Washer	1	M10	SPC	
14	095-000-95	Chain	1	4mm(4L)	SS	replaces OLD# 095-131-18 (3L)
15	070-103-10	L-Shape Fitting	1	KT-55	SPC	
16	140-032-11	Hex.Bolt	1	M6x15	SUS304	
17	002-129-15	Heat Shrink Tube (Sold per meter)	m	EVA(d14x1t)	(Vm)	
17	002-132-11	Heat Shrink Tube (Sold per meter)	m	A4(d17x0.27t)	(Vm)	
18	053-241-12	Motor Protector 208-230V-60Hz(USA)	1	KA313-GGXL110	(H.C)	
	053-254-18	Motor Protector 460V-60Hz(USA)	1	KA313-GCXL103	(H.C)	
	053-35712	Motor Protector 575V-60Hz(USA)	1	KA313-GBYL-102	(H.C)	can use 053-394-11
19	143-016-18	Pan Screw(w/Spring Washer/Plain Washer)	2	M4x12	SWRM	
20	009-126-13	Terminal	3	1.25mm2/2mm2	Nylon	included in ITEM#1 Cable Ass'y
21	143-013-15	Pan Screw	1	M4x6	SWRM	
22	142-160-31	Spring Washer	2	M4	SWRH	
23	009-116-10	Terminal	1	R-2-4	CU	included in ITEM#1 Cable Ass'y
24	050-362-11	Motor Bracket	1		FC	
25	142-197-11	Wave Washer	1	6305	SK5	
26	052-108-13	Bearing	1	6305ZZC3		
27	058-161-12	Lead Wire Protection Plate	1	d80xd140x1.6t	Bakelite	
28	055-561-17	Rotor	1Set			
29	147-019-13	Impeller Key	1	7x7x32l	SUS420	
30	140-076-17	Hex.Bolt	4	M10x30	SUS304	
31	032-161-12	Hose Coupling 3" NPT	1	P.C.133 (NPT-3)	FC	
	032-162-13	Hose Coupling 4" NPT	1	P.C.133 (NPT-4)	FC	OPTION
32	122-132-16	O-Ring	1	G-105(104.4xd3.1)	NBR	*
33	068-185-13	Handle	1	KRS-2.2/5.5KW(T)	SGP+SS	
34	122-285-15	O-Ring	1	155xd3.1	NBR	*

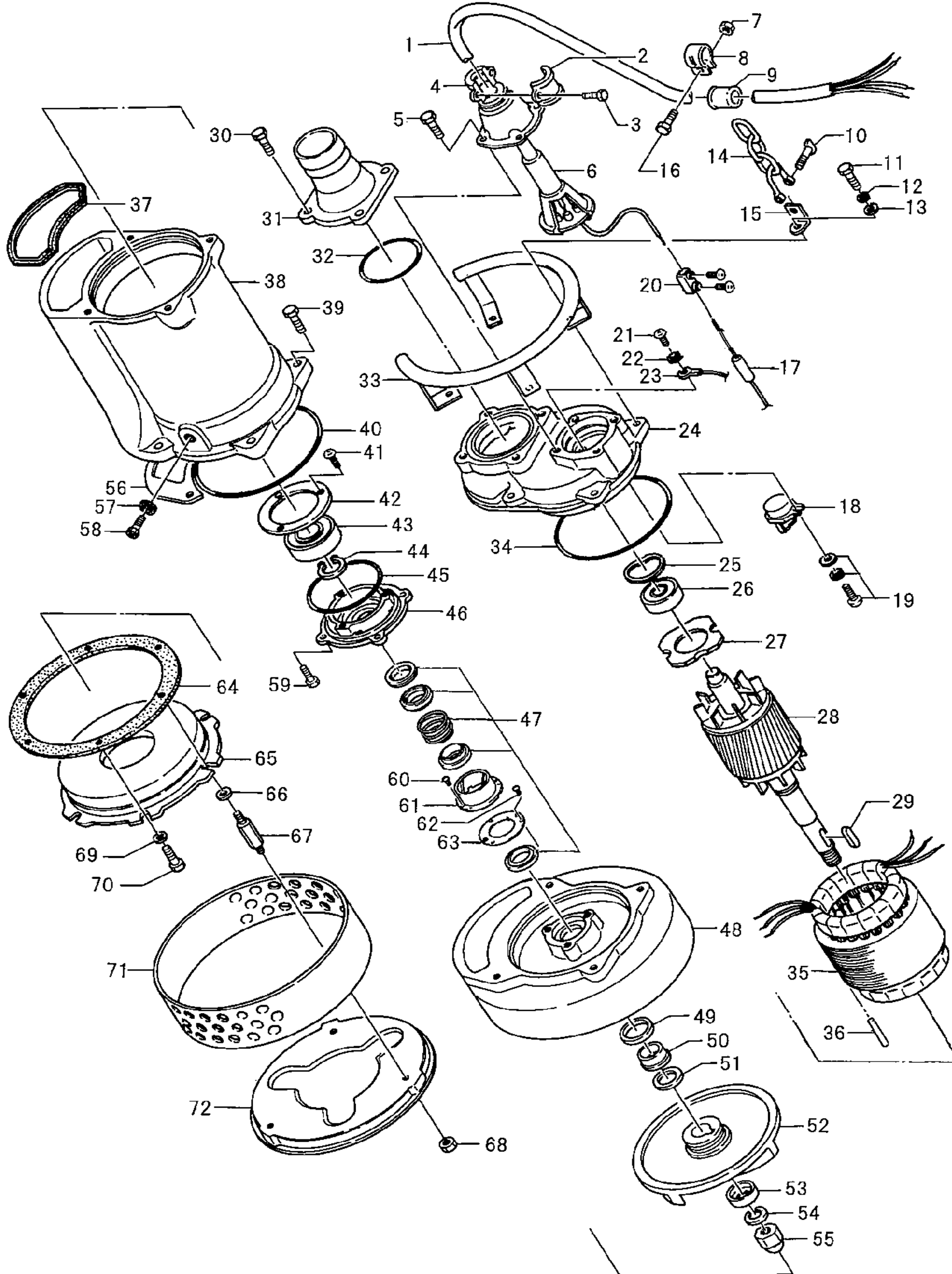
PARTS LIST		HI-VOLUME DEWATERING PUMP			11/8/2019	
ITEM	PART No.	DESCRIPTION	QTY	SIZE	MATERIAL	NOTES
35		Stator 230V-60Hz(USA)				
35	056-001-93	Stator 460V-60Hz(USA)	1Set			
35		Stator 575V-60Hz(USA)				
36	145-022-13	Taper Pin	1	d6x40	S45C	
37	121-302-16	Packing (Water Way, Upp.)	1	KRS-2.2(T)	NBR	*
38	064-442-19	Motor Frame	1		FC	
39	140-099-16	Hex.Bolt	4	M12x40	SUS304	
40	122-310-10	O-Ring	1	200xd3.5	NBR	*
41	143-042-13	Pan Screw	3	M6x10	SWRM	
42	062-219-19	Bearing Cover	1	P.C.94xd70x2.3t	SPCC	
43	052-110-18	Bearing	1	6307ZZC3		
44	146-022-16	Retaining Ring	1	C35	SK5	
45	122-134-18	O-Ring	1	G-115(114.4xd3.1)	NBR	*
46	060-271-13	Bearing Housing	1		FC	
47	025-194-12	Mechanical Seal	1	H-30	SiC	
48	020-379-18	Pump Casing (for B3)	1	KRS-B3	FC	
49	026-109-13	Oil Seal	1	TC-355511	NBR	
50	071-127-46	Shaft Sleeve	1	KRS-3.7/5.5KW	SUS403	
51	040-109-20	Impeller Shim		d27.5xd52x0.3t	SUS304	
52	021-535-33	Impeller (60Hz)	1	KRS-B3	FCD	
	021-535-46	Impeller (60Hz) HiCR OPTION	1	KRS-B3	HiCR	OPTIONAL HiCR impeller
53	047-106-15	Impeller Thread Protect.Cover	1	No.5(26)	SPC	
54	142-170-21	Spring Washer	1	M24	SWRH	
55	157-006-18	Impeller Nut	1	M24,P3(B=35,Hex.Cap Nut)	S35C	
56	121-128-16	Packing (Water Way, Low.)	1	KRS-3.7/5.5	NBR	*
57	121-247-12	Packing	1	d12.3xd18x2t	PE	*
58	035-113-18	Oil Plug	1	M12x14	SUS304	
59	140-054-48	Hex.Bolt	4	M8x20	SWRM	
60	143-070-23	Pan Screw	2	M5x6	SWRM	
61	030-142-11	Oil Lifter	1	H-30(A)(T)	Resin	
62	143-070-10	Pan Screw	3	M5x6	SWRM	
63	030-151-13	Seal Stopper	1	H-30(A)(T)	SPCC	
64	120-129-14	Packing (S.Cover)		d230xd288x0.5t	PE	
65	022-366-21	Suction Cover (for B3)	1	KRS-B3	FC	
66	142-129-25	Plain Washer	3	M12	SPC	
67	144-121-23	Stud Bolt	3	M12x86(16/20)	SUS403	
68	141-007-10	Hex.Nut	3	M12	SUS304	
69	142-129-25	Plain Washer	3	M12	SPC	

PARTS LIST		HI-VOLUME DEWATERING PUMP				11/8/2019
ITEM	PART No.	DESCRIPTION	QTY	SIZE	MATERIAL	NOTES
70	140-096-13	Hex.Bolt	3	M12x25	SUS304	
71	023-212-11	Strainer (for B3)	1	KRS-B3/B4	SPC	
72	049-134-18	Bottom Plate (for B3)	1	KRS-C4/A4	SPC	
	173-434-19	Packing O-Ring Set	1Set	(Marked by *)		
32	122-132-16	O-Ring (Hose Coupling)	1	G-105(104.4xd3.1)	NBR	*
34	122-285-15	O-Ring (M.Bracket/M.Frame)	1	155xd3.1	NBR	*
37	121-302-16	Packing (Water Way, Upp.)	1	KRS-2.2(T)	NBR	*
40	122-310-10	O-Ring (M.Frame/P.Casing)	1	200xd3.5	NBR	*
45	122-134-18	O-Ring (M.Frame/Brg.Housing)	1	G-115(114.4xd3.1)	NBR	*
56	121-128-16	Packing (Water Way, Low.)	1	KRS-3.7/5.5	NBR	*
57	121-247-12	Packing (Oil Plug)	1	d12.3xd18x2t	PE	*
		Lubricant		Turbine Oil VG32 1,850ml		
	183-010-16	Impeller Puller		A No.5 1"1/2"	FC	

PARTS LIST		HI-VOLUME DEWATERING PUMP		11/8/2019		
ITEM	PART No.	DESCRIPTION	QTY	SIZE	MATERIAL	NOTES

EXPLODED VIEW

KRS2-D3/B3
KRS2-C4/A4



* Indicates items included in set