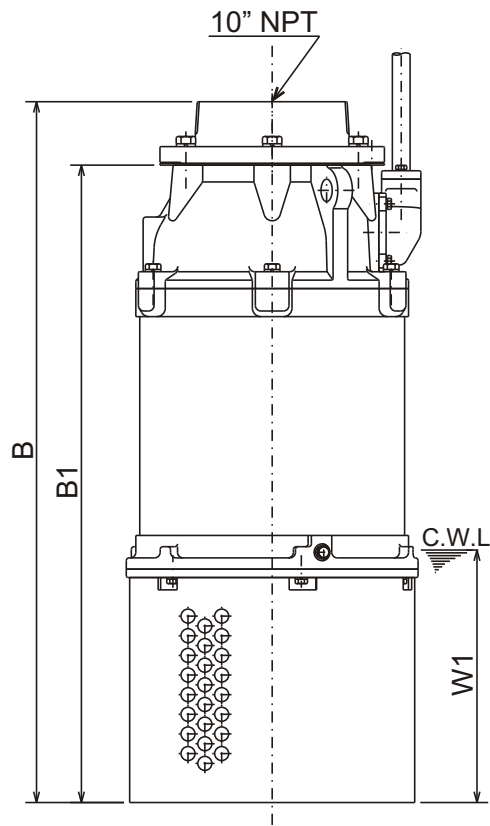
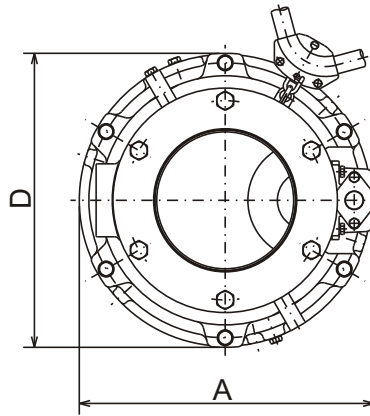




KRS - SERIES
HIGH VOLUME - DEWATERING PUMPS

DIMENSIONS

KRS1022-61



C.W.L. : Continuous running Water Level

DIMENSIONS: USCS (Inch)

Model	HP	NOM. SIZE	Pump & Motor				C.W.L.	*Wt. (lbs.)
			A	B	B1	D	W1	
KRS1022-61	30	10"	20 5/8	49 1/8	44 3/4	20 5/8	17 3/4	860

DIMENSIONS: METRIC (mm)

*Excluding Cable

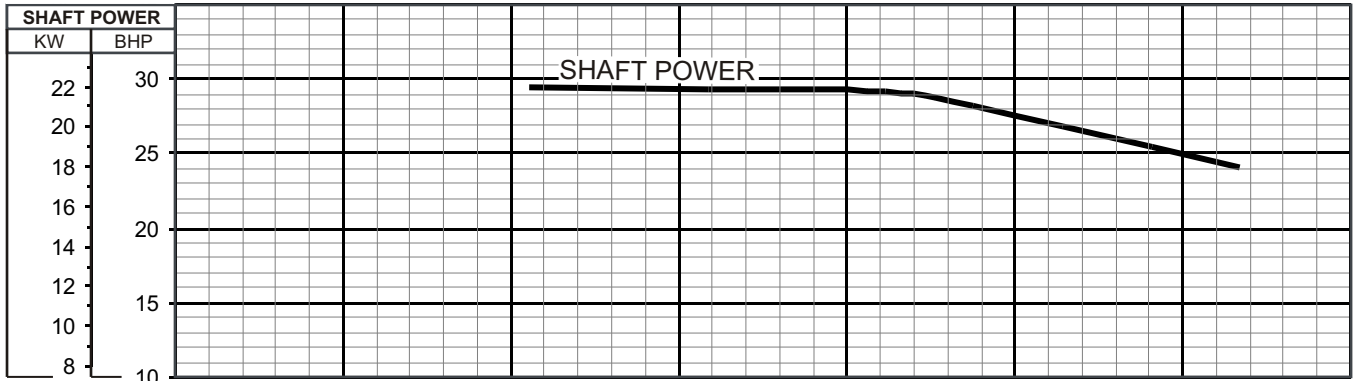
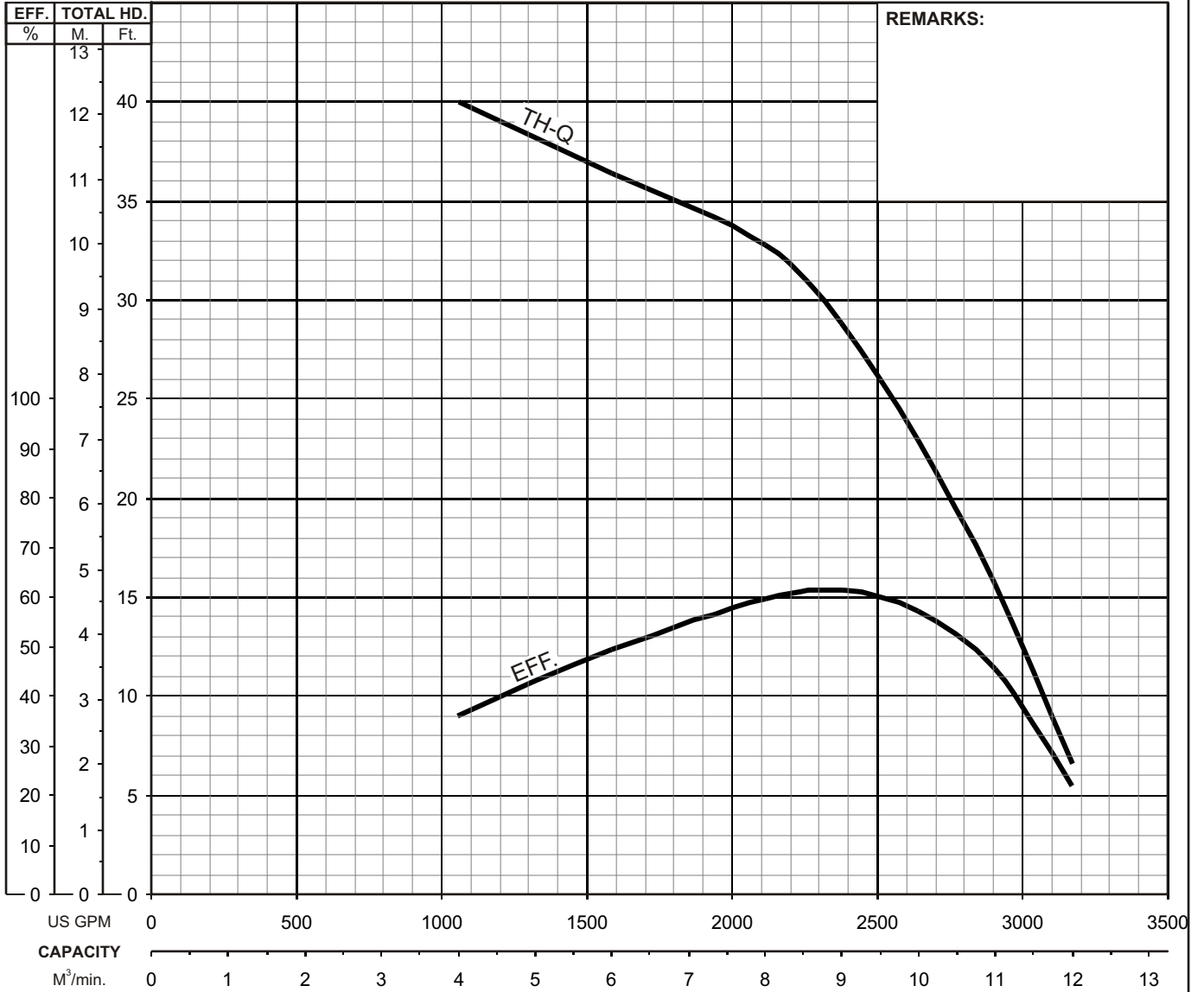
Model	kW	NOM. SIZE	Pump & Motor				C.W.L.	*Wt. (kg)
			A	B	B1	D	W1	
KRS1022-61	22	250	524	1249	1136	525	450	390



KRS - SERIES HIGH VOLUME - DEWATERING PUMPS

PERFORMANCE CURVE

MODEL		BORE	HP	KW	RPM	SOLIDS DIA	LIQUID	SG.	VISCOSITY	TEMP.
KRS1022-61		10"/250mm	30	22	1730	0.984"/25mm	Water	1.0	1.123 cSt.	60°F
PUMP TYPE		PHASE	VOLTAGE		AMPERAGE		HZ	STARTING METHOD		INS. CLASS
High Volume - Dewatering Pump		3	460 / 575		39.6 / 31.5		60	Direct On Line		F
CURVE No.	DATE	PHASE	VOLTAGE	AMPERAGE	HZ	STARTING METHOD		INS. CLASS		
-	-	-	-	-	-	-		-		

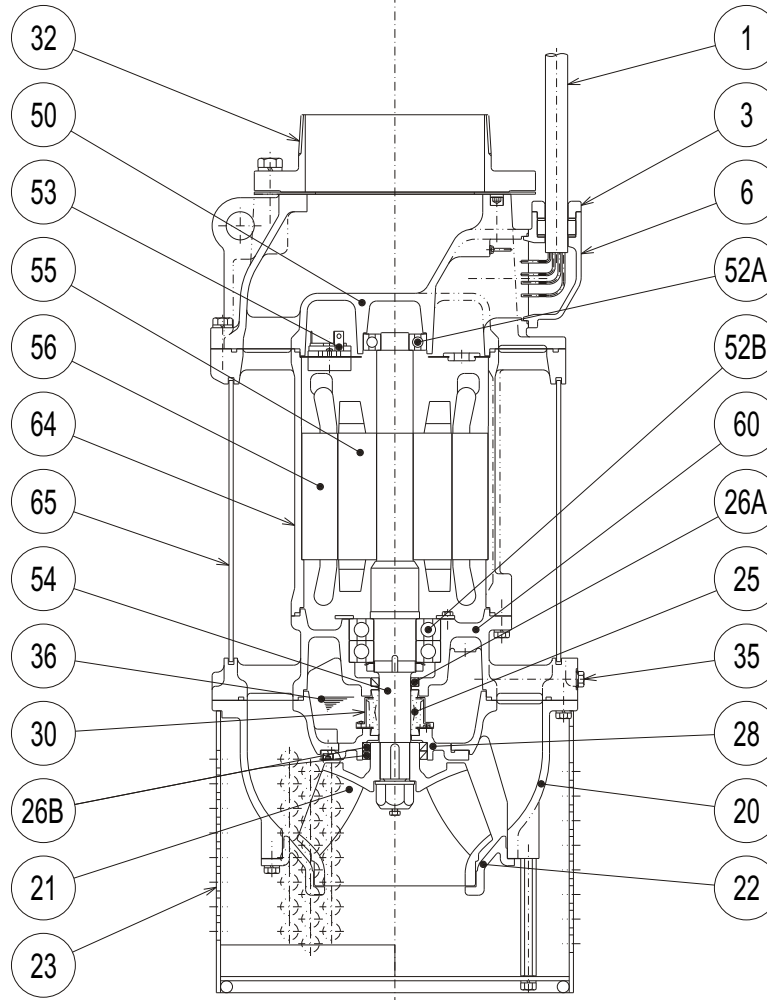




KRS - SERIES
HIGH VOLUME - DEWATERING PUMPS

SECTIONAL VIEW

KRS1022-61



ITEM#	DESCRIPTION	MAIN MATERIAL / NOTE	ASTM, AISI CODE	RELATED DIN CODE	Q'TY
1	Power Cable	Chloroprene Sheath AWG6/4-50ft			1
3	Gland	Cast Iron	A48M Class30B	EN 1561 GJL-200	1
6	Stuffing Box	Cast Iron	A48M Class30B	EN 1561 GJL-200	1
20	Pump Casing	Cast Iron	A48M Class30B	EN 1561 GJL-200	1
21	Impeller	Ductile Cast Iron	A536 100-70-03	EN 1563 GJS-700-2	1
22	Suction Cover	Cast Iron	A48M Class30B	EN 1561 GJL-200	1
23	Suction Strainer	Steel (Cold Rolled)	A109/A1008	EN 10130	1
25	Mechanical Seal	Silicon Carbide / H-45			1
26A	Oil Seal	NBR / TC-456812			1
26B	Oil Seal	NBR / TC-709212			2
28	Seal Housing	Cast Iron	A48M Class30B	EN 1561 GJL-200	1
30	Oil Lifter	PBT Plastic W/(GF+MD)40			1
32	Discharge Connection	Cast Iron / NPT 10"	A48M Class30B	EN 1561 GJL-200	1
35	Oil Plug	Stainless Steel	S 30400	1.4301	3
36	Lubricant	Turbine Oil ISO VG32 or SAE 10W-20			
50	Motor Bracket	Cast Iron	A48M Class30B	EN 1561 GJL-200	1
52A	Upper Bearing	#6308ZZC3			1
52B	Lower Bearing	#6312ZZD2C3			1
53	Motor Protector				1
54	Shaft	Stainless Steel	S 42000	1.4028	1
55	Rotor				1
56	Stator				1
60	Bearing Housing	Cast Iron	A48M Class30B	EN 1561 GJL-200	1
64	Motor Housing	Cast Iron	A48M Class30B	EN 1561 GJL-200	1
65	Outer Cover	Steel	A283 Grade D	EN 10025 S275	1

PARTS LIST		CONTRACTOR PUMPS				9/30/2016
ITEM	PART No.	DESCRIPTION	QTY	SIZE	MATERIAL	NOTES
1	011-101-19	Shackle	1	6mm (M8)	SS400	
2	141-004-17	Nut	3	M6	SUS304	
3	010-101-16	Cable Clip	2	No.3	SPC	
3-1	010-128-19	Cable Clip Rubber	1	75x80x2t	NBR	
4	140-035-14	Bolt	3	M6x20	SUS304	
5	001-235-12	Power Cable 50'	1	AWG6/4 x 50'	2PNCT.F	
6	140-078-19	Bolt	2	M10x35	SUS304	
7	142-164-19	Spring Washer	2	M10	SUS304	
8	003-000-20	Gland	1	KRS1022/SHD	FC200	
9	005-103-12	Bushing Washer	2	d29xD53.5x3.2t	SPC	
10	004-110-19	Cable Bushing	1	No.6, Industrial (d27xD54x25L)	SBR	
11	006-000-45	Stuffing Box	1	KRS1022/SHD	FC200	
12	122-135-19	O-Ring (Stuffing Box)	1	G-120	NBR	*
13	140-076-17	Bolt	4	M10x30	SUS304	
14	142-164-19	Spring Washer	4	M10	SUS304	
15	143-041-12	Pan Screw	1	M6x8	SWRM3	
16	009-107-18	Terminal (Solderless)	4	R-14-6	CU	
17	009-107-18	Terminal (Solderless)	3	R-14-6	CU	
18	140-029-28	Bolt	3	M6x10	SWRM3	
19	141-004-59	Nut	3	M6	SWRM3	
20	002-115-18	Heat Shrink Tube	1	EVA(d16.5x1t)	\$/3.2ft	
21	002-116-19	Heat Shrink Tube	1	A4(d19x0.35t)	\$/3.2ft	
22	140-153-35	Bolt	6	M20x75 (All Thread)	SUS304	
23	142-168-13	Spring Washer	6	M20	SUS304	
24	032-388-17	Hose Coupling NPT 10"	1	NPT-10" (JIS10K)	FC200	
25	121-110-28	Gasket (Hose Coupling)	1	JIS10K x 250mm	NR	*
26	035-113-18	Vacuum Test Plug (Oil Plug)	1	M12x14 (Socket Bolt, J=10)	SUS304	
27	121-247-12	Gasket (Vacuum Test Plug)	1	d11.8xD18x2t	PE-sheet	*
28	072-100-20	Lifting Eye Bolt	1	M10	SUS304	
29	050-001-09	Motor Bracket	1	KRS1022-51/61	FC200	
30	140-128-15	Bolt	6	M16x60	SUS304	
31	142-166-11	Spring Washer	6	M16	SUS304	
32	122-158-18	O-Ring (M.Bracket/M.Frame)	1	G-270	NBR	*
33	142-000-83	Wave Washer	1	#6308, d74.5xD86.5x6H, 0.9T	SK-5	
34	052-111-35	Ball Bearing (Upper)	1	6308ZZC3 (SRL Grease)		
35	143-032-10	Pan Screw	2	M5x16	SWRM3	
36	142-112-25	Washer	2	M5 (N, D=10)	SPC	
37	053-276-16	Motor Protector 380/440/460V-60HZ	1	KA315-JLDL00 (B.C)		

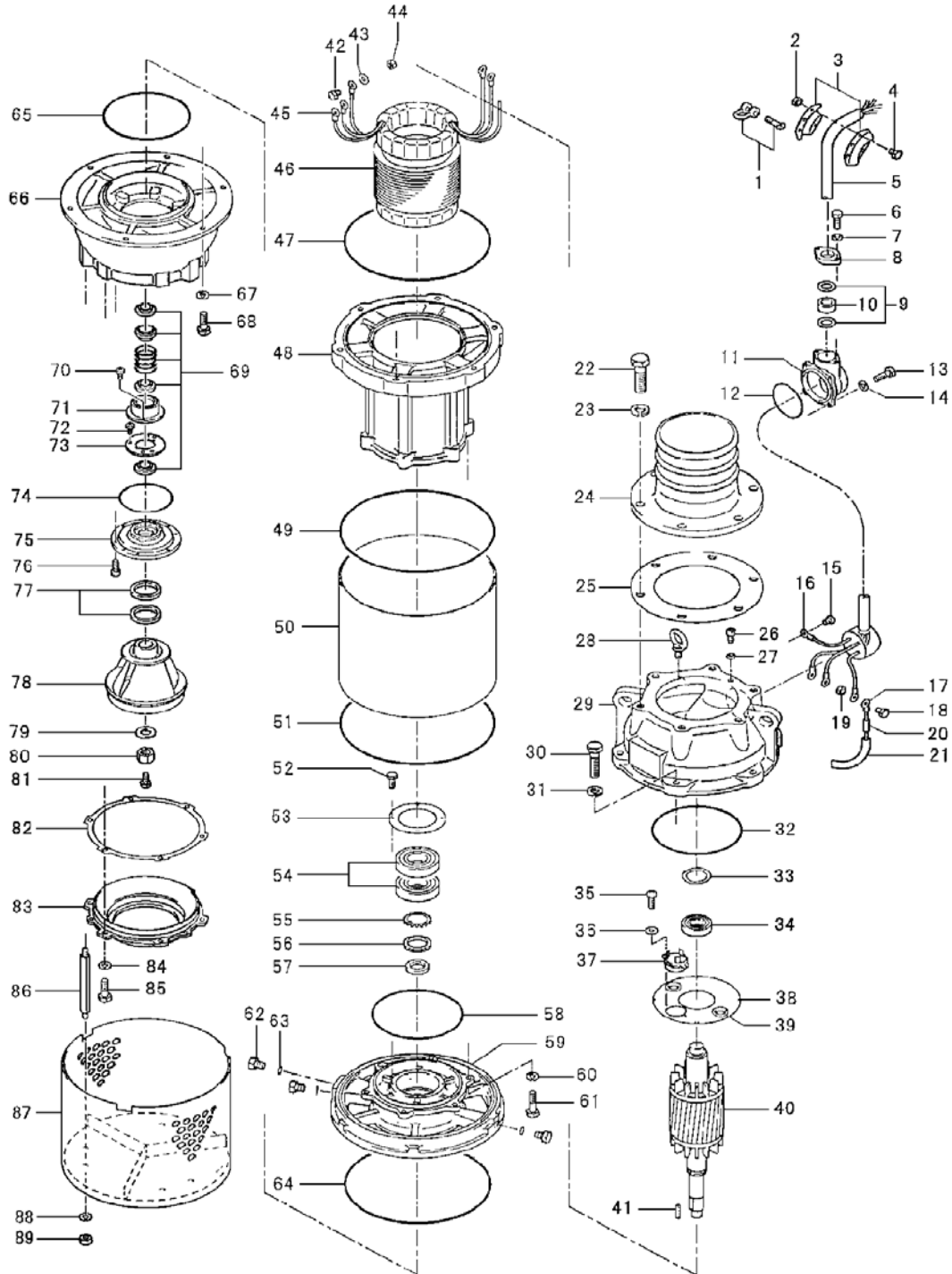
PARTS LIST		CONTRACTOR PUMPS				9/30/2016
ITEM	PART No.	DESCRIPTION	QTY	SIZE	MATERIAL	NOTES
37	053-303-13	Motor Protector 575V-60HZ	1	KA315-JNZL00 (B.C)		
38	058-000-41	Lead Wire Prot. Plate 400V & 500V class	1	KRS1022-51/61 (d95xD270x1.0t), (KA315(B.C.C))	SPCC	
39	016-000-04	Lead Wire Prot. Bush	2	d21xD52x11t	SBR	
40	055-002-81	Rotor and Shaft	1	KRS1022-51/61		
41	147-057-13	Key	1	12x8x50L (R/C)	SUS420J2	
42	140-030-35	Bolt	3	M6x12	SWRM3	
43	142-000-30	Spring Washer	3	M6	SWRM3	
44	141-004-59	Nut	3	M6	SWRM3	
45	009-107-18	Terminal (Solderless)	3	R-14-6	CU	
46	056-	Stator 380/440/460V-60HZ	1	KRS1022-51/61 (380/420-50, 380/460-60)		
46	056-	Stator 575V-60HZ	1	KRS1022-51/61 (500/525-50, 575-60)		
47	122-000-55	O-Ring (M.Bracket/M.Frame)	1	450xd5.7	NBR	*
48	064-001-23	Motor Frame	1	KRS1022-51/61	FC200	
49	122-000-56	O-Ring (M.Frame/Out.Cover)	1	455xd5.7	NBR	*
50	065-000-62	Outer Cover	1	KRS1022-51/61 (d460x6Tx400L)	SS400	
51	122-000-56	O-Ring (M.Frame/Out.Cover)	1	455xd5.7	NBR	*
52	140-054-48	Bolt	4	M8x20	SWRM3	
53	062-000-16	Bearing Cover	1	#6312, P.C.150, d118xD170x4.5T	SS400	
54	052-143-23	Ball Bearing (Lower)	1set	6312ZZD2C3 (SRL Grease)		
55	142-245-15	Bearing Washer	1	AW12	SPCC	
56	141-077-11	Bearing Nut	1	AN12	SS400	
57	026-111-18	Oil Seal	1	TC-456812	NBR	
58	122-158-18	O-Ring (M.Frame/B.Housing)	1	G-270	NBR	*
59	060-001-75	Bearing Housing	1	KRS1022-51/61	FC200	
60	142-165-10	Spring Washer	6	M12	SUS304	
61	140-100-11	Bolt	6	M12x45	SUS304	
62	035-102-30	Oil Plug	3	M12x16 (Bolt, S=21)	SUS304	
63	122-259-10	O-Ring (Oil Plug)	3	12xd3	NBR	*
64	122-312-12	O-Ring (B.Housing/P.Casing)	1	430xd5.7	NBR	*
65	122-348-17	O-Ring (B.Housing/P.Casing)	1	255xd5.7	NBR	*
66	020-535-14	Pump Casing	1	KRS-10M	FC200	
67	142-165-10	Spring Washer	6	M12	SUS304	
68	140-099-16	Bolt	6	M12x40	SUS304	
69	025-197-15	Mechanical Seal	1	H-45	SiC	
70	143-070-23	Pan Screw	2	M5x6, w/ Scotch Grip	SWRM3	
71	030-140-19	Oil Lifter	1	H-45	PBT+GF/MD40	
72	143-070-10	Pan Screw	3	M5x6	SWRM3	
73	030-149-18	Seal Stopper	1	H-40/45	SPCC	

PARTS LIST		CONTRACTOR PUMPS				9/30/2016
ITEM	PART No.	DESCRIPTION	QTY	SIZE	MATERIAL	NOTES
74	122-330-16	O-Ring (P.Casing/Seal Housing)	1	155xd3.8	NBR	*
75	028-123-19	Seal Housing	1	KRS-10M	FC200	
76	140-268-18	Socket Bolt	6	M8x20	SUS304	
77	026-117-14	Oil Seal	2	TC-709212	NBR	
78	021-824-16	Impeller	1	KRS-10M-60Hz	FCD700-H	60Hz
79	142-134-23	Washer	1	M30	SPC	
80	157-002-14	Impeller Nut	1	M30, P3.5	SS400	
81	140-052-17	Bolt	1	M8x16	SUS304	
82	120-103-12	Gasket (S.Cover)		d301xD328x0.3t	PE-sheet	
83	022-527-19	Suction Cover	1	KRS-10M	FC200	
84	142-165-10	Spring Washer	6	M12	SUS304	
85	140-098-15	Bolt	6	M12x35	SUS304	
86	144-127-29	Stud Bolt	3	M12x207 (20/20)	SUS403	
87	023-000-49	Suction Strainer	1	KRS-10M (New)	SS400	
88	142-165-10	Spring Washer	3	M12	SUS304	
89	141-007-10	Nut	3	M12	SUS304	
	173-003-18	Gasket O-Ring Set	1set	(*)		
12	122-135-19	O-Ring (Stuffing Box)	1	G-120	NBR	*
25	121-110-28	Gasket (Hose Coupling)	1	JIS10K x 250mm	NR	*
27	121-247-12	Gasket (Vacuum Test Plug)	1	d11.8xD18x2t	PE-sheet	*
32	122-158-18	O-Ring (M.Bracket/M.Frame)	1	G-270	NBR	*
47	122-000-55	O-Ring (M.Bracket/M.Frame)	1	450xd5.7	NBR	*
49	122-000-56	O-Ring (M.Frame/Out.Cover)	1	455xd5.7	NBR	*
51	122-000-56	O-Ring (M.Frame/Out.Cover)	1	455xd5.7	NBR	*
58	122-158-18	O-Ring (M.Frame/B.Housing)	1	G-270	NBR	*
63	122-259-10	O-Ring (Oil Plug)	3	12xd3	NBR	*
64	122-312-12	O-Ring (B.Housing/P.Casing)	1	430xd5.7	NBR	*
65	122-348-17	O-Ring (B.Housing/P.Casing)	1	255xd5.7	NBR	*
74	122-330-16	O-Ring (P.Casing/Seal Housing)	1	155xd3.8	NBR	*
		Lubricant		Turbine Oil#32 4,000 mL (135 floz)	(SAE 10W-20)	

PARTS LIST		CONTRACTOR PUMPS				9/30/2016
ITEM	PART No.	DESCRIPTION	QTY	SIZE	MATERIAL	NOTES

EXPLODED VIEW

KRS1022-51/61



C-01487-1