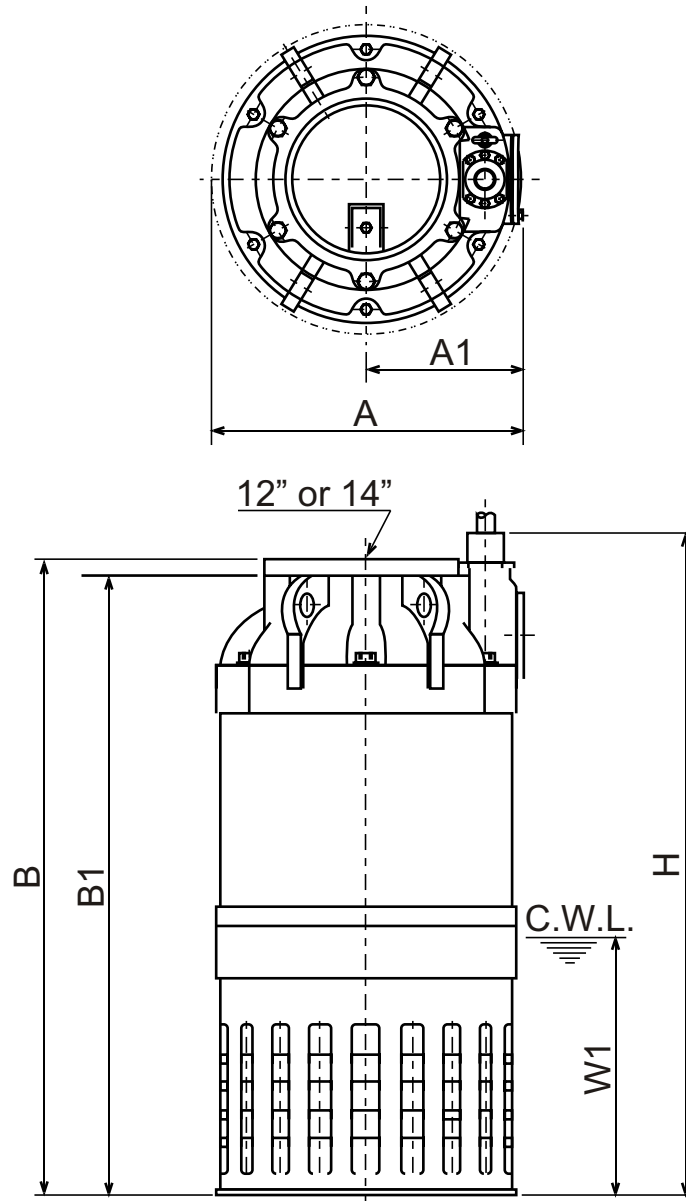




**KRS - SERIES**  
HIGH VOLUME - DEWATERING PUMPS

**DIMENSIONS**

**KRS-1230**  
**KRS-1437**



C.W.L. : Continuous running Water Level

**DIMENSIONS:USCS (Inch)**

Model	HP	NOM. SIZE	Pump & Motor					C.W.L.	Wt. (lbs.)
			A	A1	B	B1	H	W1	
KRS-1230	40	12"	26 3/8	13 3/16	52 1/2	51 9/16	55 1/4	18 7/8	1540
KRS-1437	50	14"	26 3/8	13 3/16	52 1/2	51 9/16	55 1/4	18 7/8	1650

**DIMENSIONS:METRIC (mm)**

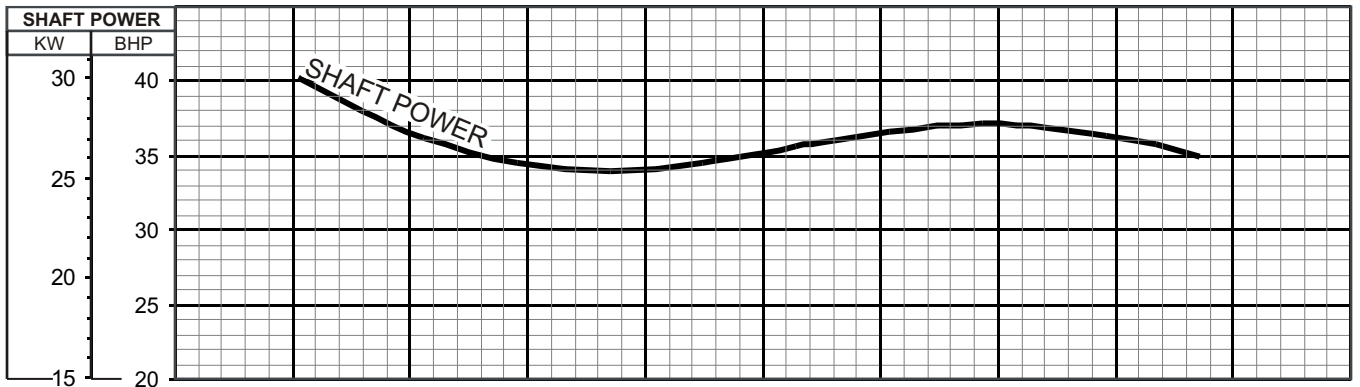
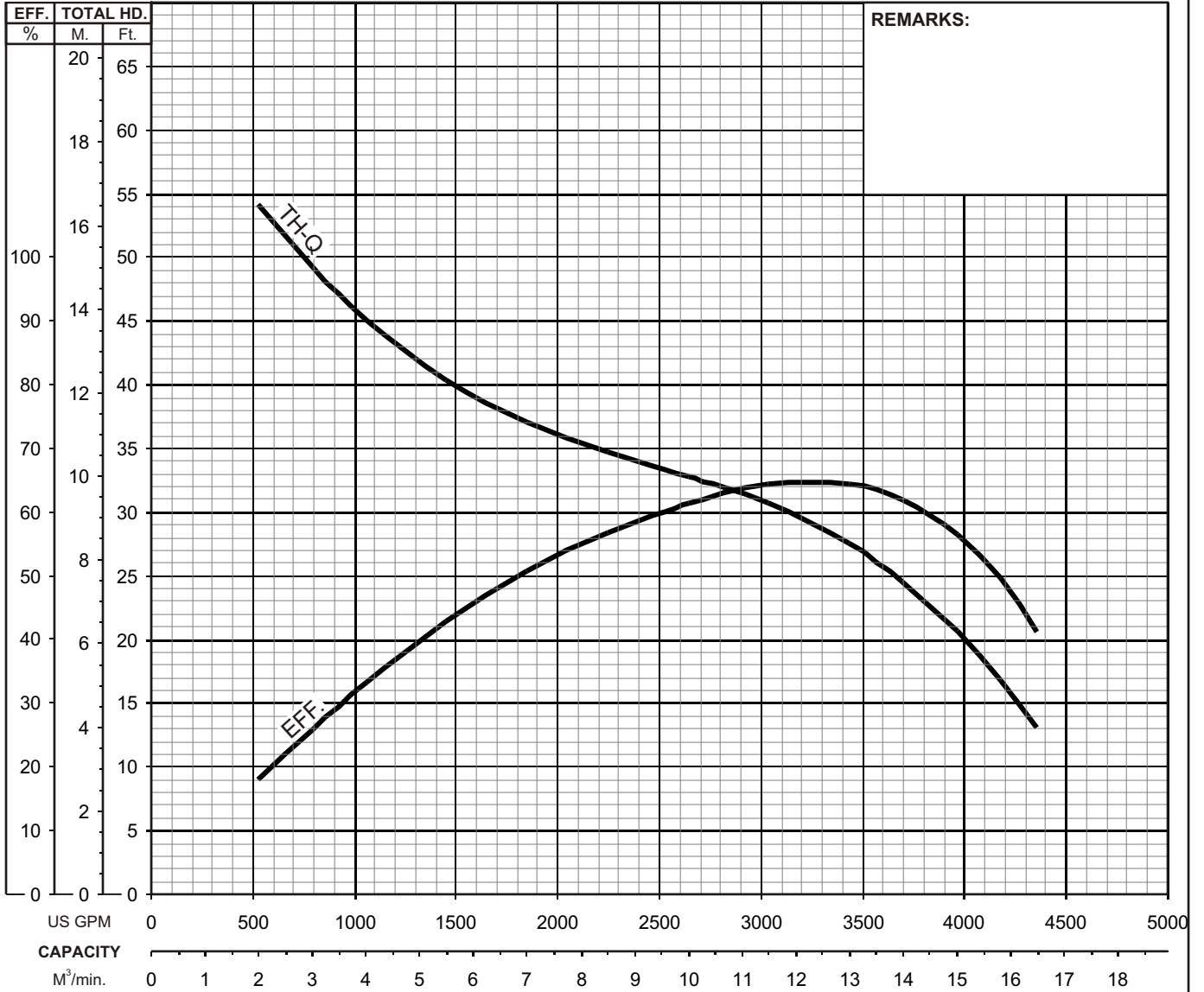
Model	kW	NOM. SIZE	Pump & Motor					C.W.L.	Wt. (kg)
			A	A1	B	B1	H	W1	
KRS-1230	30	300	670	335	1334	1310	1403	480	700
KRS-1437	37	350	670	335	1334	1310	1403	480	750

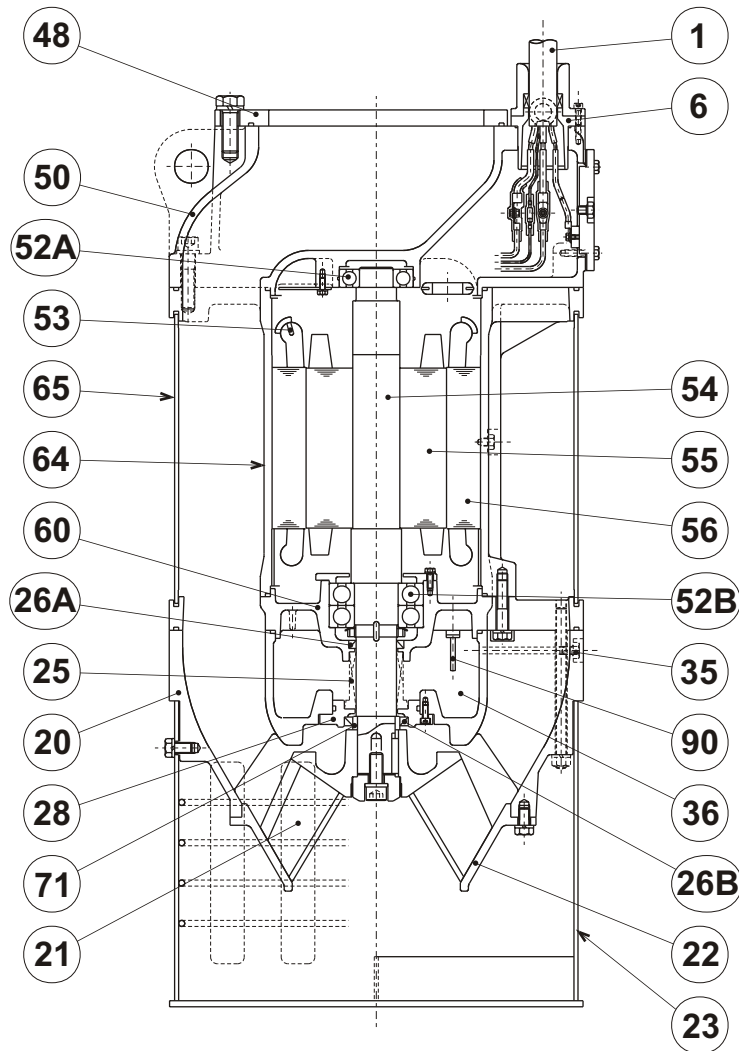


## KRS - SERIES HIGH VOLUME - DEWATERING PUMPS

## PERFORMANCE CURVE

MODEL	BORE	HP	KW	RPM	SOLIDS DIA	LIQUID	SG.	VISCOSITY	TEMP.
KRS-1230	12"/300mm	40	30	1165	1.97"/50mm	Water	1.0	1.123 cSt	60°F
PUMP TYPE		PHASE	VOLTAGE	AMPERAGE		HZ	STARTING METHOD		INS. CLASS
High Volume - Dewatering Pump		3	460 / 575	53 / 43		60	Star - Delta		F
CURVE No.	DATE	PHASE	VOLTAGE	AMPERAGE		HZ	STARTING METHOD		INS. CLASS
-	-	-	-	-		-	-		-




**KRS-1230**

ITEM#	DESCRIPTION	MAIN MATERIAL / NOTE	ASTM, AISI CODE	RELATED DIN CODE	Q'TY
1	Power Cable	Chloroprene Sheath AWG 2/6 , 4/1 , 14/3 -50ft			1
6	Stuffing Box	Cast Iron	A48 Class 35	1691/GG20	1
20	Pump Casing	Cast Iron	A48 Class 35	1691/GG20	1
21	Impeller	High Chrome Cast Iron	A532 93d Class III Type A	1695;1977	1
22	Suction Cover	High Chrome Cast Iron	A532 93d Class III Type A	1695;1977	1
23	Suction Strainer	Steel	A283 Grade D	17100 RSt 46-2	1
25	Mechanical Seal	Silicon Carbide / H-60			1
26A	Oil Seal	Nitrile Butadiene Rubber / TC-608212			1
26B	Oil Seal	Nitrile Butadiene Rubber / TC-709513			1
28	Seal Housing	Cast Iron	A48 Class 40	1691/GG25	1
35	Oil Plug	Stainless Steel	AISI 403	17440 X15 Cr 13	2
36	Lubricant	Turbine Oil ISO VG32 or SAE10W/20W			
48	Companion Flange	Steel / 12"	A283 Grade D	17100 RSt 46-2	1
50	Motor Head Cover	Cast Iron	A48 Class 35	1691/GG20	1
52A	Upper Bearing	#6310ZZC3			1
52B	Lower Bearing	#6313ZZD2C3			1 set
53	Motor Protector				3
54	Shaft	Stainless Steel	AISI 420	17440 X20 Cr 13	1
55	Rotor				1
56	Stator				1
60	Bearing Housing	Cast Iron	A48 Class 35	1691/GG20	1
64	Motor Housing	Cast Iron	A48 Class 35	1691/GG20	1
65	Outer Cover	Steel	A283 Grade D	17100 RSt 46-2	1
71	Shaft Sleeve	Stainless Steel	AISI 304	17440 X5 CrNi 18-9	1
90	Leakage Sensor Electrode	Stainless Steel	AISI 420	17440 X20 Cr 13	1

PARTS LIST		CONTRACTOR PUMPS			6/20/2012	
ITEM	PART No.	DESCRIPTION	QTY	SIZE	MATERIAL	NOTES
		<Cable Parts>				
	003-170-14	Gland	1	KRS-1230	FC	
	140-269-19	Hex.Socket Cap Bolt	2	M8x25	SUS304	
	004-119-18	Cable Bush	1	No.8	SBR	
	006-148-12	Stuffing Box	1	KRS-1230	FC	
	140-273-16	Hex.Socket Cap Bolt	4	M8x45	SUS304	
	142-163-18	Spring Washer	4	M8	SUS304	
	122-126-17	O-Ring	1	G-75(74.4xd3.1)	NBR	
	035-102-30	Air Tightness Test Plug	1	M12x16(B=21)	SUS304	
	122-259-10	O-Ring	1	12xd3	NBR	
	009-108-19	Terminal	6	R-38-6	CU	
	009-107-18	Terminal	6	R-14-6	CU	
	140-030-48	Hex.Bolt	6	M6x12	C3604	
	141-004-46	Hex.Nut	6	M6	C3604	
	142-126-48	Plain Washer	6	M6	C3604	
	009-117-11	Terminal	1	R-22-6 (for Grounding)	CU	
	143-045-16	Pan Screw	1	M6x15	SWRM	
	142-126-22	Plain Washer	1	M6	SPC	
	142-162-33	Spring Washer	1	M6	SWRH	
	002-115-18	Heat Shrink Tube (Sold per meter)	m	EVA(d16.5x1t)	(Vm)	
	002-116-19	Heat Shrink Tube (Sold per meter)	m	A4(d20x0.35t)	(Vm)	
	009-114-18	Connector	3	PC-4020M		
	009-115-19	Connector	3	PC-4020F		
	002-135-14	Heat Shrink Tube (Sold per meter)	m	A(d15x0.3t)	(Vm)	
	010-103-21	Cable Clip	2	No.4	SPC	
	140-074-15	Hex.Bolt	3	M10x20	SUS304	
	141-006-19	Hex.Nut	3	M10	SUS304	
	142-128-24	Plain Washer	3	M10	SPC	
		Chain	1	d6(3)	SS	
	140-078-19	Hex.Bolt	1	M10x35	SUS304	
	141-006-19	Hex.Nut	1	M10	SUS304	
	142-128-24	Plain Washer	2	M10	SPC	
		Shackle	1	7mm	SS	
		<Pump Parts>				
	020-726-14	Pump Casing	1	KRS-1230	FC	
	144-532-18	Stud Bolt	6	M16x235(30/35)	SUS304	
	141-008-11	Hex.Nut	6	M16	SUS304	
	142-166-11	Spring Washer	6	M16	SUS304	
	122-161-14	O-Ring	1	G-300(299.3xd5.7)	NBR	
	122-400-18	O-Ring	1	585xd5.7	NBR	
	025-199-17	Mechanical Seal	1	H-60	SiC	
	143-028-13	Pan Screw	3	M5x10	SWRM	
	028-151-16	Seal Housing	1	KRS-1230	FC	
	140-268-18	Hex.Socket Cap Bolt	6	M8x20	SUS304	

PARTS LIST		CONTRACTOR PUMPS			6/20/2012	
ITEM	PART No.	DESCRIPTION	QTY	SIZE	MATERIAL	NOTES
	122-067-19	O-Ring	1	P-120(119.6xd5.7)	NBR	
	026-118-15	Oil Seal	1	TC-709513	NBR	
	071-183-11	Shaft Sleeve	1	d56xd70x20l	SUS304	
	021C8317	Impeller (50Hz)	1	50Hz	HiCrFC	
	021C7213	Impeller (60Hz)	1	60Hz	HiCrFC	
	142-281-13	Impeller Fixing Washer	1	KRS-1230	SUS304	
	140-332-14	Hex.Socket Cap Bolt	1	M20x50	SUS304	
	142-168-13	Spring Washer	1	M20	SUS304	
	022-630-16	Suction Cover	1	KRS-1230	HiCrFC	
	120-154-18	Packing (S.Cover)		d401xd475x0.3t	THREE SHEET	
	140-122-19	Hex.Bolt	6	M16x30	SUS304	
	142-166-11	Spring Washer	6	M16	SUS304	
	023-377-15	Strainer Stand	1	KRS-1230	SS	
	140-122-19	Hex.Bolt	6	M16x30	SUS304	
	142-166-11	Spring Washer	6	M16	SUS304	
	035-102-30	Oil Plug	2	M12x16(B=21)	SUS304	
	122-259-10	O-Ring	2	12xd3	NBR	
	048-204-17	Flange	1	KRS-1230	SS	
	122-316-16	O-Ring	1	365xd5.7	NBR	
	140-187-12	Hex.Bolt	6	M24x70	SUS304	
	142-170-18	Spring Washer	6	M24	SUS304	
		<Motor Parts>				
	050-347-10	Motor Bracket	1		FC	
	140-154-10	Hex.Bolt	6	M20x80	SUS304	
	142-168-13	Spring Washer	6	M20	SUS304	
	121-375-10	Packing	6	d19.5xd28x4t	SBR	
	142-131-17	Plain Washer	6	M20	SUS304	
	122-400-18	O-Ring	1	585xd5.7	NBR	
	122-353-15	O-Ring	1	310xd5.7	NBR	
	201-028-16	Lid	1	KRS-1230/1437	SS	
	140-076-17	Hex.Bolt	4	M10x30	SUS304	
	142-164-19	Spring Washer	4	M10	SUS304	
	122-264-18	O-Ring	1	140xd3.5	NBR	
	052-113-11	Bearing (Upper)	1	6310ZZC3		
	122-133-17	O-Ring	1	G-110(109.4xd3.1)	NBR	
	142-280-12	Wave Washer	1	6310	SK5	
		Motor Protector				
		Stator	1Set			
	055-540-10	Rotor	1Set			
	052-144-11	Bearing (Lower)	1Set	6313ZZD2C3		
	142-246-16	Bearing Washer	1	AW13	SPCC	
	141-078-12	Bearing Nut	1	AN13	SS	
	064-419-17	Motor Frame	1		FC	
	065-221-13	Outer Cover	1	KRS-1230/1437	SS	





MODEL KRS1230-60

PARTS LIST		CONTRACTOR PUMPS				6/20/2012
ITEM	PART No.	DESCRIPTION	QTY	SIZE	MATERIAL	NOTES