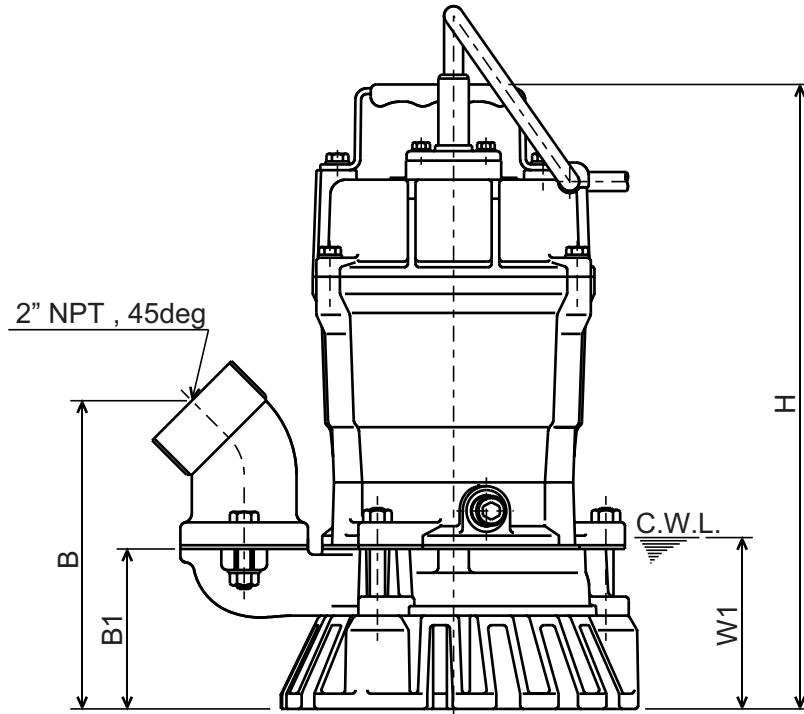
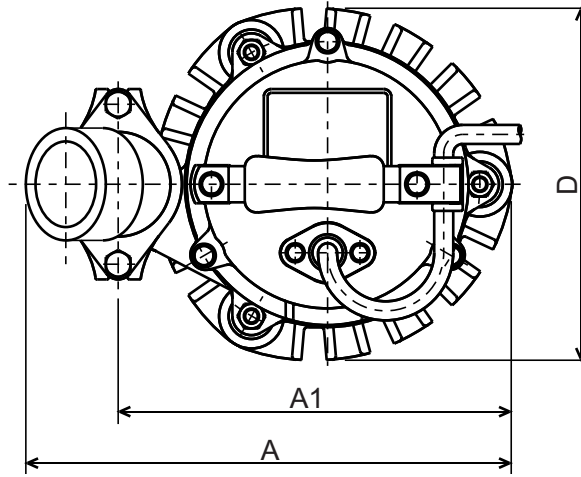




**HS - SERIES**  
**SEMI-VORTEX - WASTEWATER PUMP**

**DIMENSIONS**

HS2.4S-62



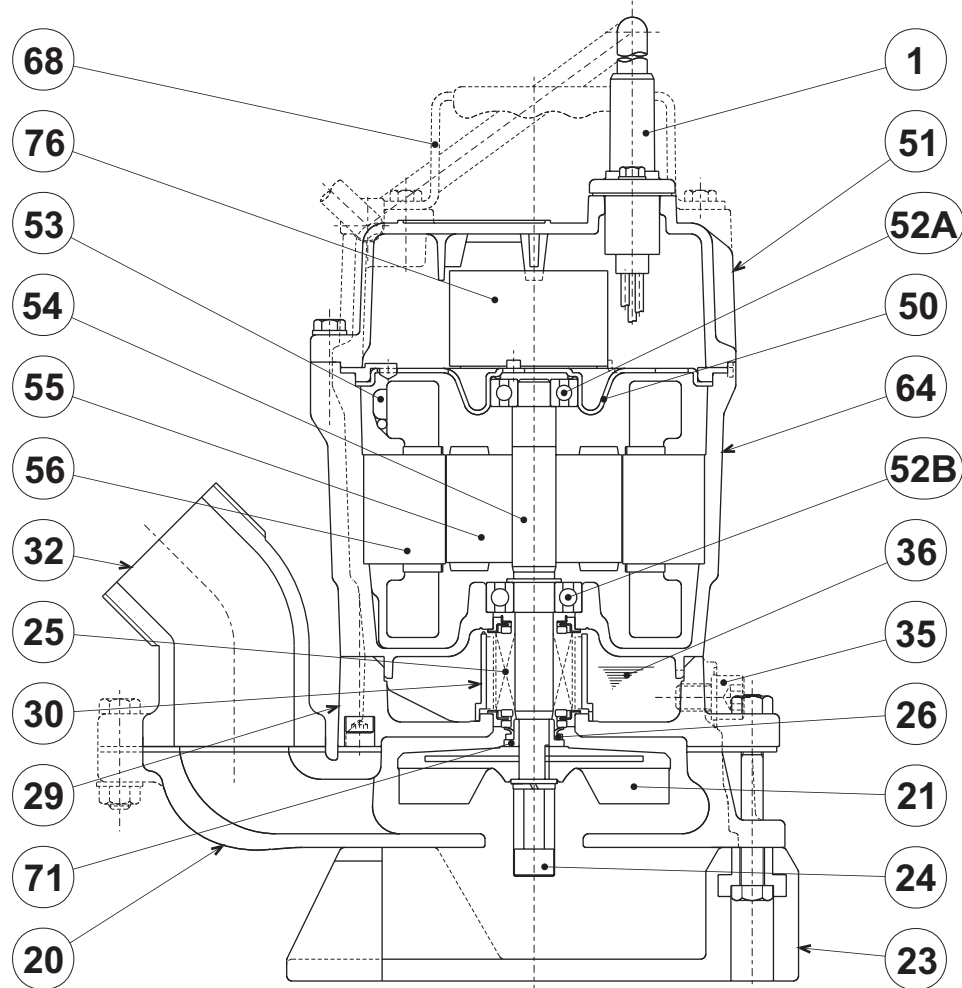
C.W.L. : Continuous running Water Level

**DIMENSIONS:USCS (Inch)**

Model	HP	NOM. SIZE	Pump & Motor						C.W.L.	Wt. (lbs.)
			A	A1	B	B1	D	H	W1	
HS2.4S-62	1/2	2"	10 1/16	8 1/8	6 3/8	3 5/16	7 5/16	12 15/16	3 1/2	25

**DIMENSIONS:METRIC (mm)**

Model	kW	NOM. SIZE	Pump & Motor						C.W.L.	Wt. (kg)
			A	A1	B	B1	D	H	W1	
HS2.4S-62	0.40	50	255	207	162	84	185	328	90	11.3

**HS2.4S-62**


ITEM#	DESCRIPTION	MAIN MATERIAL / NOTE	RELATED ASTM, AISI CODE	RELATED EN CODE	Q'TY
1	Power Cable	PVC Sheath AWG16/3-20ft			1
20	Pump Casing	Cast Iron	A48M Class30B	EN 1561 GJL-200	1
21	Impeller	Urethane Rubber			1
23	Suction Strainer	PVC			1
24	Agitator	Steel	A283 Grade D	EN 10025 S275	1
25	Mechanical Seal	Silicon Carbide / W-14VL			1
26	V-Ring	Nitrile Butadiene Rubber			1
29	Oil Casing	Cast Iron	A48M Class30B	EN 1561 GJL-200	1
30	Oil Lifter	PBT Resin			1
32	Discharge Connection	Cast Iron / NPT 2"	A48M Class30B	EN 1561 GJL-200	1
35	Oil Plug	Stainless Steel	S 30400	1.4301	1
36	Lubricant	Turbine Oil ISO VG32 or SAE10W -20			
50	Motor Bracket	Steel (Electro-Galvanized)	A591	EN 10152	1
51	Motor Head Cover	Aluminum Alloy Die Casting	B85 383.0	EN 1706 AC-46100	1
52A	Upper Bearing	#6201ZZC3			1
52B	Lower Bearing	#6202ZZC3			1
53	Motor Protector				1
54	Shaft	Stainless Steel	S 40300	1.4000	1
55	Rotor				1
56	Stator				1
64	Motor Housing	Aluminum Alloy Die Casting	B85 383.0	EN 1706 AC-46100	1
68	Handle	Steel (Hot Rolled) + NR Rubber	A1011	EN 10111	1
71	Shaft Sleeve	Stainless Steel	S 30400	1.4301	1
76	Capacitor				1

PARTS LIST		CONTRACTOR PUMPS			8/20/2012	
ITEM	PART No.	DESCRIPTION	QTY	SIZE	MATERIAL	NOTES
1	001-943-36	Cable Set(6.2m)110V-60Hz(USA)	1	STOW3x1.25mm2(CSA)	LB	
2	010-163-16	Cable Clip Rubber 110V-60Hz(USA)	1	HS2.4S	NBR	
3	140-427-17	Hex.Bolt (w/Plain Washer)	2	M5x15	SUS304	
4	003-190-10	Gland	1		SUS316	
5	140-032-37	Hex.Bolt	2	M6x15	SWRM	
6	068-272-18	Handle	1	HS2.4(S)-50/60	SPCNR	
7	140-431-14	Hex.Bolt (w/Plain Washer)	3	M6x25	SUS304	
8	051-250-18	Motor Head Cover	1	Blue	ADC	
9	121-546-14	Packing	1	d120xd142x6.2t	NBR	
10	076-159-13	Capacitor	1	SH-CAP,33MF-270VAC(three terminals)		
11	009-001-16	Earth Terminal	1Set	UL1015-AWG18,G/Y,L=132		interchangeable with OLD part# 009-000-17 (L=125mm)
12	143-086-35	Pan Screw (w/Spring Washer)	1	M4x8	C3604	
13	050-486-12	Motor Bracket	1		SECD	
14	142-192-16	Wave Washer	1	6201(D=32,t=0.4)	SK5	
15	052-100-15	Bearing	1	6201ZZC3		
16	055-889-14	Rotor	1Set	w/Bearing		
17	061-180-17	Bearing Collar	1	d15.1xd20x1.6t	SS	
18	052-101-16	Bearing	1	6202ZZC3		
19	056C6814	Stator 110V-60Hz(USA)	1Set	w/Miniature Protector		
20	064-516-15	Motor Frame	1	Blue	ADC	
21	025-291-10	Mechanical Seal	1	W-14VL	SiC+CCBN	
22	030-000-09	Oil Lifter	1	W-14VL	Resin	
23	122-133-17	O-Ring	1	G-110(109.4xd3.1)	NBR	
24	141-005-34	Hex.Nut	3	M8	S35C	
25	029-000-58	Oil Casing	1	HS2.4(S)-52/62	FC	
26	121-246-11	Packing	1	d10.3xd16x2t	PE	
27	035-124-12	Oil Plug	1	M10x15	SUS304	
28	121-000-20	Packing	1	HS-4E	NR	
29	140-256-26	Hex.Socket Cap Bolt	3	M6x35	SCM	
30	122-441-11	V-Ring	1	VR-14	NBR	
31	071-292-14	Shaft Sleeve	1	LB3-250/480	SUS304	
32	021-007-44	Impeller (60Hz)	1	HS2.4S-62	Urethane Rubber	
33	142-127-10	Plain Washer	1	M8	SUS304	
34	142-163-34	Spring Washer	1	M8	SWRH	
35	024-174-13	Agitator	1	HS2.4(S)(M8)	Sintered Alloy	
36	140-057-38	Hex.Bolt	2	M8x35	SWRM	
37	048-180-16	Screwed Flange	1	NPT-2(P.C.84)	FC	
38	032-289-17	Hose Coupling	1	HS2-4(NPT-2)	FC	
39	121-138-19	Packing	1	LB(P.C.84)	NBR	
40	020-000-41	Pump Casing	1	SK2.4S	FC	
41	142-127-10	Plain Washer	2	M8	SUS304	
42	141-005-34	Hex.Nut	2	M8	S35C	
43	023-453-16	Strainer Stand	1	SK2.4S	PVC	
44	140-064-25	Hex.Bolt	3	M8x70	SWRM	



MODEL HS2.4S-62

PARTS LIST		CONTRACTOR PUMPS				8/20/2012
ITEM	PART No.	DESCRIPTION	QTY	SIZE	MATERIAL	NOTES
		<Packing O-Ring Set>				
	173-550-12	Packing O-Ring Set	1Set	(Marked by *)		
9	121-546-14	Packing (Head Cover/M.Frame)	1	d120xd142x6.2t	NBR	
23	122-133-17	O-Ring (M.Frame/O.Casing)	1	G-110(109.4xd3.1)	NBR	
26	121-246-11	Packing (Oil Plug)	1	d10.3xd16x2t	PE	
28	121-000-20	Packing (O.Casing/P.Casing)	1	HS-4E	NR	
39	121-138-19	Packing (Hose Coupling)	1	LB(P.C.84)	NBR	
		Lubricant		Turbine Oil VG32 160ml		

\* Indicates items included in set

PARTS LIST		CONTRACTOR PUMPS				8/20/2012
ITEM	PART No.	DESCRIPTION	QTY	SIZE	MATERIAL	NOTES

## EXPLODED VIEW HS2. 4S-52/62

