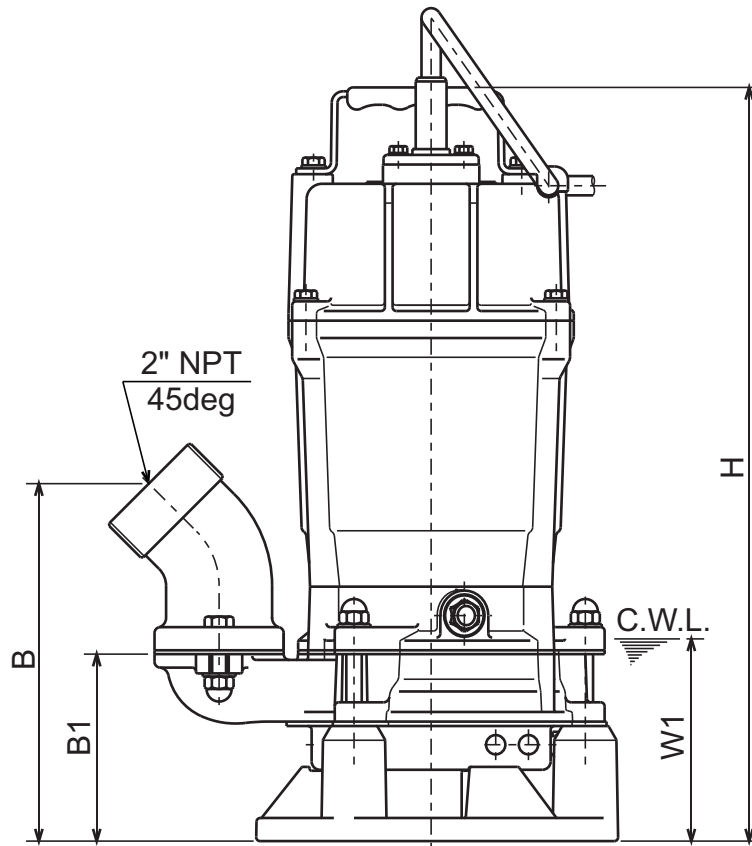
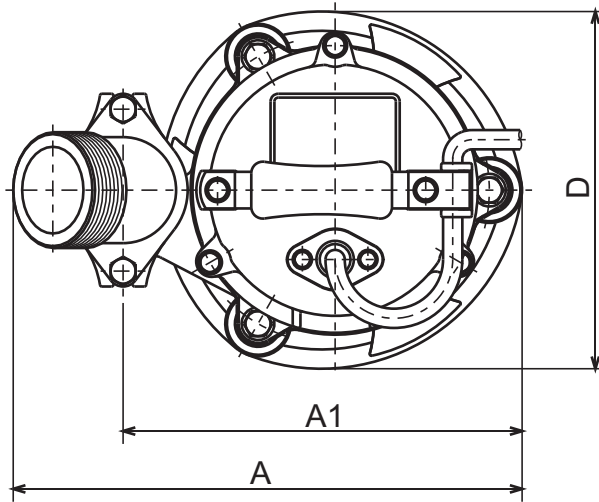




HSD2.55S - 63
SEMI-VORTEX - DEWATERING PUMP

DIMENSIONS

HSD2.55S-63



C.W.L. : Continuous running Water Level

DIMENSIONS:USCS (Inch)

Model	HP	NOM. SIZE	Pump & Motor						C.W.L.	Wt. (lbs.)
			A	A1	B	B1	D	H	W1	
HSD2.55S-63	3/4	2"	10 3/8	8 1/8	7 5/16	3 13/16	7 5/16	15 3/8	4 1/8	34

DIMENSIONS:METRIC (mm)

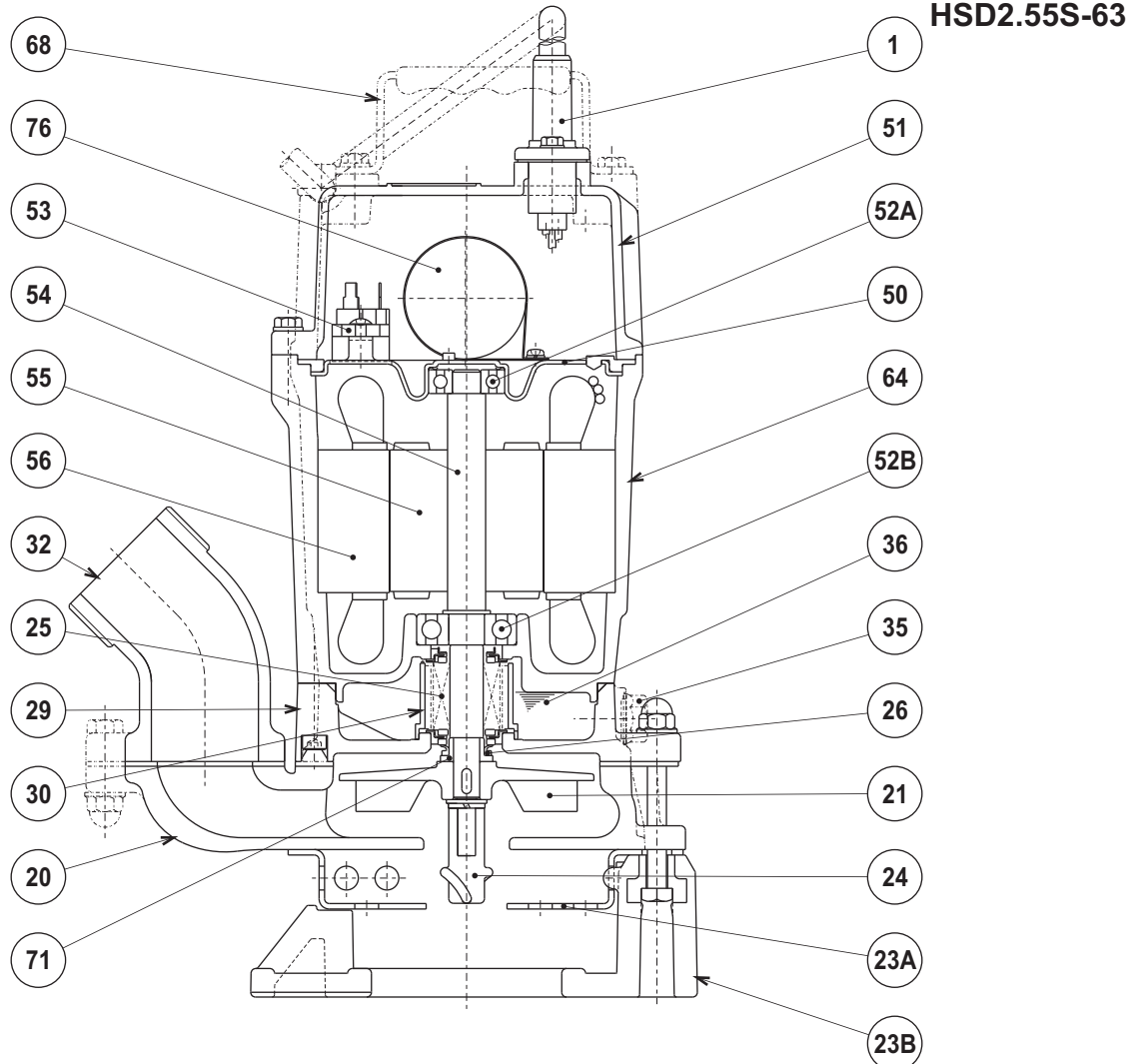
Model	kW	NOM. SIZE	Pump & Motor						C.W.L.	Wt. (kg)
			A	A1	B	B1	D	H	W1	
HSD2.55S-63	0.55	50	264	207	185	97	185	391	105	15.3



TSURUMI PUMP

HSD2.55S - 63
SEMI-VORTEX - DEWATERING PUMP

SECTIONAL VIEW



ITEM#	DESCRIPTION	MAIN MATERIAL / NOTE	RELATED ASTM, AISI CODE	RELATED EN CODE	Q'TY
1	Power Cable	PVC Sheath AWG16/3-32ft			1
20	Pump Casing	Ductile Cast Iron	A536 100-70-03	EN 1563 GJS-700-2	1
21	Impeller	High Chrome Cast Iron	A532 Class III Type A	DIN 1695 G-X260Cr27	1
23A	Strainer	Steel (Cold Rolled)	A109/A1008	EN 10130	1
23B	Pump Stand	PVC			1
24	Agitator	High Chrome Cast Iron	A532 Class III Type A	DIN 1695 G-X260Cr27	1
25	Mechanical Seal	Silicon Carbide / W-14VL			1
26	V-Ring	Nitrile Butadiene Rubber			1
29	Oil Casing	Cast Iron	A48M Class30B	EN 1561 GJL-200	1
30	Oil Lifter	PBT Resin			1
32	Discharge Connection	Cast Iron / NPT 2"	A48M Class30B	EN 1561 GJL-200	1
35	Oil Plug	Stainless Steel	S 30400	1.4301	1
36	Lubricant	Turbine Oil ISO VG32 or SAE10W-20			1
50	Motor Bracket	Steel (Electro-Galvanized)	A591	EN 10152	1
51	Motor Head Cover	Aluminum Alloy Die Casting	B85 383.0	EN 1706 AC-46100	1
52A	Upper Bearing	#6201ZZC3			1
52B	Lower Bearing	#6302ZZC3			1
53	Motor Protector				1
54	Shaft	Stainless Steel	S 40300	1.4000	1
55	Rotor				1
56	Stator				1
64	Motor Housing	Aluminum Alloy Die Casting	B85 383.0	EN 1706 AC-46100	1
68	Handle	Steel (Hot Rolled) + NR Rubber	A1011	EN 10111	1
71	Shaft Sleeve	Stainless Steel	S 30400	1.4301	1
76	Capacitor				1

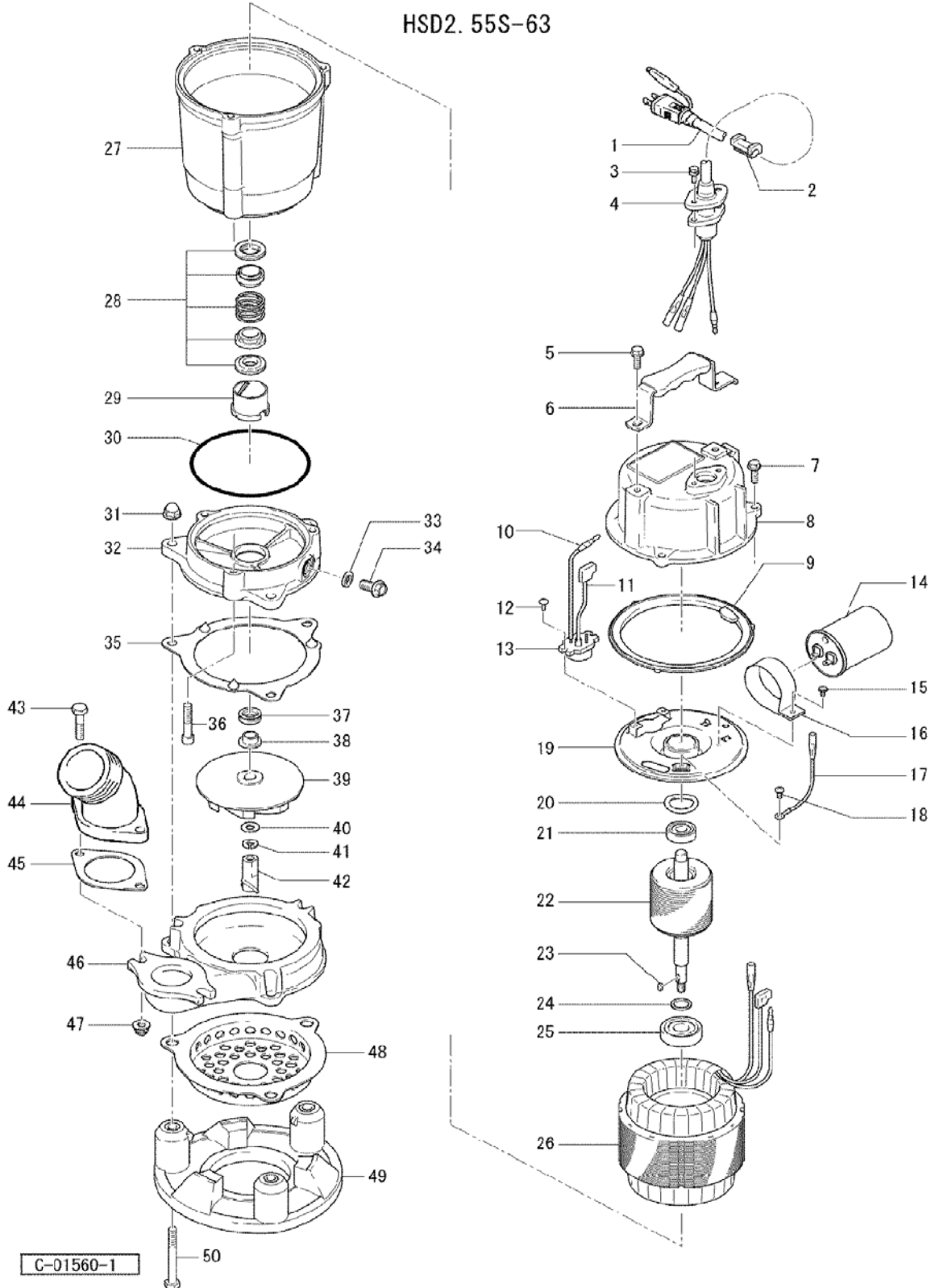
PARTS LIST		EXTREME DUTY TRASH PUMP				8/29/2019
ITEM	PART No.	DESCRIPTION	QTY	SIZE	MATERIAL	NOTES
1	001-943-23	Cable Set (32') 115V-60Hz(USA)	1	STOW3x1.25mm2(CSA)	LB	
2	010-134-18	Cable Clip Rubber	1	HS3-4	NBR	
3	140-427-17	Hex.Bolt (w/Plain Washer)	2	M5x15	SUS304	
4	003-190-10	Gland	1		SUS316	
5	140-451-10	Hex.Bolt (w/Plain Washer)	2	M6x16	SUS304	
6	068-224-15	Handle	1	FM24-4	SPC+NR	
7	140-396-16	Hex.Bolt (w/Spring Washer/Plain Washer)	3	M6x20	SUS304	
8	051-000-51	Motor Head Cover	1	BLUE	ADC	
9	121-546-14	Packing	1	d120xd142x6.2t	NBR	*
10	009-001-03	Intermediate Lead Wire	1Set	AWG16x160(red)		
11	009-001-42	Intermediate Lead Wire	1Set	AWG16x80(Indigo)		
12	143-000-43	Truss Screw	2	M4x8	SWRM	
13	053-002-02	Motor Protector 115V-60Hz(USA)	1	KA142-BATL24F	(T,C)	
14	076-000-51	Capacitor 115V-60Hz(USA)	1	44MF-250VAC(d51x70L)		
15	143-085-21	Pan Screw (w/Spring Washer)(1st)	1	M4x6	SWRM	
	143-086-22	Pan Screw (w/Spring Washer)(2nd)	1	M4x8	SWRM	
16	127-000-99	Capacitor Fixing Plate 115V-60Hz(USA)	1	d51(1.0t)	SPC	replaces OLD part# 127-000-99
17	009-001-47	Earth Terminal	1Set	UL1015-AWG16x150		
18	143-203-14	Pan Screw	1	M4x5	C360	
19	050-000-61	Motor Bracket	1		SECD	
20	142-192-16	Wave Washer	1	6201(D=32,t=0.4)	SK5	
21	052-100-15	Bearing	1	6201ZZC3		
22	055-003-00	Rotor	1Set	w/Bearing		
23	147-168-18	Impeller Key	1	4x4x10L	SUS304	
24	000-061-17	Bearing Collar	1	d15.1xd20x1.6t	SS	
25	052-152-12	Bearing	1	6302ZZC3		
26	056-008-36	Stator 115V-60Hz(USA)	1Set			
27	064-001-28	Motor Frame	1	BLUE	ADC	
28	025-291-10	Mechanical Seal	1	W-14VL	SSiC	
29	030-000-09	Oil Lifter	1	W-14VL	Resin	
30	122-133-17	O-Ring	1	G-110(109.4xd3.1)	NBR	*
31	141-144-10	Hex.Nut (w/Flange)	3	M8	SUS304	
32	029-000-58	Oil Casing	1	HS2.4(S)-52/62	FC	
33	121-246-11	Packing	1	d10.3xd16x2t	PE	*
34	035-125-13	Oil Plug	1	M10x20(B=13)	SUS304	
35	121-000-20	Packing	1	HS-4E	NR	*
36	140-256-13	Hex.Socket Cap Bolt	3	M6x35	SUS304	
37	122-441-11	V-Ring	1	VR-14	NBR	

PARTS LIST		EXTREME DUTY TRASH PUMP				8/29/2019
ITEM	PART No.	DESCRIPTION	QTY	SIZE	MATERIAL	NOTES
38	071-292-14	Shaft Sleeve	1	LB3-250/480	SUS304	
39	021-009-69	Impeller (60Hz)	1	HSD2.55S-63	HiCrFC	interchangable with OLD part# 021-001-34
40	142-000-69	Plain Washer	1	M8(d8.6xd17.5x1.9t)	SUS304	
41	142-163-18	Spring Washer	1	M8	SUS304	
42	024-000-02	Agitator	1	M8x40	HiCrFC	
43	140-057-12	Hex.Bolt	2	M8x35	SUS304	
44	032-289-17	Hose Coupling 115V-60Hz(USA)	1	NPT-2(HS2-4)	FC	
	032-214-11	Hose Coupling -Straight (OPTION)	1	NPT 2"	SWMG	straight coupling OPTION
45	121-138-19	Packing	1	LB(P.C.84)	NBR	*
46	020-000-40	Pump Casing	1	HS2.4(S)-51/61	FCD	
47	141-144-10	Hex.Nut (w/Flange)	2	M8	SUS304	
48	023-001-66	Strainer	1	HSD2.55S-53/63	SPC	
49	023-002-07	Stand	1	HSD2.55S-53/63	PVC (RoHS2)	replaces OLD part# 023-001-67
50	140-065-13	Hex.Bolt	3	M8x75	SUS304	
	173-550-12	Packing O-Ring Set	1Set	(Marked by *)		
9	121-546-14	Packing (Head Cover/M.Frame)	1	d120xd142x6.2t	NBR	*
30	122-133-17	O-Ring (M.Frame/O.Casing)	1	G-110(109.4xd3.1)	NBR	*
33	121-246-11	Packing (Oil Plug)	1	d10.3xd16x2t	PE	*
35	121-000-20	Packing (O.Casing/P.Casing)	1	HS-4E	NR	*
45	121-138-19	Packing (Hose Coupling)	1	LB(P.C.84)	NBR	*
		Lubricant		Turbine Oil VG32 160ml		

PARTS LIST		EXTREME DUTY TRASH PUMP				8/29/2019
ITEM	PART No.	DESCRIPTION	QTY	SIZE	MATERIAL	NOTES

EXPLODED VIEW

HSD2. 55S-63



C-01560-1