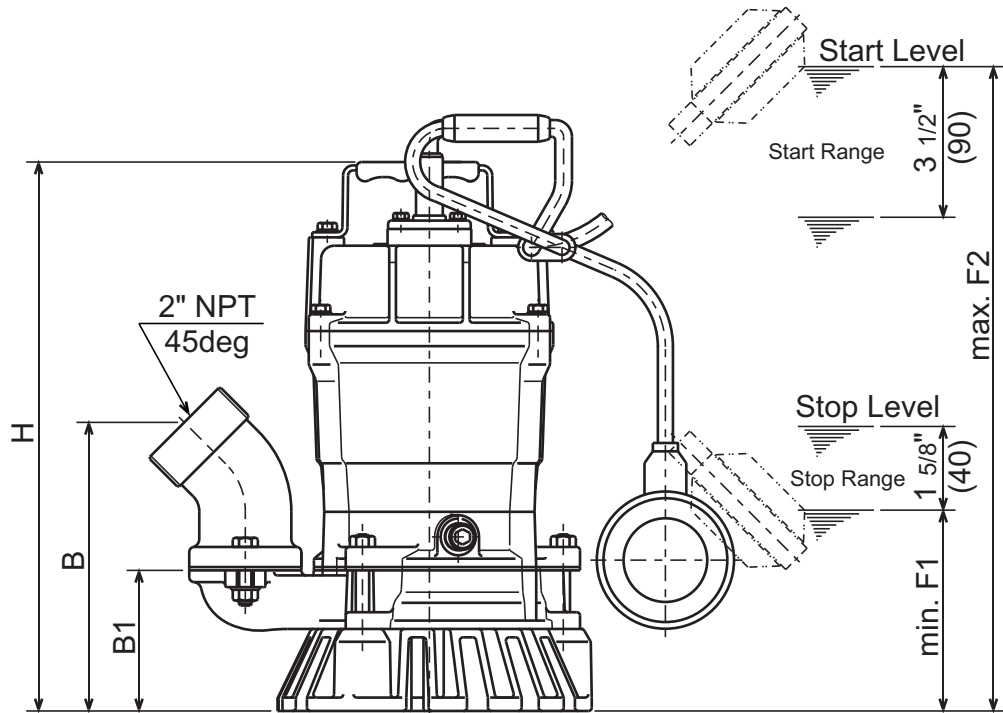
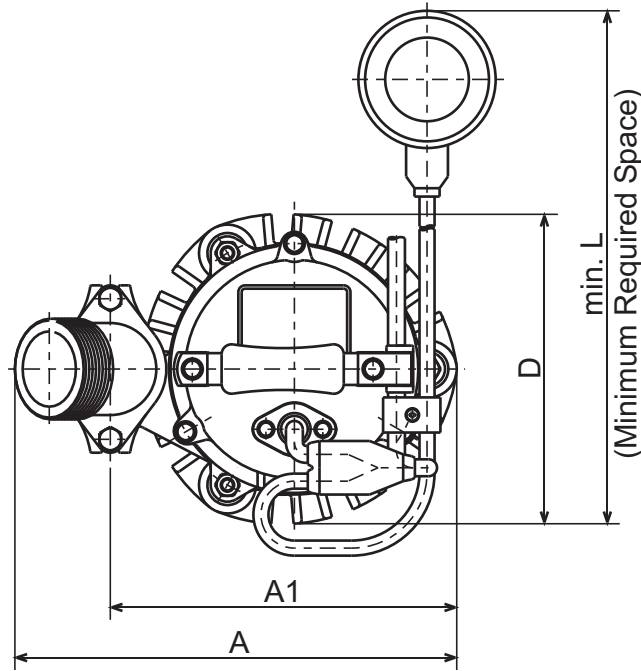




HS - SERIES
SEMI-VORTEX - WASTEWATER PUMP (AUTO-TYPE)

DIMENSIONS

HSZ2.4S-62



DIMENSIONS:USCS (Inch)

Model	HP	NOM. SIZE	Pump & Motor						Space min. L	Stop min. F1	Start max. F2	Wt. (lbs.)
			A	A1	B	B1	D	H				
HSZ2.4S-62	1/2	2"	10 1/16	8 1/8	6 3/8	3 5/16	7 5/16	12 15/16	13 1/2	4 3/4	15 1/8	25

DIMENSIONS:METRIC (mm)

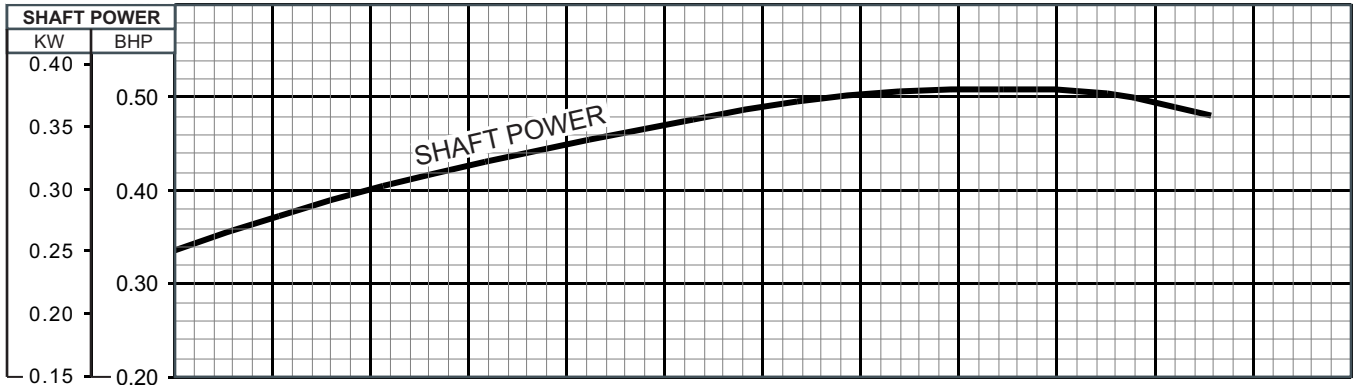
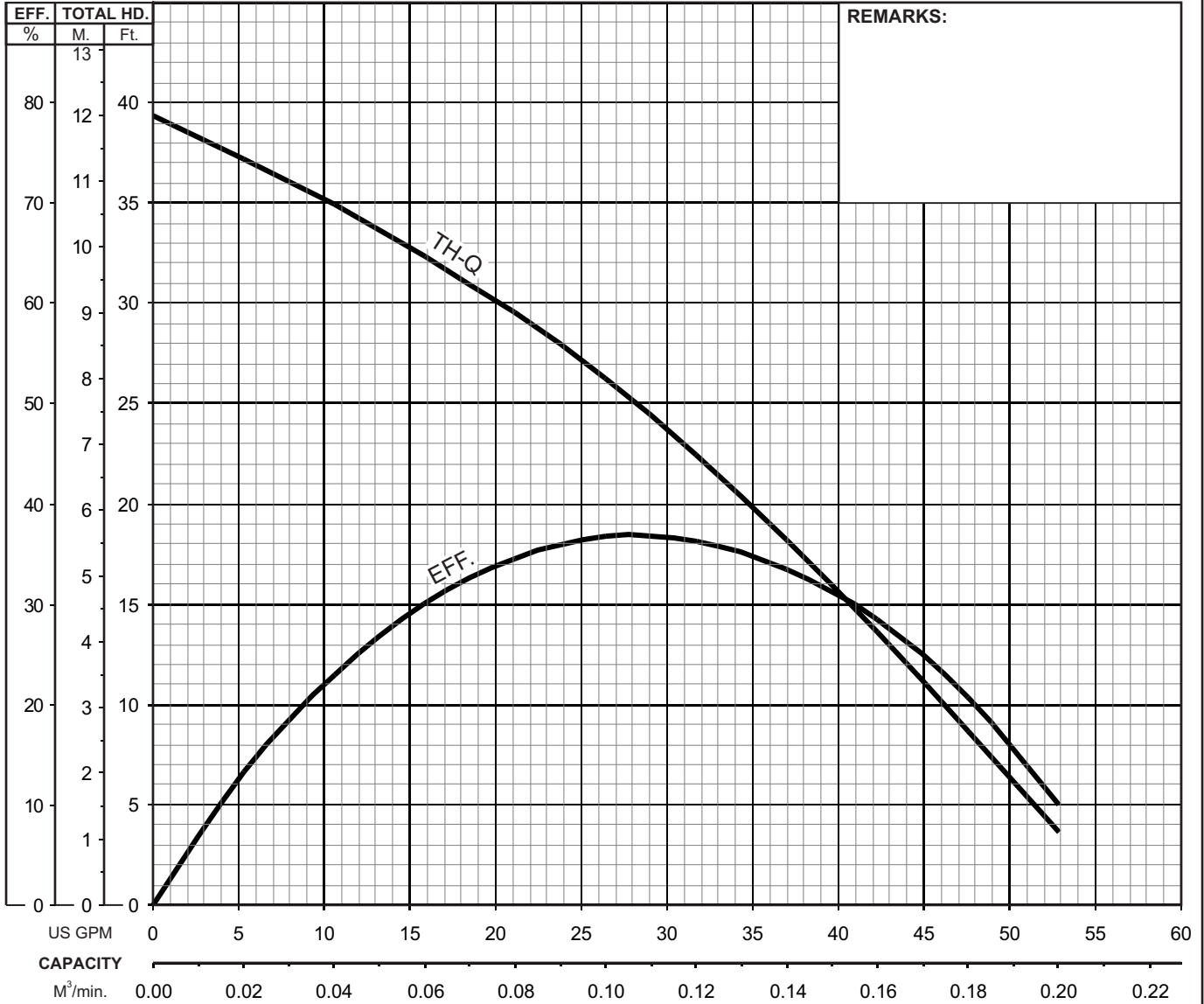
Model	kW	NOM. SIZE	Pump & Motor						Space min. L	Stop min. F1	Start max. F2	Wt. (kg)
			A	A1	B	B1	D	H				
HSZ2.4S-62	0.40	50	255	207	162	84	185	328	340	120	385	11.3



HS - SERIES SEMI-VORTEX - WASTEWATER PUMP

PERFORMANCE CURVE

MODEL	BORE	HP	KW	RPM	SOLIDS DIA	LIQUID	SG.	VISCOSITY	TEMP.
HS(Z)2.4S-62	2" / 50mm	0.54	0.40	3320	0.28" / 7mm	Water	1.0	1.123 cSt.	60°F
PUMP TYPE	PHASE	VOLTAGE		AMPERAGE		HZ	STARTING METHOD		INS. CLASS
Semi-Vortex - Wastewater Pump	Single	110/115, 220		5.4 / 5.2, 2.7		60	Capacitor Start		E
CURVE No.	DATE	PHASE	VOLTAGE	AMPERAGE	HZ	STARTING METHOD		INS. CLASS	
-	-	-	-	-	-	-		-	



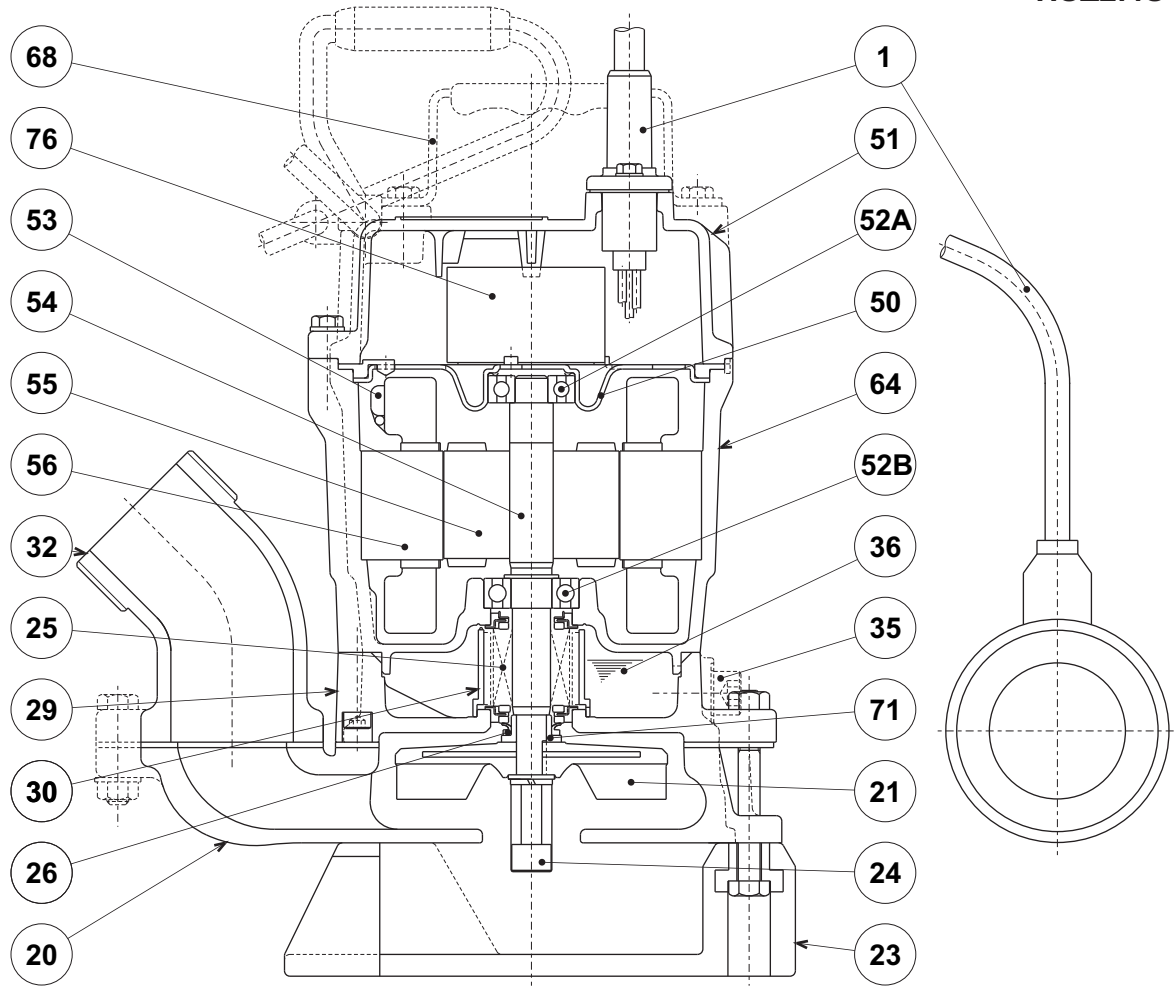


TSURUMI PUMP

HS - SERIES
SEMI-VORTEX - WASTEWATER PUMP (AUTO-TYPE)

SECTIONAL VIEW

HSZ2.4S-62



ITEM#	DESCRIPTION	MAIN MATERIAL / NOTE	RELATED ASTM, AISI CODE	RELATED EN CODE	Q'TY
1	Power Cable w/ Float Set	PVC Sheath AWG16/3-20ft w/ PP Resin + Chloroprene Sheath Cable			1
20	Pump Casing	Cast Iron	A48M Class30B	EN 1561 GJL-200	1
21	Impeller	Urethane Rubber			1
23	Suction Strainer	PVC			1
24	Agitator	Steel	A283 Grade D	EN 10025 S275	1
25	Mechanical Seal	Silicon Carbide / W-14VL			1
26	V-Ring	Nitrile Butadiene Rubber			1
29	Oil Casing	Cast Iron	A48M Class30B	EN 1561 GJL-200	1
30	Oil Lifter	PBT Resin			1
32	Discharge Connection	Cast Iron / NPT 2"	A48M Class30B	EN 1561 GJL-200	1
35	Oil Plug	Stainless Steel	S 30400	1.4301	1
36	Lubricant	Turbine Oil ISO VG32 or SAE10W -20			
50	Motor Bracket	Steel (Electro-Galvanized)	A591	EN 10152	1
51	Motor Head Cover	Aluminum Alloy Die Casting	B85 383.0	EN 1706 AC-46100	1
52A	Upper Bearing	#6201ZZC3			1
52B	Lower Bearing	#6202ZZC3			1
53	Motor Protector				1
54	Shaft	Stainless Steel	S 40300	1.4000	1
55	Rotor				1
56	Stator				1
64	Motor Housing	Aluminum Alloy Die Casting	B85 383.0	EN 1706 AC-46100	1
68	Handle	Steel (Hot Rolled) + NR Rubber	A1011	EN 10111	1
71	Shaft Sleeve	Stainless Steel	S 30400	1.4301	1
76	Capacitor				1

PARTS LIST		CONTRACTOR PUMPS			6/10/2019	
ITEM	PART No.	DESCRIPTION	QTY	SIZE	MATERIAL	NOTES
1	143-000-27	Pan Tapping Screw	1	M4x16	SUS304	
2	010-163-16	Cable Clip Rubber	1	HS2.4S	NBR	
3	109-000-11	Float Support Bush	1	d9/d9	Resin	
4	140-427-17	Hex.Bolt (w/Plain Washer)	2	M5x15	SUS304	
5	001-003-42	Cabyre Cable Set (20') 110V-60Hz(USA)	1	STOW3Cx16AWG(CSA3P, w/Float)	LB	
5	001-004-47	Cabyre Cable Set (20') 220V-60Hz(USA)	1	STOW3Cx16AWG(,w/Float)	LB	
6	140-032-37	Hex.Bolt	2	M6x15	SWRM	
7	068-272-18	Handle	1	HS2.4(S)-50/60	SPCNR	
8	140-431-14	Hex.Bolt (w/Plain Washer)	3	M6x25	SUS304	
9	051-250-18	Motor Head Cover	1	Blue	ADC	
10	121-546-14	Packing	1	d120xd142x6.2t	NBR	*
11	076-159-13	Capacitor 110V-60Hz(USA)	1	SH-CAP,33MF-270VAC(three terminals)		
11	076-162-19	Capacitor 220V-60Hz(USA)	1	SH-CAP,9MF-500VAC(three terminals)		
12	009-001-16	Earth Terminal	1Set	UL1015-AWG18,G/Y,L=132		interchangable with OLD part# 009-000-17, L=125mm
13	143-086-35	Pan Screw (w/Spring Washer)	1	M4x8	C3604	
14	050-486-12	Motor Bracket	1		SECD	
15	142-192-16	Wave Washer	1	6201(D=32,t=0.4)	SK5	
16	052-100-15	Bearing	1	6201ZZC3		
17	055-889-14	Rotor	1Set	w/Bearing		
18	061-180-17	Bearing Collar	1	d15.1xd20x1.6t	SS	
19	052-101-16	Bearing	1	6202ZZC3		
20	056-C67-13	Stator 110V-60Hz (USA)	1Set	w/Miniature Protector		
20	056-009-34	Stator 220V-60Hz (USA)	1Set	w/Miniature Protector		
21	064-516-15	Motor Frame	1	Blue	ADC	
22	025-291-10	Mechanical Seal	1	W-14VL	SiC+CCBN	
23	030-000-09	Oil Lifter	1	W-14VL	Resin	
24	122-133-17	O-Ring	1	G-110(109.4xd3.1)	NBR	*
25	141-005-34	Hex.Nut	3	M8	S35C	
26	029-000-58	Oil Casing	1	HS2.4(S)-52/62	FC	
27	121-246-11	Packing	1	d10.3xd16x2t	PE	*
28	035-124-12	Oil Plug	1	M10x15	SUS304	
29	121-000-20	Packing	1	HS-4E	NR	*
30	140-256-26	Hex.Socket Cap Bolt	3	M6x35	SCM	
31	122-441-11	V-Ring	1	VR-14	NBR	
32	071-292-14	Shaft Sleeve	1	LB3-250/480	SUS304	
33	021-007-44	Impeller (60Hz)	1	HSZ2.4S-62	Urethane Rubber	
	021-007-43	Impeller (50Hz) OPTION	1	LB2-400 (50Hz)	Urethane Rubber	110/115V ONLY! WARNING: 220/230V 50Hz uses different stator and capacitor!
34	142-127-10	Plain Washer	1	M8	SUS304	

PARTS LIST		CONTRACTOR PUMPS			6/10/2019	
ITEM	PART No.	DESCRIPTION	QTY	SIZE	MATERIAL	NOTES
35	142-163-34	Spring Washer	1	M8	SWRH	
36	024-174-13	Agitator	1	HS2.4(S)(M8)	Sintered Alloy	
37	140-057-38	Hex.Bolt	2	M8x35	SWRM	
38	142-163-34	Spring Washer	2	M8	SWRH	
39	032-289-17	Hose Coupling (for USA)	1	HS2-4(NPT-2)	FC	
	032-214-11	Hose Coupling 2" straight OPTION	1	2" NPT	FC	OPTION
	048-180-16	Hose Flange 2" female OPTION	1	2" NPT	FC	OPTION
40	121-138-19	Packing	1	LB(P.C.84)	NBR	*
41	020-000-41	Pump Casing	1	SK2.4S	FC	
42	142-127-10	Plain Washer	2	M8	SUS304	
43	141-005-34	Hex.Nut	2	M8	S35C	
44	023-002-06	Strainer Stand	1	SK2.4S	PVC	replaced OLD# 023-453-16
45	140-064-25	Hex.Bolt	3	M8x70	SWRM	
	173-550-12	Packing O-Ring Set	1Set	(Marked by *)		
10	121-546-14	Packing (Head Cover/M.Frame)	1	d120xd142x6.2t	NBR	
24	122-133-17	O-Ring (M.Frame/O.Casing)	1	G-110(109.4xd3.1)	NBR	
27	121-246-11	Packing (Oil Plug)	1	d10.3xd16x2t	PE	
29	121-000-20	Packing (O.Casing/P.Casing)	1	HS-4E	NR	
40	121-138-19	Packing (Hose Coupling)	1	LB(P.C.84)	NBR	
		Lubricant		Turbine Oil VG32 160ml		

PARTS LIST		CONTRACTOR PUMPS				6/10/2019
ITEM	PART No.	DESCRIPTION	QTY	SIZE	MATERIAL	NOTES

EXPLODED VIEW

HSZ2.4S-52/62

