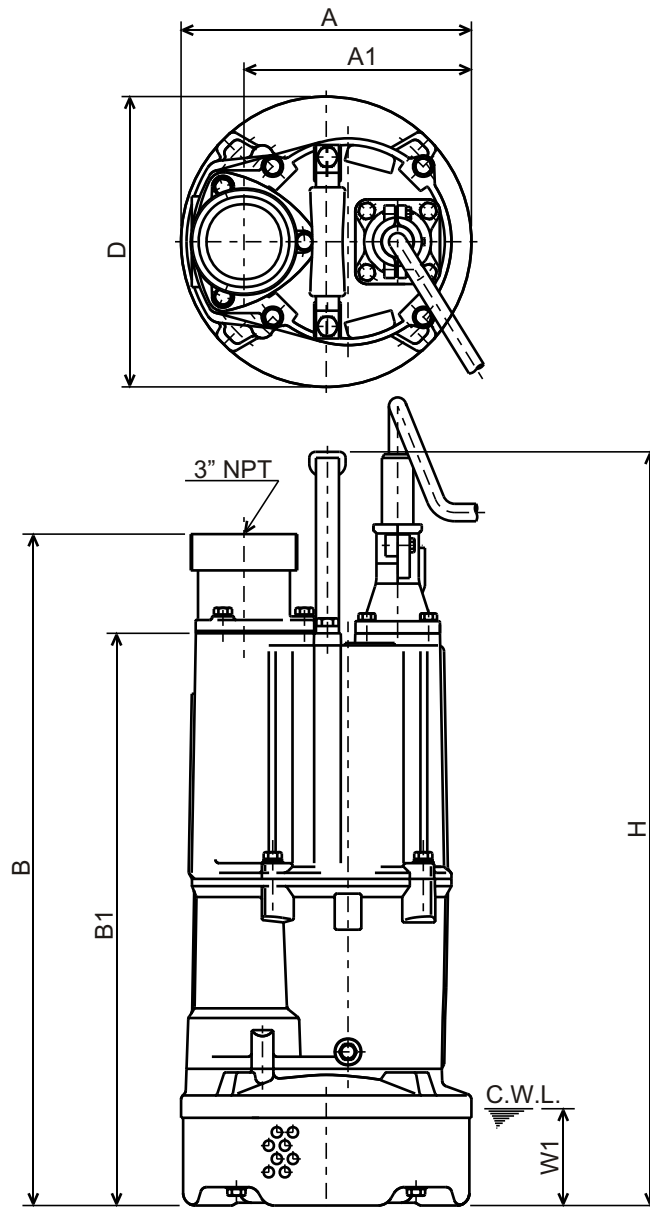




**NK - SERIES**  
**SEMI-VORTEX - DEWATERING PUMPS**

**DIMENSIONS**

**NK2-15**  
**NK2-22**



C.W.L. : Continuous running Water Level

**DIMENSIONS:USCS (Inch)**

Model	HP	NOM. SIZE	Pump & Motor						C.W.L.	Wt. (lbs.)
			A	A1	B	B1	D	H	W1	
NK2-15	2	3"	9 7/16	7 3/8	21 7/8	18 5/8	9 7/16	24 1/2	3 1/4	63.5
NK2-22	3	3"	9 7/16	7 3/8	21 7/8	18 5/8	9 7/16	24 1/2	3 1/4	64

**DIMENSIONS:METRIC (mm)**

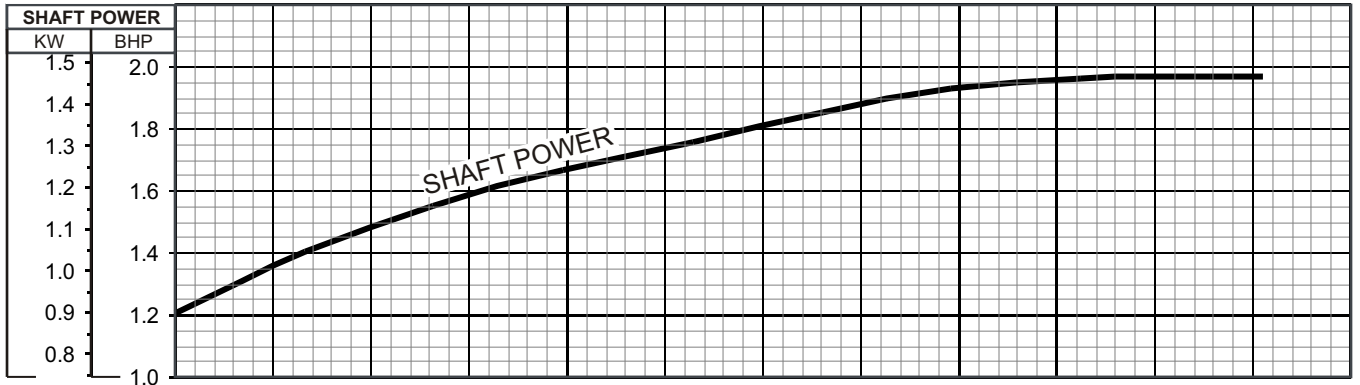
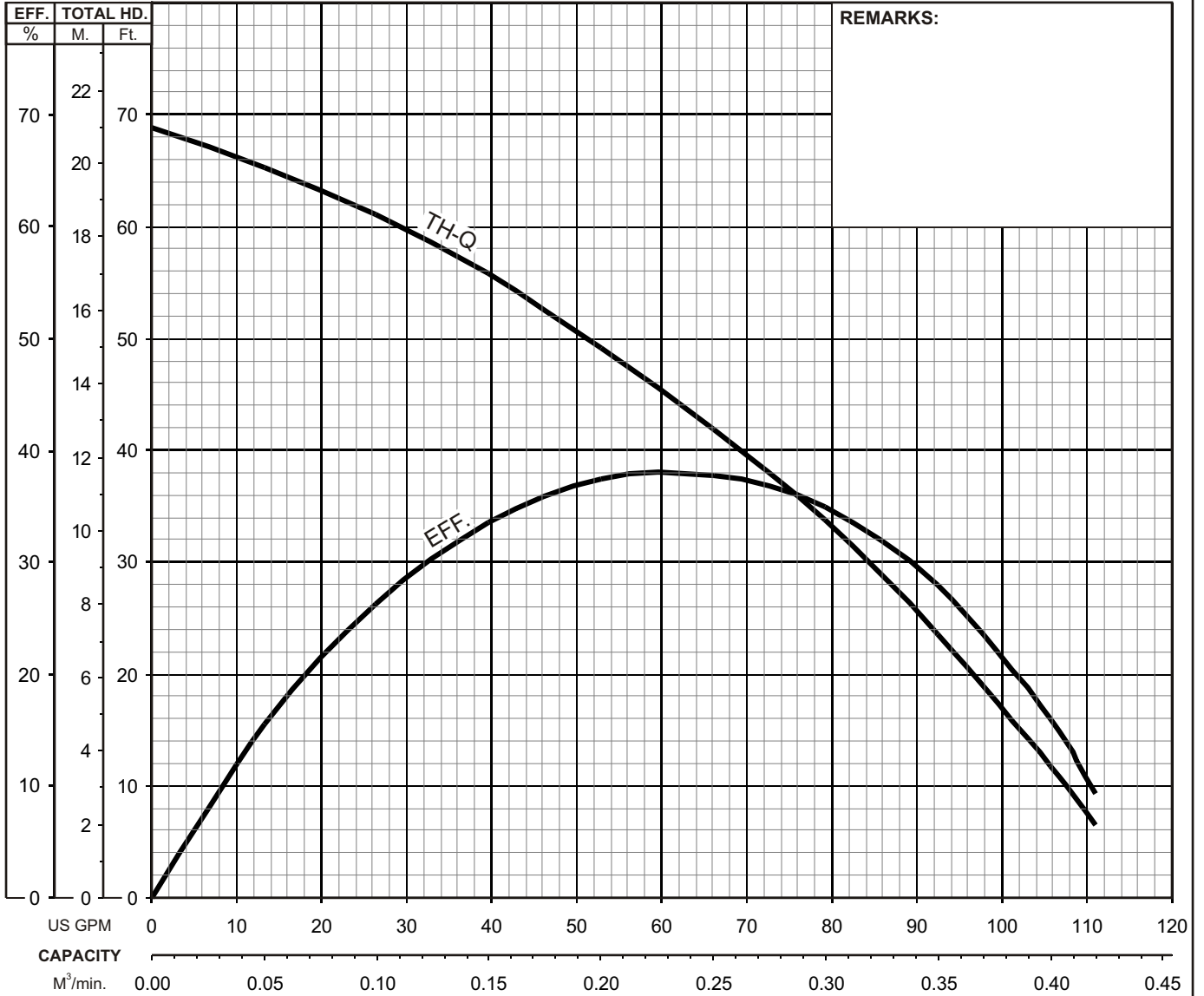
Model	kW	NOM. SIZE	Pump & Motor						C.W.L.	Wt. (kg)
			A	A1	B	B1	D	H	W1	
NK2-15	1.5	80	240	188	555	473	240	623	80	28.8
NK2-22	2.2	80	240	188	555	473	240	623	80	29.0

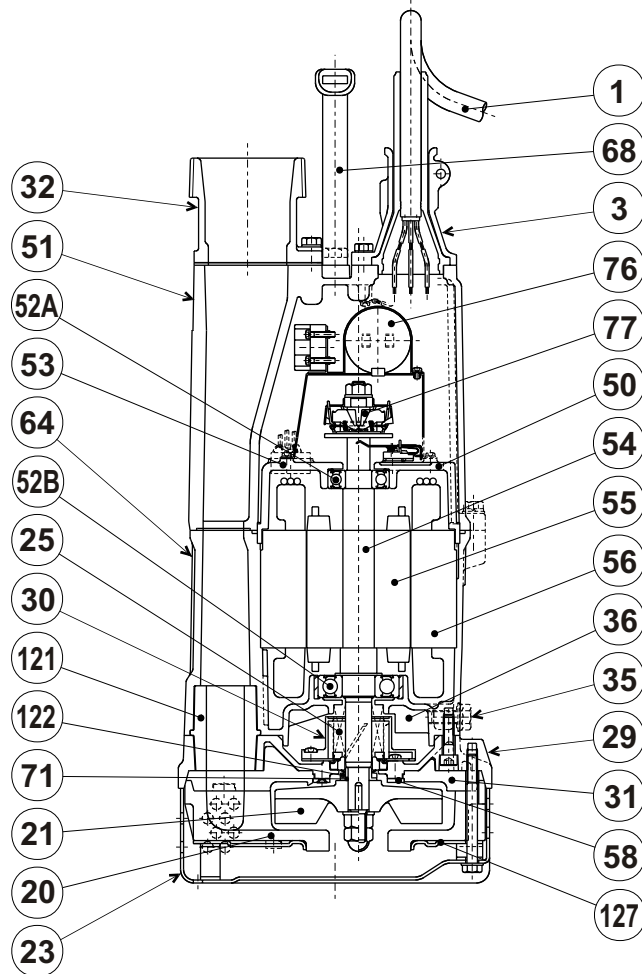


## NK - SERIES SEMI-VORTEX - DEWATERING PUMPS

## PERFORMANCE CURVE

MODEL	BORE	HP	KW	RPM	SOLIDS DIA	LIQUID	SG.	VISCOSITY	TEMP.
NK2-15	3"/80mm	2	1.5	3440	0.334"/8.5mm	Water	1.0	1.123 cSt.	60°F
PUMP TYPE	PHASE	VOLTAGE	AMPERAGE	HZ	STARTING METHOD	INS. CLASS			
Semi-Vortex Dewatering Pump	Single	110 / 220 <small>(Dual Voltage)</small>	23.0 / 11.5	60	Capacitor Start	B			
CURVE No.	DATE	PHASE	VOLTAGE	AMPERAGE	HZ	STARTING METHOD	INS. CLASS		
-	-	-	-	-	-	-	-		



**NK2-15**


ITEM#	DESCRIPTION	MAIN MATERIAL / NOTE	RELATED ASTM, AISI CODE	RELATED EN CODE	Q'TY
1	Power Cable	Chloroprene Sheath AWG12/3-32ft			1
3	Stuffing Box	Aluminium Alloy Die Casting	B85 383.0	EN 1706 AC-46100	1
20	Pump Casing	Butadiene Rubber + Natural Rubber			1
21	Impeller	Ductile Cast Iron	A536 100-70-03	EN 1563 GJS-700-2	1
23	Suction Strainer	Steel (Cold Rolled )	A109/A1008	EN 10130	1
25	Mechanical Seal	Silicon Carbide / H-20T			1
30	Oil Lifter	PBT Plastic w/(GF+MD)40			1
29	Oil Casing	Aluminium Alloy Die Casting	B85 383.0	EN 1706 AC-46100	1
31	Wear Ring	Butadiene Rubber			1
32	Discharge Connection	Cast Iron / NPT 3"	A48M Class30B	EN 1561 GJL-200	1
35	Oil Plug	Stainless Steel	S 30400	1.4301	1
36	Lubricant	Turbine Oil ISO VG32 or SAE 10W-20			
50	Motor Bracket	Aluminium Alloy Die Casting	B85 383.0	EN 1706 AC-46100	1
51	Motor Head Cover	Aluminium Alloy Die Casting	B85 383.0	EN 1706 AC-46100	1
52A	Upper Bearing	#6204ZZC3			1
52B	Lower Bearing	#6305ZZC3			1
53	Motor Protector				1
54	Shaft	Stainless Steel	S 40300	1.4000	1
55	Rotor				1
56	Stator				1
58	Protection Plate				1
64	Motor Housing	Aluminium Alloy Die Casting	B85 383.0	EN 1706 AC-46100	1
68	Handle	Steel (Cold Rolled) + NBR Rubber	A109/A1008	EN 10130	1
71	Shaft Sleeve	Stainless Steel	S 30400	1.4301	1
76	Capacitor				1
77	Centrifugal Switch				1
121	Duct Sleeve	Styrene Butadiene Rubber			1
122	V-Ring	Nitrile Butadiene Rubber			1
127	Fixing Plate	Steel (Cold Rolled )	A109/A1008	EN 10130	1

PARTS LIST		SINGLE PHASE DEWATERING PUMP			2/5/2018	
ITEM	PART No.	DESCRIPTION	QTY	SIZE	MATERIAL	NOTES
1	001-500-11	Cabtyre Cable Set (32') 60Hz(USA)	1	2PNCTF3Cx3.5mm2	STOW	
2	140-033-12	Hex.Bolt	2	M6x16	SUS304	included in ITEM#1 Cable Ass'y
3	140-418-15	Hex.Bolt	4	M8x25(B=12)	SUS304	
4	142-210-11	Plain Washer	4	d8.6xd13.4x1t	SUS304	
5	003-122-24	Stuffing Box	1	No.1-1(w/Clamp)	ADC	included in ITEM#1 Cable Ass'y
6	008-120-14	Mould Cover	1	No.1-5	CR	included in ITEM#1 Cable Ass'y
7	009-194-12	Intermediate Lead Wire	1Set	AWG-14x360L(R2-4)		
8	143-085-34	Pan Screw (w/Spring Washer)	1	M4x6	C3604	
9	009-143-16	Terminal	6	R-3.5-5S	CU	
9-1	143-070-10	Pan Screw	3	M5x6	SWRM	
9-2	141-003-58	Hex.Nut	3	M5	SWRM	
9-3	002-128-14	Heat Shrink Tube (Sold per meter)	m	EVA(d10x1t)	(Vm)	
9-4	002-164-12	Heat Shrink Tube (Sold per meter)	m	A4(d13x0.3t)	(Vm)	
10	009-222-10	Intermediate Lead Wire	1Set	AWG-12x400L(3.5Y-U)		
11	009-221-19	Intermediate Lead Wire	1Set	AWG-12x400L(3.5Y-U)		
12	140-506-11	Hex.Bolt w/plain washer	3	M8x35	SUS304	
13	142-127-23	Plain Washer	3	M8	SPC	
14	032-355-15	Hose Coupling 3"	1	KTV2-15(NPT-3)	FC	
	032-351-11	Hose Coupling 2" (OPTION)	1	2" NPT	FC	OPTION
15	121-001-09	Packing	1	KTV2-15/22	NBR	*
16	068-000-35	Handle (for USA)	1	KTV-15/22	SPC+Rubber	interchangeable with OLD part# 068-232-16 (no TSURUMI logo)
17	140-074-15	Hex.Bolt	2	M10x20	SUS304	
18	140-056-11	Hex.Bolt	4	M8x30	SUS304	
19	142-163-18	Spring Washer	4	M8	SUS304	
20	142-127-10	Plain Washer	4	M8	SUS304	
21	051-225-14	Motor Head Cover	1		ADC	
22	122-473-12	O-Ring	1	150xd3.3	NBR	*
23	143-085-34	Pan Screw (w/Spring Washer)	1	M4x6	C3604	
24	076-141-12	Capacitor	1	750MF-125VAC		
25	078-115-39	Centrifugal Switch Cover	1	NK2-15	SPC	
26	143-085-34	Pan Screw (w/Spring Washer)	4	M4x6	C3604	
27	006-171-14	Terminal Box	1	NK2-15		
28	143-016-18	Pan Screw	2	M4x12	SWRM	
29	009-201-13	Intermediate Lead Wire	3Set	AWG-12x240L(3.5Y-U)		
30	143-136-15	Truss Screw	2	M4x10	SWRM	
31	053-219-11	Motor Protector 110V-60Hz(USA)	1	KA143-CCZL402	(H.C)	
	053-219-11	Motor Protector 220V-60Hz(USA)	1	KA143-CCZL402	(H.C)	
32	009-200-12	Intermediate Lead Wire	1Set	AWG-14x200L(N2-3)		

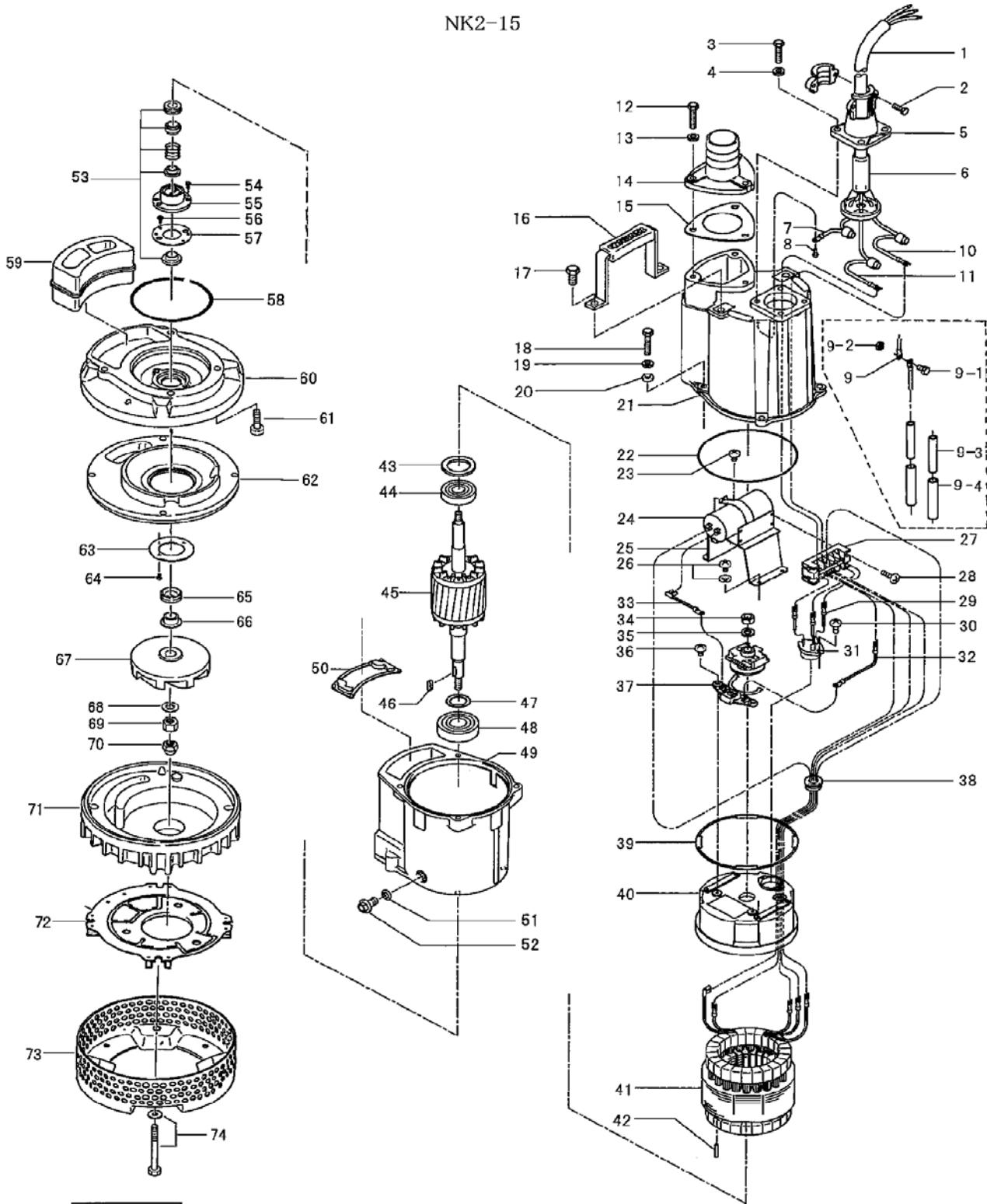
PARTS LIST		SINGLE PHASE DEWATERING PUMP			2/5/2018	
ITEM	PART No.	DESCRIPTION	QTY	SIZE	MATERIAL	NOTES
33	009-199-20	Intermediate Lead Wire	1Set	AWG-14x220L(#41802)		
34	141-119-16	Hex.Nut	1	M10 (U-nut)	SS	
35	142-128-24	Plain Washer	1	M10	SPC	
36	143-015-17	Pan Screw	2	M4x10	SWRM	
37	077-115-10	Centrifugal Switch	1	GS-114		
38	016-143-18	Lead Wire Protection Bush	1	d18x45l	NBR	interchangeable with OLD part# 016-132-14
39	121-474-10	Packing	1	NK2-15/22	NBR	*
40	050-416-11	Motor Bracket	1		FC	
41	056-708-11	Stator 110V-60Hz(USA)	1Set			
	056-708-11	Stator 220V-60Hz(USA)	1Set			
42	145-031-15	Spring Pin	1	#4x25l	SCM	
43	142-195-19	Wave Washer	1	6204/6303(d47x,0.3t)	SK5	
44	052-103-18	Bearing	1	6204ZZC3		
45	055-695-11	Rotor	1	w/Bearing		
46	147-128-16	Impeller Key	1	5x5x18.5l	SUS403	
47	061-161-12	Bearing Collar	1	d25.1xd36x1.6t	SPC	
48	052-108-13	Bearing	1	6305ZZC3		
49	064-000-84	Motor Frame	1		ADC	
50	121-445-12	Packing (Water Way, Upp.)	1	KTV2-15/22	NBR	*
51	121-246-11	Packing	1	d10.3xd16x2t	PE	*
52	035-125-13	Oil Plug	1	M10x20(B=13)	SUS304	
53	025-243-17	Mechanical Seal	1	H-20T	SIC	
54	143-070-23	Pan Screw	2	M5x6	SWRM	
55	030-144-13	Oil Lifter	1	H-20(A)(T)	Resin	
56	143-070-10	Pan Screw	2	M5x6	SWRM	
57	030-155-17	Seal Stopper	1	H-20(KTV2)	SPCC	
58	122-134-18	O-Ring	1	G-115(114.4xd3.1)	NBR	*
59	121-001-04	Packing (Water Way, Low.)	1	KTV2-15/22	SBR	*
60	029-000-77	Oil Casing	1	KTV2-15/22	ADC	interchangeable with OLD part# 029-408-14
61	140-270-13	Hex.Socket Cap Bolt	4	M8x30	SUS304	
62	031-000-08	Wear Ring	1	KTV2-15/22	BR+NR	
63	058-000-25	Protection Plate	1	d44xd70x3t	SUS304	interchangeable with OLD part# 058-000-10
64	143-166-14	Flat Screw	2	M4x8	SUS304	
65	122-443-13	V-Ring	1	VR-20	NBR	
66	071-297-19	Shaft Sleeve	1	d16xd20x10l	SUS304	
67	021-F73-17	Impeller (60Hz)	1	NK2-15	FCD	
	021-F72-16	Impeller (50Hz)	1	NK2-15	FCD	50Hz Option
68	142-129-12	Plain Washer	1	M12	SUS304	

PARTS LIST		SINGLE PHASE DEWATERING PUMP				2/5/2018
ITEM	PART No.	DESCRIPTION	QTY	SIZE	MATERIAL	NOTES
69	141-007-10	Hex.Nut	1	M12	SUS304	
70	141-032-14	Hex.Cap Nut	1	M12	SUS304	
71	020B1918	Pump Casing	1	KTV2-15/22	BR+NR	
72	127-249-12	Fixing Plate	1	KTV2-15/22	SPCC	
73	023-432-19	Strainer Stand	1	KTV2-15/22	SPCC	
74	140-479-14	Hex.Bolt (w/Plain Washer)	4	M8x85	SUS304	
	173-502-19	<b>Packing O-Ring Set</b>	1Set	(Marked by *)		
15	121-001-09	Packing (Hose Coupling)	1	KTV2-15/22	NBR	*
22	122-473-12	O-Ring (M.Head cover/M.Frame)	1	150xd3.3	NBR	*
39	121-474-10	Packing (M.Head cover/M.Frame)	1	NK2-15/22	NBR	*
50	121-445-12	Packing (Water Way, Upp.)	1	KTV2-15/22	NBR	*
51	121-246-11	Packing (Oil Plug)	1	d10.3xd16x2t	PE	*
58	122-134-18	O-Ring (M.Frame/O.Casing)	1	G-115(114.4xd3.1)	NBR	*
59	121-001-04	Packing (Water Way, Low.)	1	KTV2-15/22	SBR	*

PARTS LIST		SINGLE PHASE DEWATERING PUMP				2/5/2018
ITEM	PART No.	DESCRIPTION	QTY	SIZE	MATERIAL	NOTES

## EXPLODED VIEW

NK2-15



C-00151-1