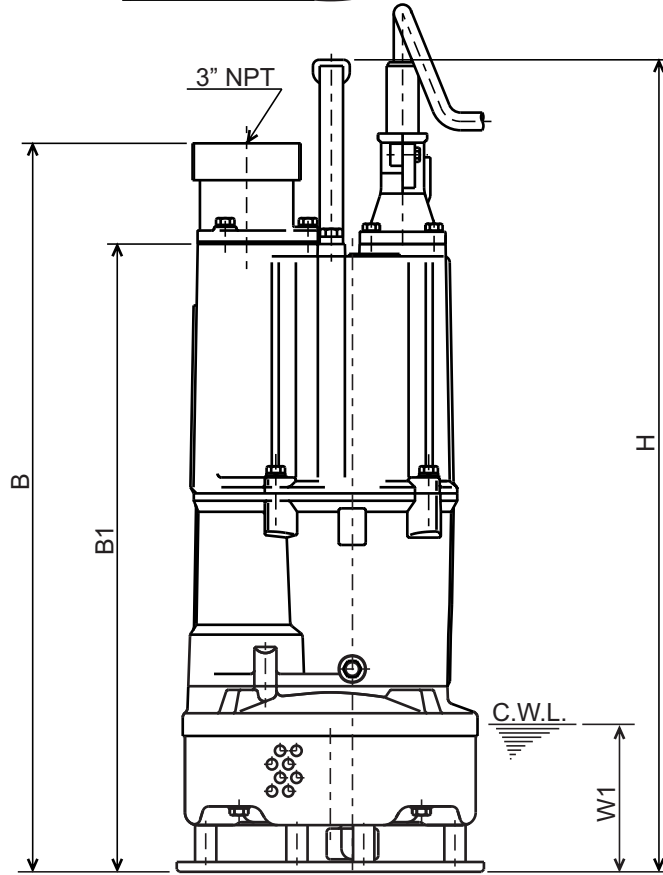
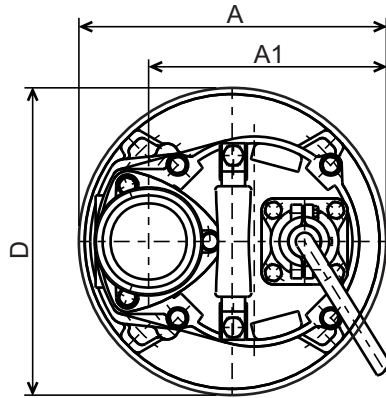




**NK - SERIES [SAND]
SEMI-VORTEX - AGITATOR PUMPS**

DIMENSIONS

**NK2-15SK
NK3-22SK**



C.W.L. : Continuous running Water Level

DIMENSIONS:USCS (Inch)

Model	HP	NOM. SIZE	Pump & Motor						C.W.L.	*Wt.
			A	A1	B	B1	D	H	W1	(lbs.)
NK2-15SK	2	3"	9 13/16	7 15/16	23 3/8	20 1/8	9 13/16	26	4 3/4	71.0
NK3-22SK	3	3"	9 13/16	7 15/16	23 3/8	20 1/8	9 13/16	26	4 3/4	71.4

* Excluding Cable

DIMENSIONS:METRIC (mm)

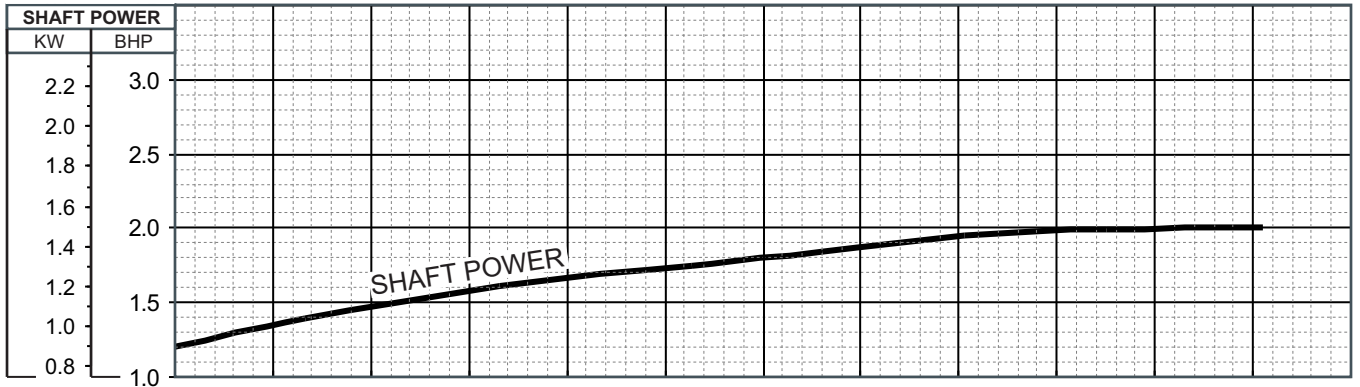
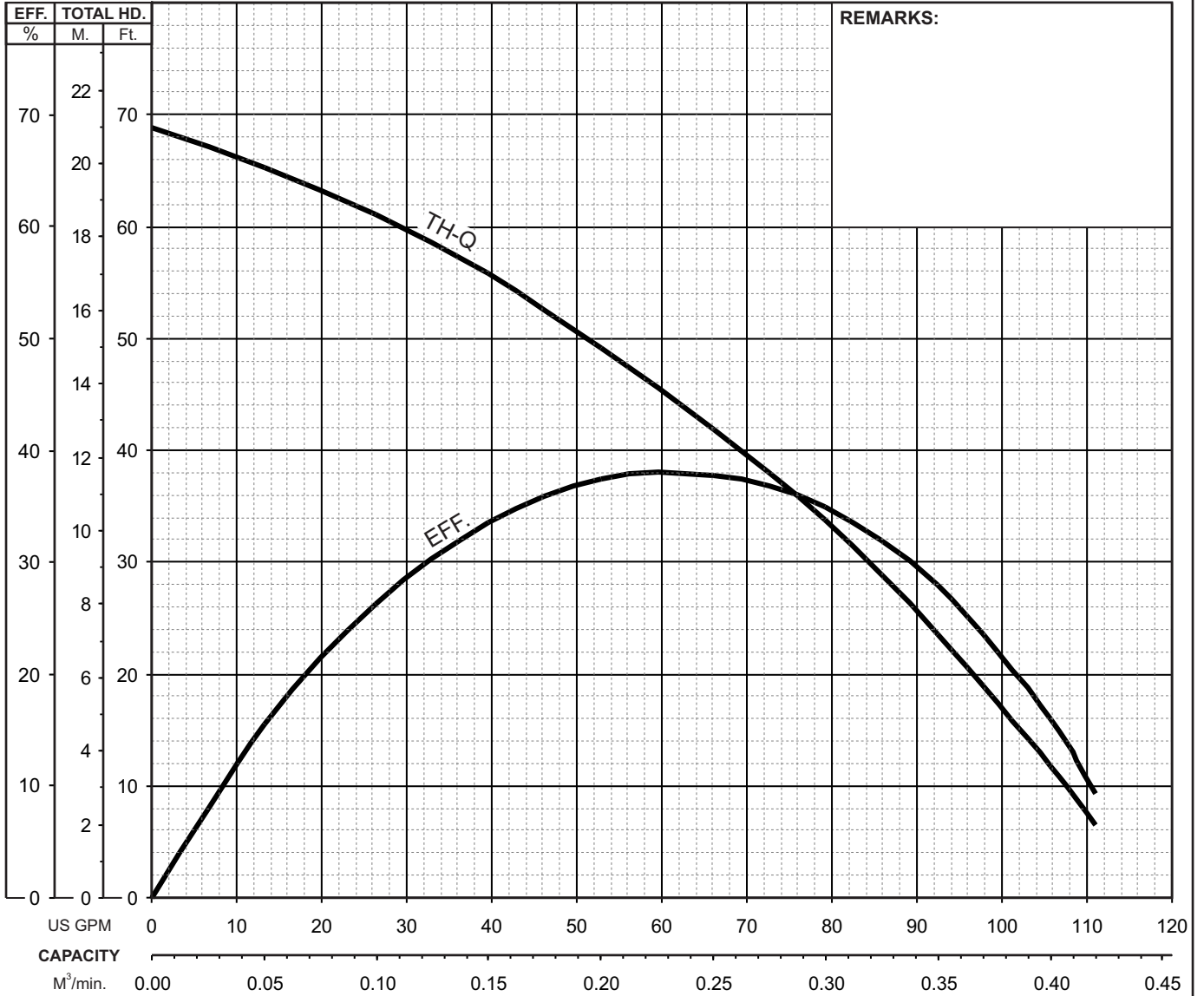
Model	kW	NOM. SIZE	Pump & Motor						C.W.L.	*Wt.
			A	A1	B	B1	D	H	W1	(kg)
NK2-15SK	1.5	80	250	202	593	511	250	661	120	32.2
NK3-22SK	2.2	80	250	202	593	511	250	661	120	32.4



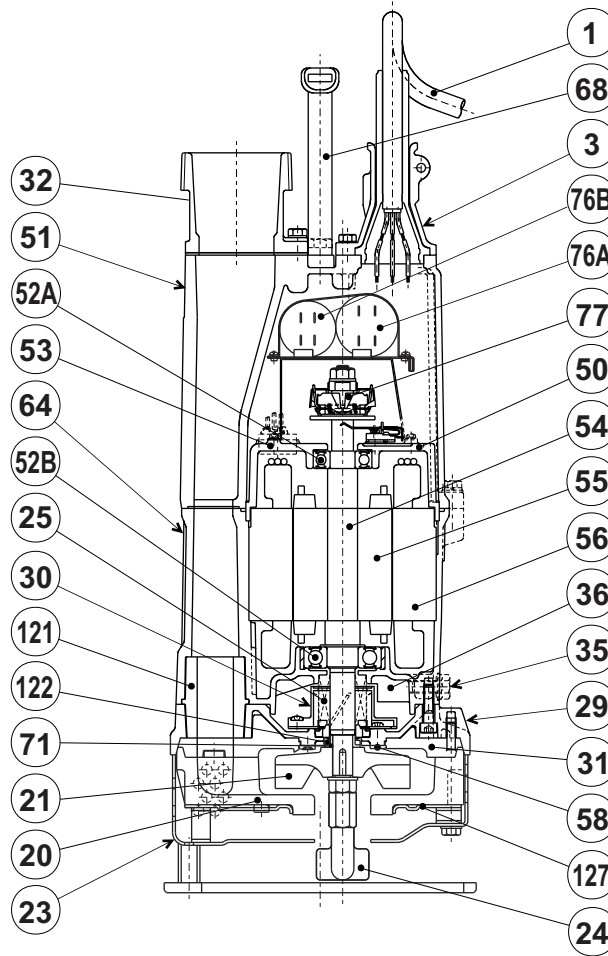
NK - SERIES [SAND] SEMI-VORTEX - AGITATOR PUMPS

PERFORMANCE CURVE

MODEL	BORE	HP	KW	RPM	SOLIDS DIA	LIQUID	SG.	VISCOSITY	TEMP.
NK3-22SK	3"/80mm	3	2.2	3465	0.334"/8.5mm	Water	1.0	1.123 cSt.	60°F
PUMP TYPE		PHASE	VOLTAGE	AMPERAGE	HZ	STARTING METHOD		INS. CLASS	
Semi-Vortex - Agitator Pump		Single	220	13.0	60	Capacitor Start		B	
CURVE No.	DATE	PHASE	VOLTAGE	AMPERAGE	HZ	STARTING METHOD		INS. CLASS	
-	-	-	-	-	-	-		-	



NK3-22SK



ITEM#	DESCRIPTION	MAIN MATERIAL / NOTE	RELATED ASTM, AISI CODE	RELATED EN CODE	Q'TY
1	Power Cable	Chloroprene Sheath AWG14/3-32ft			1
3	Stuffing Box	Aluminium Alloy Die Casting	B85 383.0	EN 1706 AC-46100	1
20	Pump Casing	Butadiene Rubber + Natural Rubber			1
21	Impeller	High Chrome Cast Iron	A532 ClassIII TypeA	DIN 1695 G-X260Cr27	1
23	Suction Strainer	Steel (Cold Rolled)	A109/A1008	EN 10130	1
24	Agitator	Ductile Cast Iron	A536 100-70-03	EN 1563 GJS-700-2	1
25	Mechanical Seal	Silicon Carbide / H-20T			1
30	Oil Lifter	PBT Plastic w/(GF+MD)40			1
29	Oil Casing	Aluminium Alloy Die Casting	B85 383.0	EN 1706 AC-46100	1
31	Wear Ring	Butadiene Rubber			1
32	Discharge Connection	Cast Iron / NPT 3"	A48M Class30B	EN 1561 GJL-200	1
35	Oil Plug	Stainless Steel	S 30400	1.4301	1
36	Lubricant	Turbine Oil ISO VG32 or SAE 10W-20			
50	Motor Bracket	Aluminium Alloy Die Casting	B85 383.0	EN 1706 AC-46100	1
51	Motor Head Cover	Aluminium Alloy Die Casting	B85 383.0	EN 1706 AC-46100	1
52A	Upper Bearing	#6204ZZC3			1
52B	Lower Bearing	#6305ZZC3			1
53	Motor Protector				1
54	Shaft	Stainless Steel	S 40300	1.4000	1
55	Rotor				1
56	Stator				1
64	Motor Housing	Aluminium Alloy Die Casting	B85 383.0	EN 1706 AC-46100	1
68	Handle	Steel (Cold Rolled) + NBR Rubber	A109/A1008	EN 10130	1
71	Shaft Sleeve	Stainless Steel	S 30400	1.4301	1
76A	Capacitor				1
76B	Capacitor				1
77	Centrifugal Sw itch				1
121	Duct Sleeve	Styrene Butadiene Rubber			1
122	V-Ring	Nitrile Butadiene Rubber			1
127	Fixing Plate	Steel (Cold Rolled)	A109/A1008	EN 10130	1