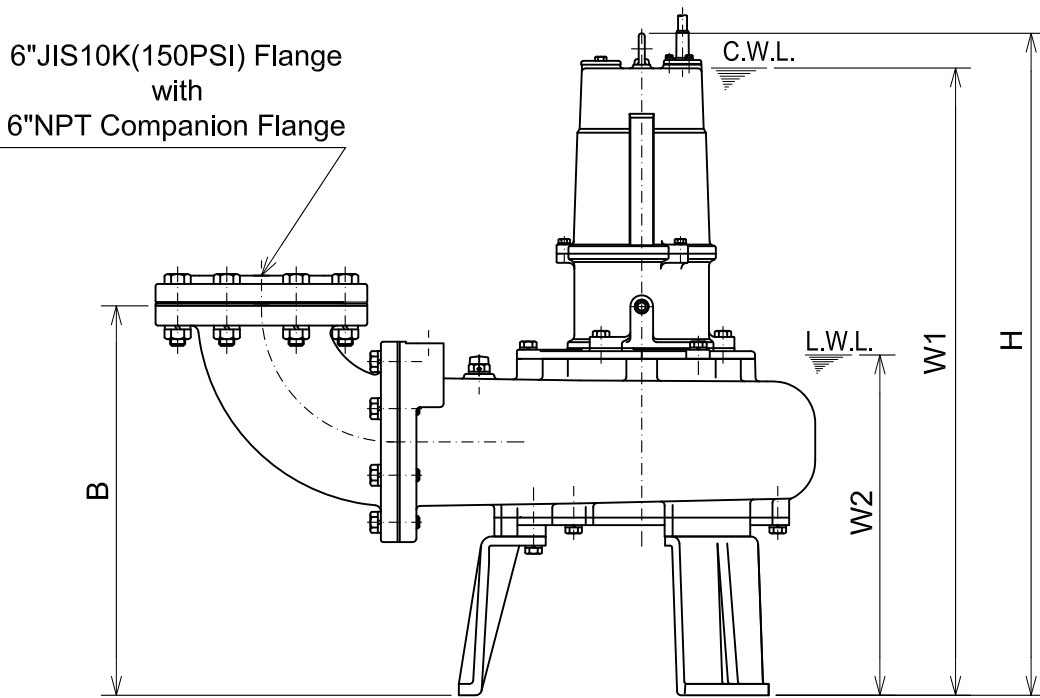
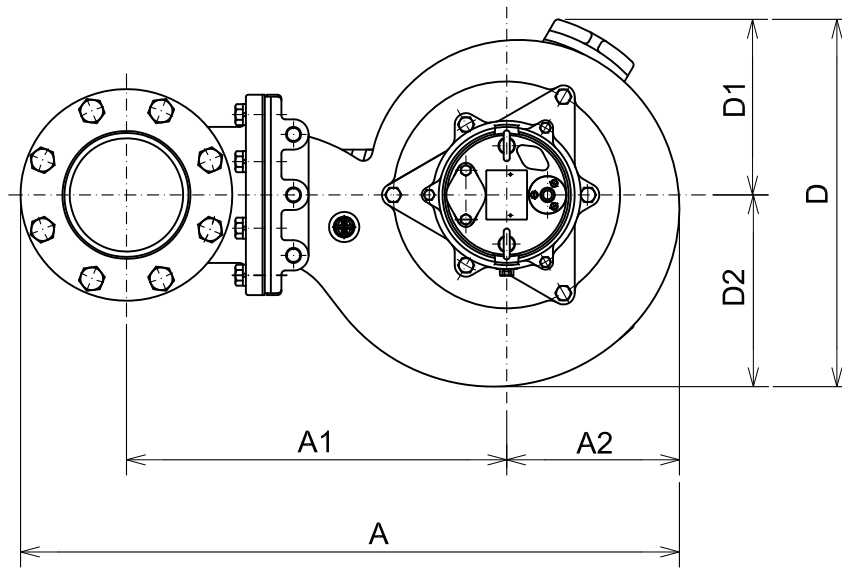


TSURUMI PUMP	B-SERIES SEWAGE & WASTEWATER PUMPS	DIMENSIONS
---------------------	--	-------------------

150B43.7 -62



6"JIS10K(150PSI) Flange with 6"NPT Companion Flange

C.W.L. :Continuous running Water Level
 L.W.L. :Lowest running Water Level

DIMENSIONS:USCS(Inch)

Model	HP	NOM. SIZE	Pump & Motor								C.W.L. W1	L.W.L. W2	*Wt. (lbs.)
			A	A1	A2	B	D	D1	D2	H			
150B43.7 -62	5	6"	34 15/16	19 13/16	9	20 1/4	19 1/8	9 1/8	10	34 7/16	32 5/8	17 3/4	330

DIMENSIONS:METRIC(mm)

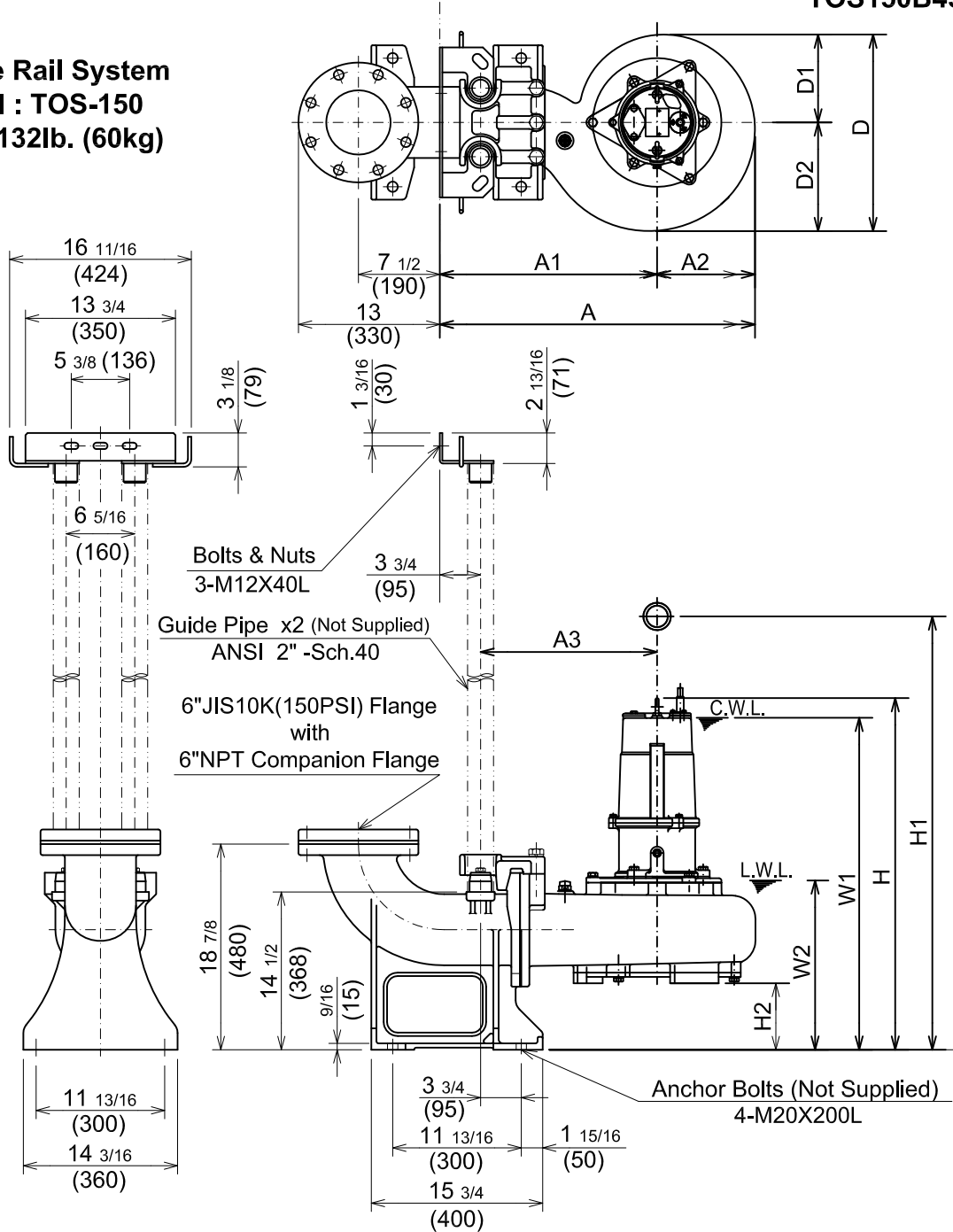
Model	kW	NOM. SIZE	Pump & Motor								C.W.L. W1	L.W.L. W2	*Wt. (kg)
			A	A1	A2	B	D	D1	D2	H			
150B43.7 -62	3.7	150	871	503	228	515	486	232	254	875	830	450	150

*Excluding Cable

<b style="font-size: 1.2em; vertical-align: middle;">TSURUMI PUMP	<b style="font-size: 1.2em;">B-SERIES SEWAGE & WASTEWATER PUMPS	<b style="font-size: 1.2em;">DIMENSIONS
---	---	---

TOS150B43.7 -62

Guide Rail System
Model : TOS-150
Wt. : 132lb. (60kg)



C.W.L. :Continuous running Water Level
 L.W.L. :Lowest running Water Level

DIMENSIONS:USCS(Inch)

Model	HP	NOM. SIZE	Pump & Motor									C.W.L.	L.W.L.	*Wt. (lbs.)	
			A	A1	A2	A3	D	D1	D2	H	H1				H2
TOS150B43.7 -62	5	6"	28 15/16	19 15/16	9	16 1/4	18 1/16	8 1/16	10	32 5/16	39 3/4	6 1/8	32 1/4	15 1/2	265

DIMENSIONS:METRIC(mm)

Model	kW	NOM. SIZE	Pump & Motor									C.W.L.	L.W.L.	*Wt. (kg)	
			A	A1	A2	A3	D	D1	D2	H	H1				H2
TOS150B43.7 -62	3.7	150	735	507	228	412	459	205	254	820	1010	155	820	395	120

*Excluding
Cable & TOS

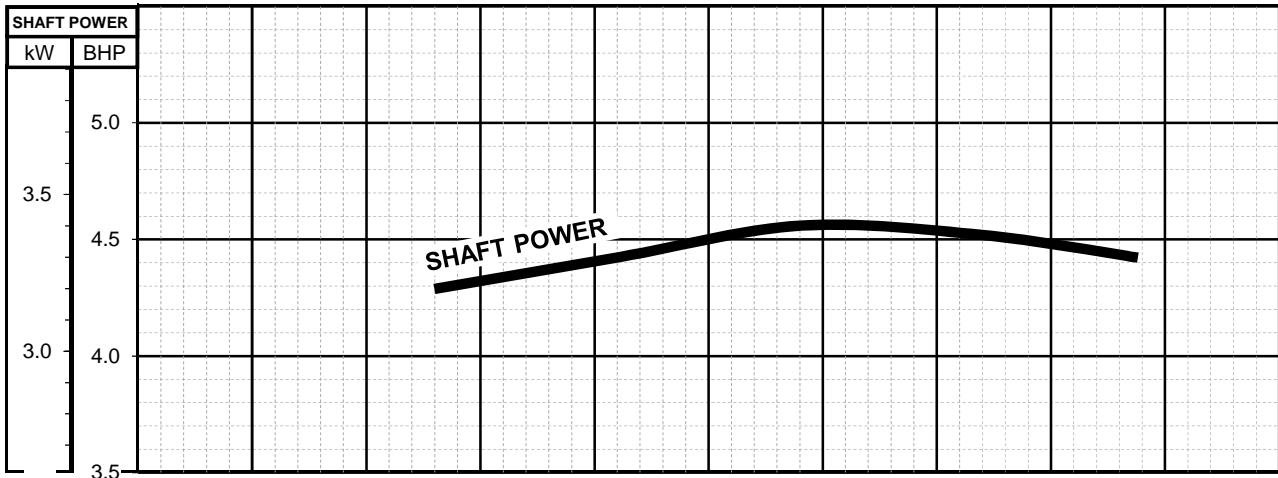
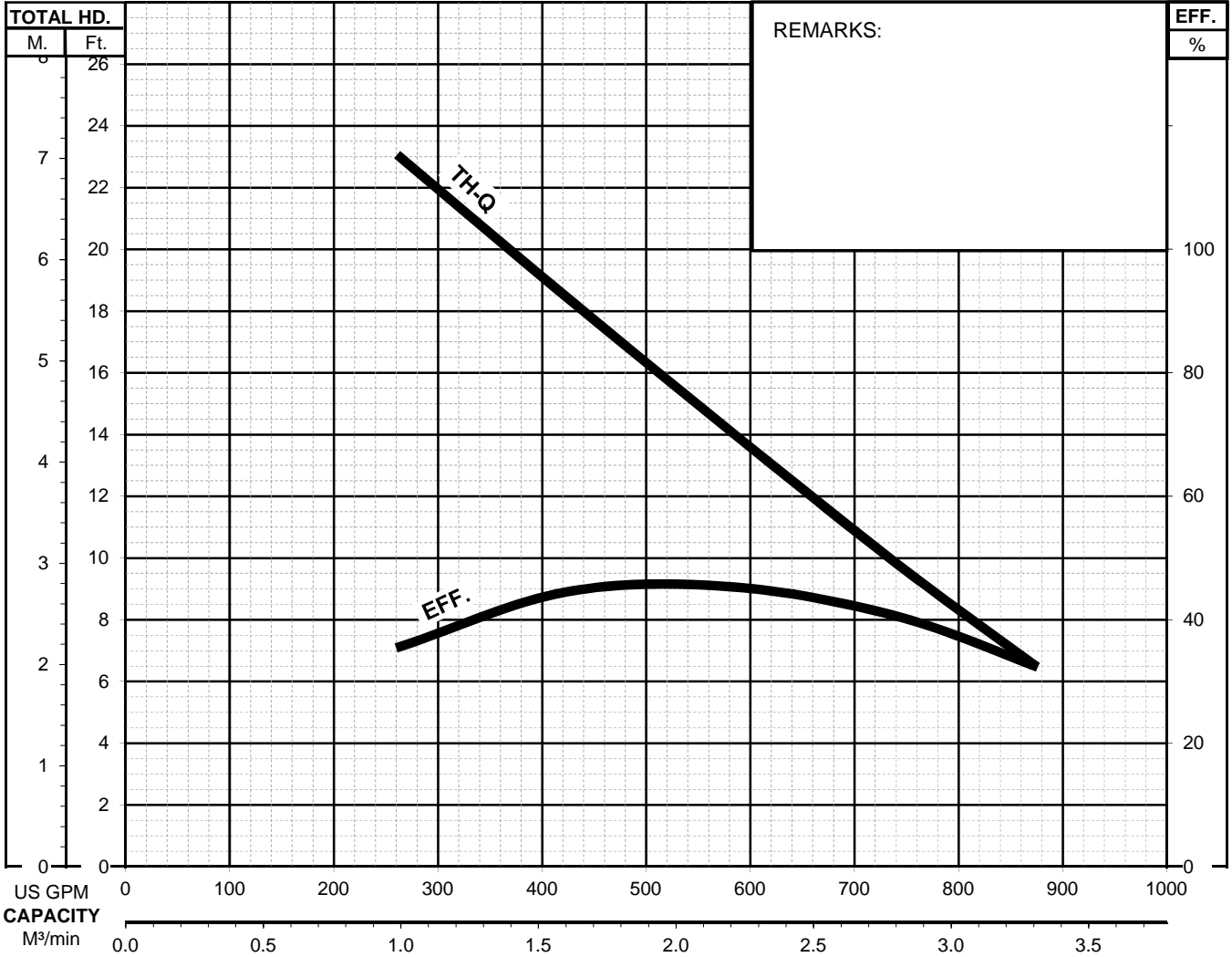


B - SERIES

SEWAGE & WASTEWATER PUMPS

PERFORMANCE
CURVE

MODEL		BORE	HP	kW	RPM	SOLIDS DIA.	LIQUID	SG.	VISCOSITY	TEMP.
150B43.7-62		6"/150mm	5.0	3.7	1690	2"/51mm	Water	1.0	1.123cSt.	60°F
PUMP TYPE		PHASE	VOLTAGE		AMPERAGE		HZ	STARTING METHOD		INS. CLASS
Sewage & Wastewater Pump		3	208-230/460/575		14.7-14.2 / 6.7 / 5.4		60	Direct On Line		B
CURVE No.	DATE	PHASE	VOLTAGE		AMPERAGE		HZ	STARTING METHOD		INS. CLASS
-	-	-	-		-		-	-		-

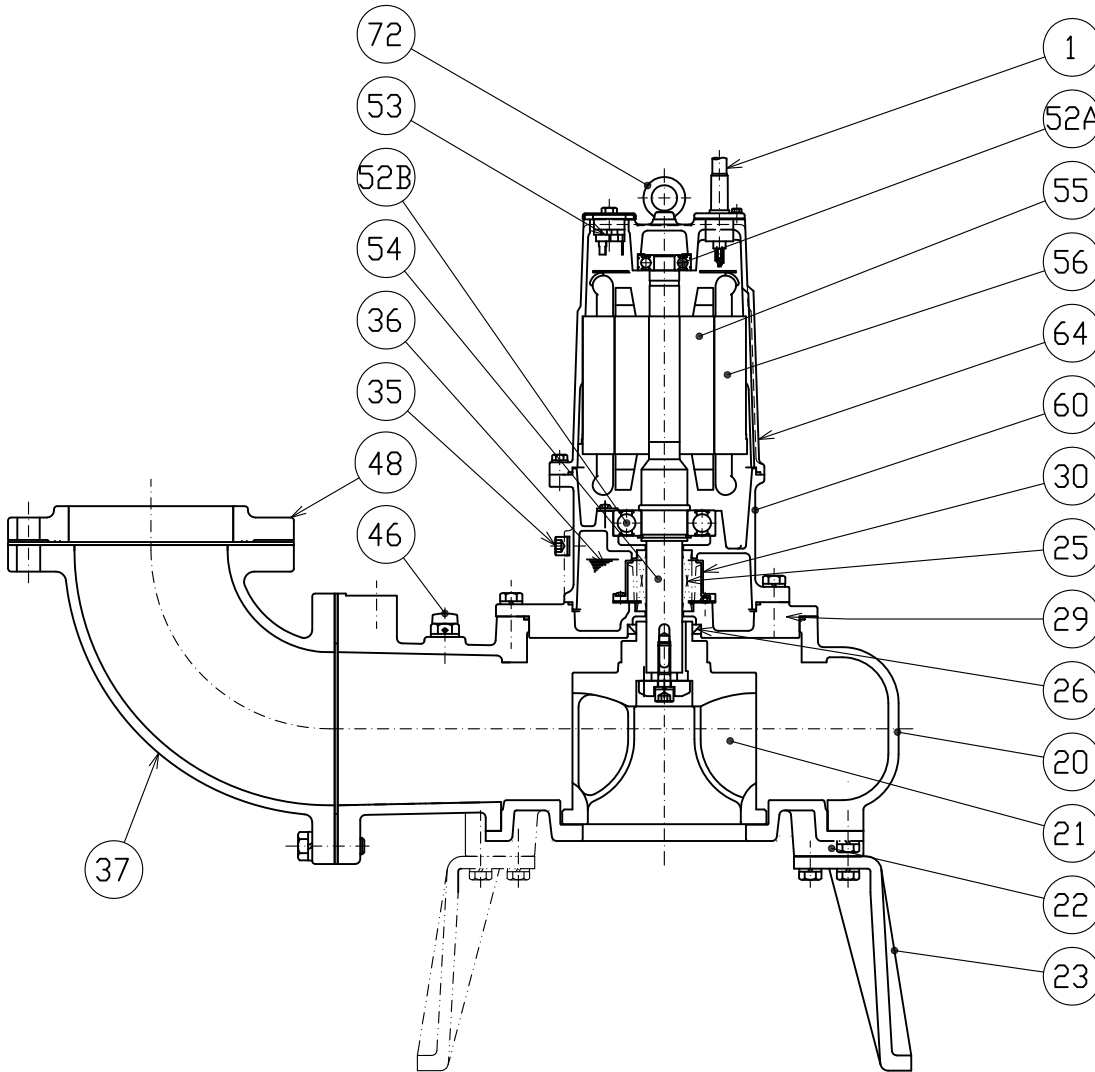




B-SERIES
SEWAGE & WASTEWATER PUMPS

SECTIONAL VIEW

150B43.7 -62



PART#	DESCRIPTION	MAIN MATERIAL / NOTE	RELATED ASTM,AISI CODE	RELATED EN CODE	QTY
1	Power Cable	Chloroprene Sheath AWG 12/4-32ft			1
20	Pump Casing	Cast Iron	A48M Class30B	EN 1561 GJL-200	1
21	Impeller	Cast Iron	A48M Class30B	EN 1561 GJL-200	1
22	Suction Cover	Cast Iron	A48M Class30B	EN 1561 GJL-200	1
23	Pump Stand	Ductile Cast Iron	A536 65-45-12	EN 1563 GJS-450-10	3
25	Mechanical Seal	Silicon Carbide / H-35A			1
26	Oil Seal	#TC557209			1
29	Oil Casing	Cast Iron	A48M Class30B	EN 1561 GJL-200	1
30	Oil Lifter	PBT Resin W/GF40			1
35	Oil Plug	Stainless Steel	S 30400	1.4301	1
36	Lubricant	Turbine Oil ISO VG32 or SAE 10W-20			
37	Discharge Bend	Cast Iron	A48M Class30B	EN 1561 GJL-200	1
46	Air Release Valve	Nylon			1
48	Companion Flange	Cast Iron / NPT 6"	A48M Class30B	EN 1561 GJL-200	1
52A	Upper Bearing	#6304ZC3			1
52B	Lower Bearing	#6309ZC3			1
53	Motor Protector				1
54	Shaft	Stainless Steel	S 42000	1.4028	1
55	Rotor				1
56	Stator				1
60	Bearing Housing	Cast Iron	A48M Class25B	EN 1561 GJL-150	1
64	Motor Housing	Cast Iron	A48M Class25B	EN 1561 GJL-150	1
72	Lifting Lug Bolt	Stainless Steel	S30400	1.4301	2

PARTS LIST		SEWAGE & WASTEWATER PUMP			12/20/2016	
ITEM	PART No.	DESCRIPTION	QTY	SIZE	MATERIAL	NOTES
1	001-150-25	Cabtyre Cable Set (32')	1	VCT4Cx3.5mm2	BE/CE	
2	140-021-17	Hex.Bolt	3	M5x20	SUS304	
3	142-422-18	Seal Washer	3	PM-5	SUS+NBR	
4	003-111-20	Gland	1		SUS304	included in ITEM#1 Cable Assembly
5	009-275-18	Compression type Terminal	4	TGNB-5.5(Insulated)	CU	
6	072-100-20	Eye Bolt	2	M10	SUS304	
7	064-509-15	Motor Frame	1		FC	
8	140-055-10	Hex.Bolt	3	M8x25	SUS304	
9	142-163-18	Spring Washer	3	M8	SUS304	
10	142-196-10	Wave Washer	1	6205/6304	SK5	
11	052-188-17	Bearing (w/O-ring)	1	AC-6304ZZC3		
12	058-000-46	Lead Wire Protection Plate	1	d66xd148x1.6t	Bakelite	
13	056-596-14	Stator	1Set			
14	--	Rotor	1Set			
15	140-053-18	Hex.Bolt	2	M8x18	SUS304	
16	127-195-12	Protector Fixing Plate	1	22/37-BE2	SUS304	
17	121-446-13	Packing	1	22/37-BE2	NBR	*
18	053-241-25	Motor Protector	1	KA313-GGXL110	(T.C)	
19	143-087-23	Pan Screw (w/Spring Washer)	2	M4x10	SWRM	
20	141-004-59	Hex.Nut	1	M6	SWRM	
21	009-159-15	Terminal	1	R-2-6	CU	
22	129-003-18	Stopper	1	M6x160(11/20)	SS	
23	--	Impeller Key	1	10x8x43L	SUS420	
24	143-042-13	Pan Screw	3	M6x10	SWRM	
25	062-196-19	Bearing Fixing Washer	3	d8xd20.5x2.3t	SS	
26	052-112-10	Bearing	1	6309ZZC3		
27	146-027-11	Retaining Ring	1	C45	SK5	
28	122-333-19	O-Ring	1	170xd3.1	NBR	*
29	060-375-18	Bearing Housing	1		FC	
30	140-098-15	Hex.Bolt	3	M12x35	SUS304	
31	142-165-10	Spring Washer	3	M12	SUS304	
32	121-247-12	Packing	1	d12.3xd18x2t	PE	*
33	035-113-18	Oil Plug	1	M12x14	SUS304	
34	025-280-16	Mechanical Seal	1	H-35A	SiC+CCBN	
35	143-070-23	Pan Screw	2	M5x6	SWRM	
36	030-156-18	Oil Lifter	1	H-35(A)(T)	Resin	
37	143-070-10	Pan Screw	3	M5x6	SWRM	
38	030-150-12	Seal Stopper	1	H-35(A)(T)	SPCC	

PARTS LIST		SEWAGE & WASTEWATER PUMP			12/20/2016	
ITEM	PART No.	DESCRIPTION	QTY	SIZE	MATERIAL	NOTES
39	140-098-15	Hex.Bolt	3	M12x35	SUS304	
40	142-165-10	Spring Washer	3	M12	SUS304	
41	122-246-14	O-Ring	1	180xd3.1	NBR	*
42	029-267-19	Oil Casing	1	4SCRH3.7	FC200	
43	122-254-15	O-Ring	1	265xd3.8	NBR	
44	046-107-13	Air Release Valve	1	PT-1/2	Nylon	
45	--	Pump Casing	1	150C43.7	FC	
46	026-156-15	Oil Seal	1	TC-557209	NBR	
	040-113-14	Impeller Shim		d32.5xd48x0.3t	SUS304	
47	021--	Impeller (60Hz)	1	100B43.7-62	FC	
	021-008-02	Impeller (50Hz) OPTION	1	100B43.7-52	FC	50Hz OPTION
48	144-530-16	Hex.Socket Set Screw	2	M6x15	SUS304	
49	142-202-10	Impeller Washer	1	d13xd50x15t	SUS304	
50	140-304-17	Hex.Socket Cap Bolt	1	M12x45	SUS304	
51	120-173-13	Packing	1	11-4B4	PE	
52	022-737-14	Suction Cover	1	22/37-BE3	FC	
53	142-165-10	Spring Washer	3	M12	SUS304	
54	140-099-16	Hex.Bolt	3	M12x40	SUS304	
55	023-289-19	Pump Stand	3	200-11-4B2	FCD450	
56	142-165-10	Spring Washer	3	M12	SUS304	
57	140-099-16	Hex.Bolt	3	M12x40	SUS304	
58	142-165-10	Spring Washer	3	M12	SUS304	
59	140-103-14	Hex.Bolt	3	M12x60	SUS304	
60	037-119-10	Discharge Bend(For 150mm)	1	150x150mm	FC	
61	140-127-14	Hex.Bolt	8	M16x55	SUS304	
62	142-166-11	Spring Washer	8	M16	SUS304	
63	121-165-28	Packing	1		NBR	*
	048-000-51	Screwed Flange	1	NPT-6(JIS10K)	FC	
	140-155-24	Hex.Bolt	8	M20x85	SWRM	
	141-009-12	Hex.Nut	8	M20	SUS304	
	142-168-26	Spring Washer	8	M20	SWRH	
	121-108-23	Packing	1	JIS10Kx150mm	NR	
	173--	Packing O-Ring Set	1Set	(Marked by *)		
17	121-446-13	Packing (Protector Fixing Plate)	1	22/37-BE2	NBR	*
28	122-333-19	O-Ring (M.Frame/Brg.Housing)	1	170xd3.1	NBR	*
41	122-246-14	O-Ring (Brg.Housing/P.Casing)	1	180xd3.1	NBR	*
48	121-247-12	Packing (Oil Plug)	1	d12.3xd18x2t	PE	*
63	121-165-28	Packing (Discharge Bend)	1		NBR	*

* Indicates items included in set



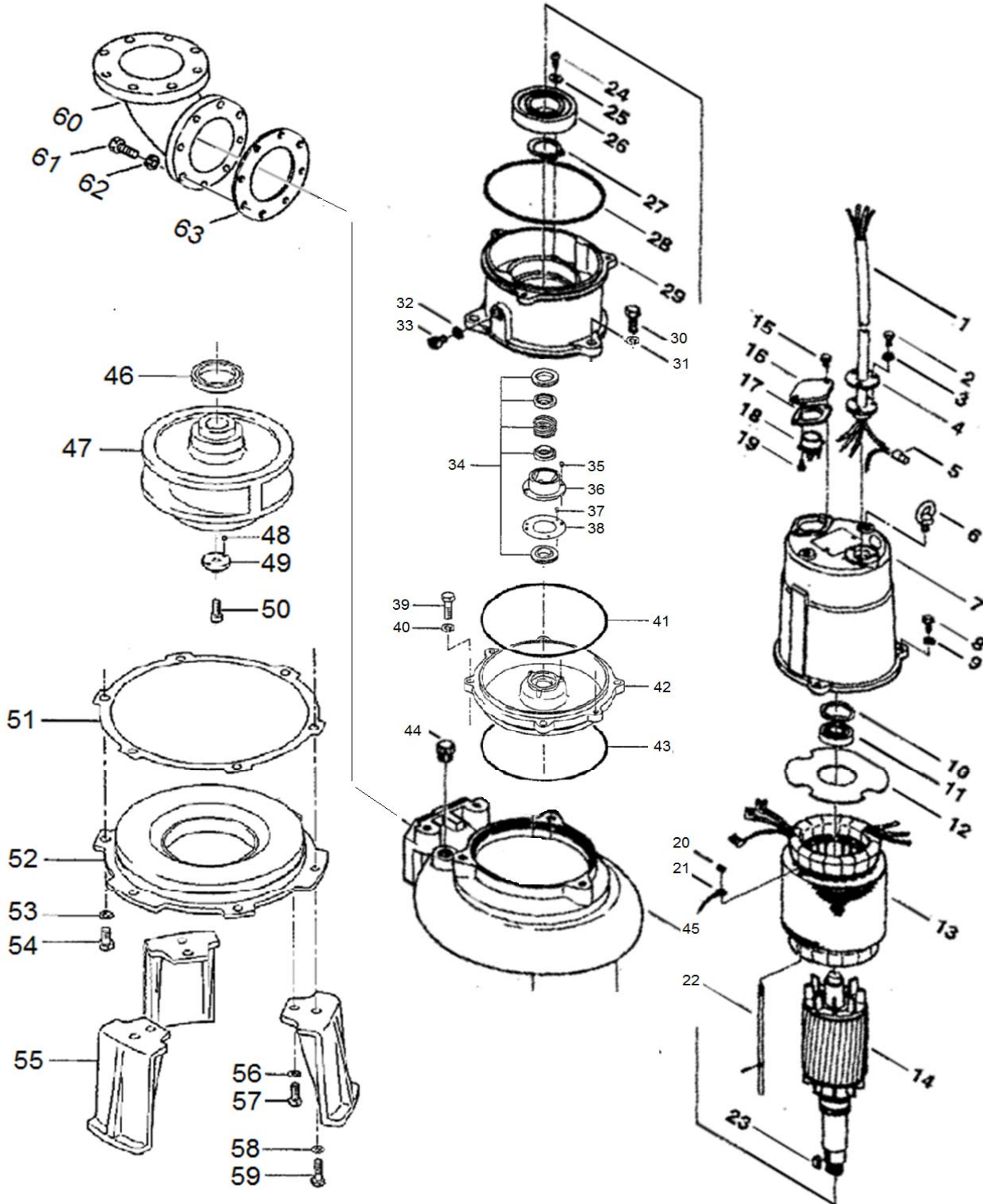
MODEL 150B43.7-62

PARTS LIST		SEWAGE & WASTEWATER PUMP			12/20/2016	
ITEM	PART No.	DESCRIPTION	QTY	SIZE	MATERIAL	NOTES
		Lubricant		Turbine Oil VG32 1,250ml		

PARTS LIST		SEWAGE & WASTEWATER PUMP			12/20/2016	
ITEM	PART No.	DESCRIPTION	QTY	SIZE	MATERIAL	NOTES

EXPLODED VIEW

150B43.7-62



* Indicates items included in set