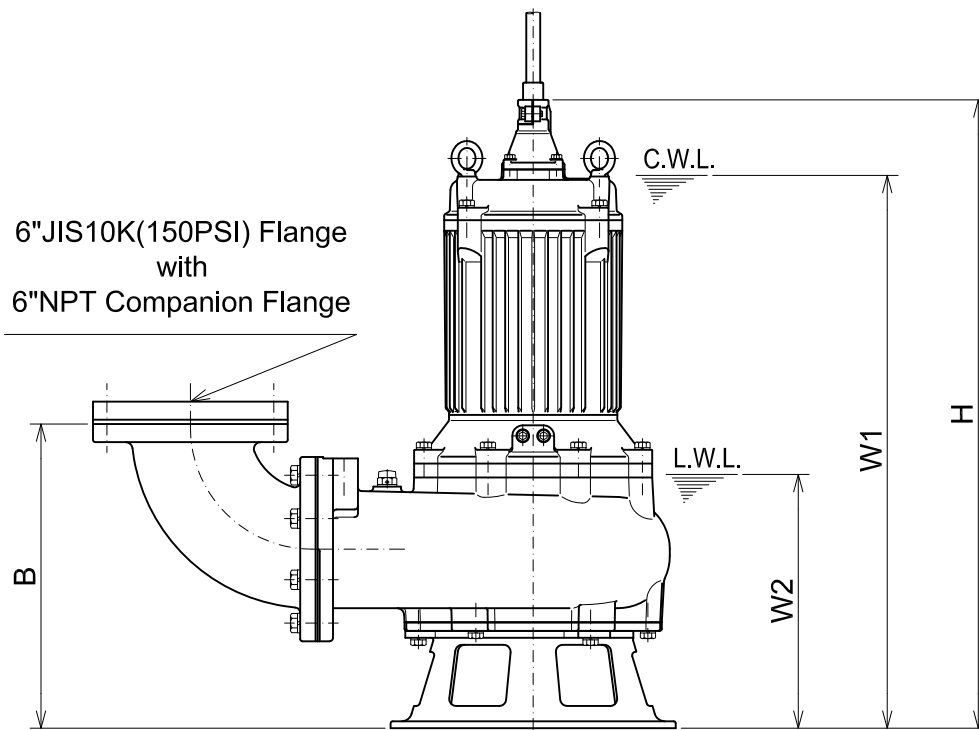
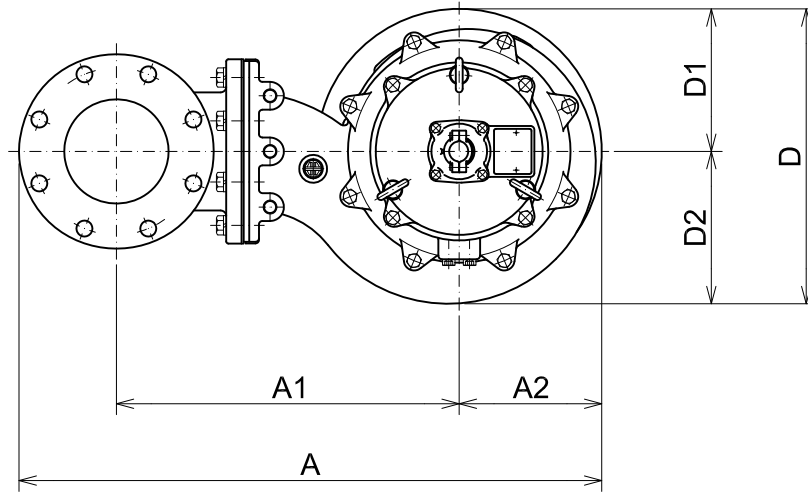


150B63.7 -61



6"JIS10K(150PSI) Flange
with
6"NPT Companion Flange

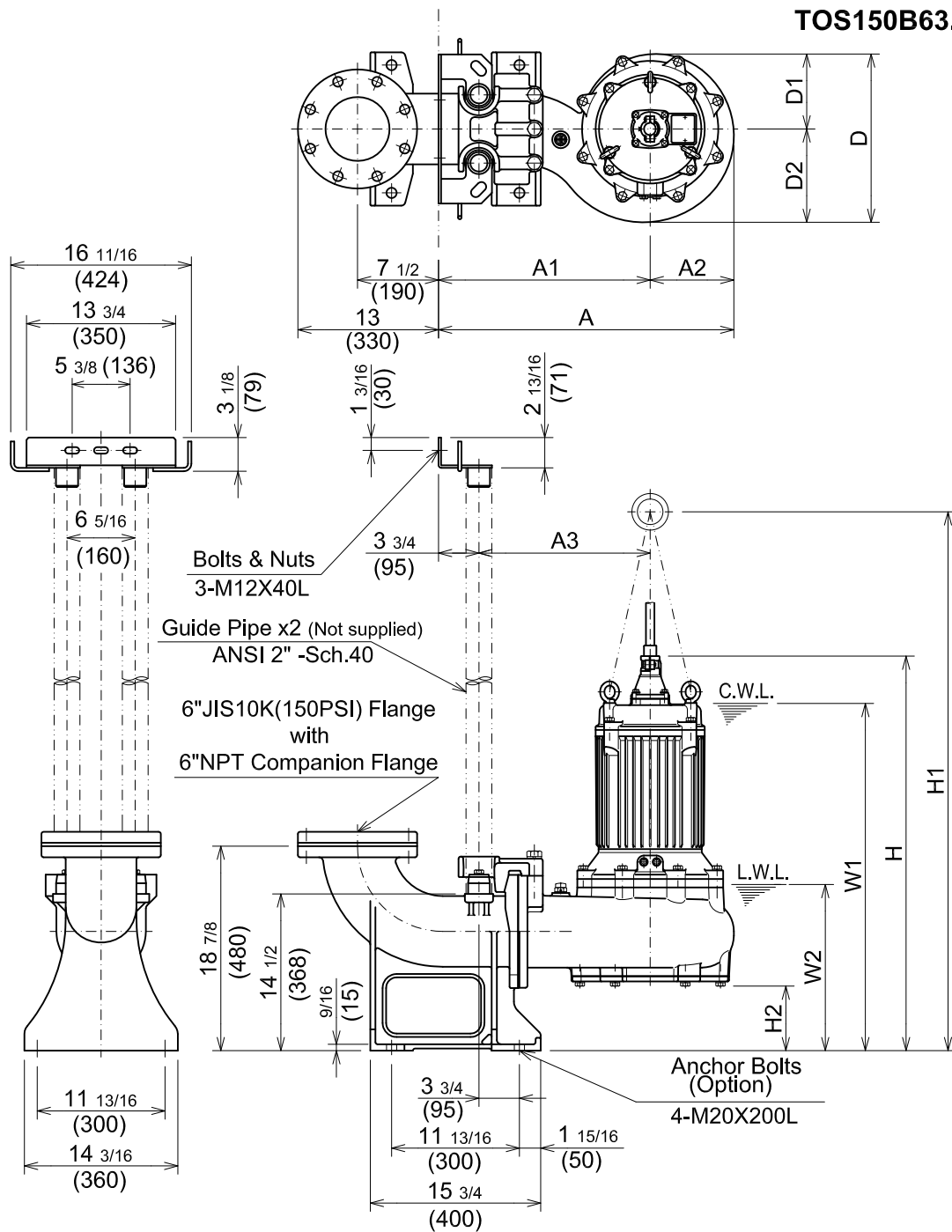
C.W.L. :Continuous running Water Level
L.W.L. :Lowest running Water Level

DIMENSIONS:USCS(Inch)

| Model | HP | NOM. SIZE | Pump & Motor | | | | | | | C.W.L. | L.W.L. | Wt. (lbs.) | |
|--------------|----|-----------|--------------|---------|--------|---------|----------|--------|-------|---------|--------|------------|-----|
| | | | A | A1 | A2 | B | D | D1 | D2 | | | | H |
| 150B63.7 -61 | 5 | 6" | 33 | 19 7/16 | 8 1/16 | 17 3/16 | 16 11/16 | 8 1/16 | 8 5/8 | 35 9/16 | 29 1/2 | 15 | 414 |

DIMENSIONS:METRIC(mm)

| Model | kW | NOM. SIZE | Pump & Motor | | | | | | | C.W.L. | L.W.L. | Wt. (kg) | |
|--------------|-----|-----------|--------------|-----|-----|-----|-----|-----|-----|--------|--------|----------|-----|
| | | | A | A1 | A2 | B | D | D1 | D2 | | | | H |
| 150B63.7 -61 | 3.7 | 150 | 838 | 493 | 205 | 437 | 424 | 205 | 219 | 903 | 750 | 380 | 188 |



C.W.L. :Continuous running Water Level
L.W.L. :Lowest running Water Level

DIMENSIONS:USCS(Inch)

| Model | HP | NOM. SIZE | Pump & Motor | | | | | | | | | | C.W.L. | L.W.L. | Wt. (lbs.) |
|-----------------|----|-----------|--------------|---------|---------|----------|---------|---------|-------|---------|---------|----|--------|--------|------------|
| | | | A | A1 | A2 | A3 | D | D1 | D2 | H | H1 | H2 | | | |
| TOS150B63.7 -61 | 5 | 6" | 27 5/16 | 19 9/16 | 7 11/16 | 15 13/16 | 15 9/16 | 6 15/16 | 8 5/8 | 36 7/16 | 50 1/16 | 6 | 32 1/4 | 15 3/4 | 348 |

DIMENSIONS:METRIC(mm)

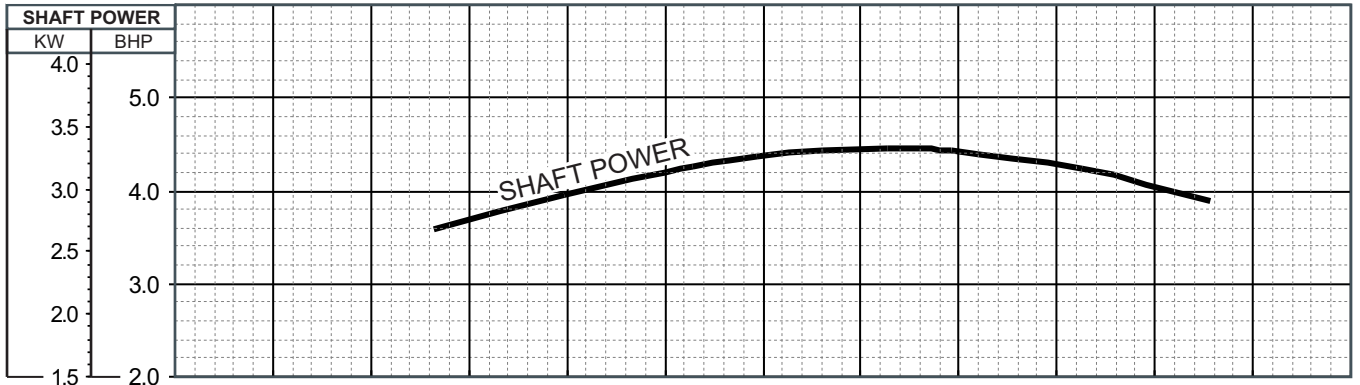
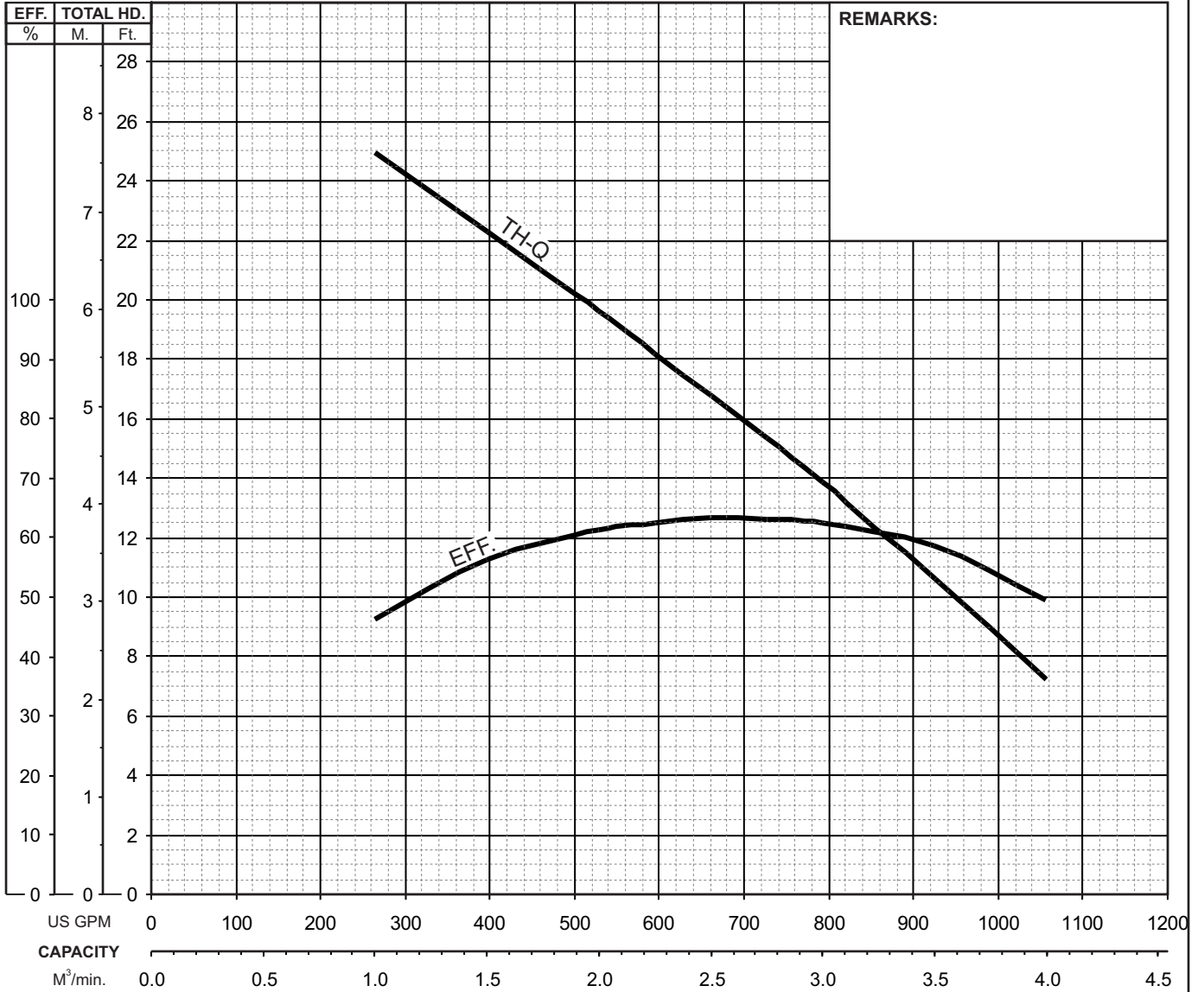
| Model | kW | NOM. SIZE | Pump & Motor | | | | | | | | | | C.W.L. | L.W.L. | Wt. (kg) |
|-----------------|-----|-----------|--------------|-----|-----|-----|-----|-----|-----|-----|------|-----|--------|--------|----------|
| | | | A | A1 | A2 | A3 | D | D1 | D2 | H | H1 | H2 | | | |
| TOS150B63.7 -61 | 3.7 | 150 | 693 | 497 | 196 | 402 | 395 | 176 | 219 | 926 | 1271 | 152 | 820 | 400 | 158 |



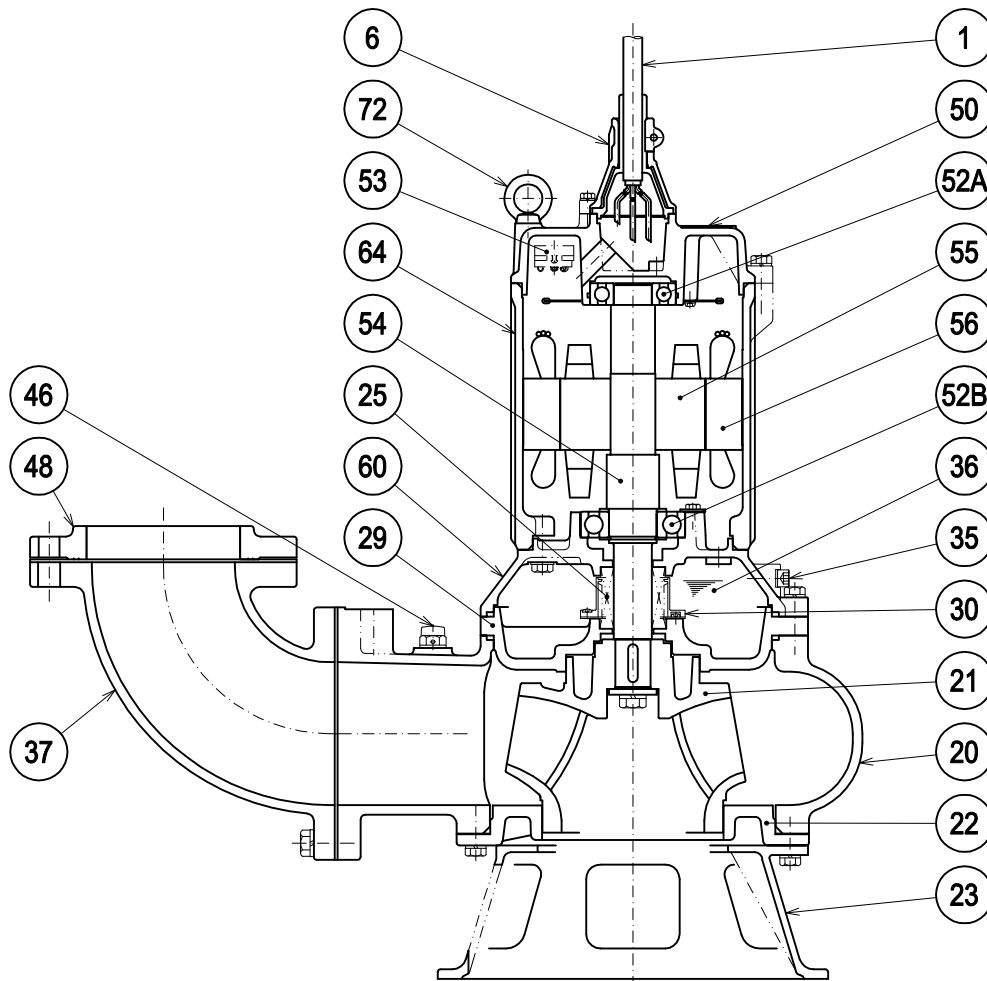
B - SERIES SEWAGE & WASTEWATER PUMPS

PERFORMANCE CURVE

| MODEL | | BORE | HP | KW | RPM | SOLIDS DIA | LIQUID | SG. | VISCOSITY | TEMP. |
|--------------------------|------|----------|---------------------|----------|-----------------------|-----------------|------------|-----------------|------------|------------|
| (TOS) 150B63.7 -61 | | 6"/150mm | 5 | 3.7 | 1160 | 2.17" / 55mm | Water | 1.0 | 1.123 cSt. | 60°F |
| PUMP TYPE | | PHASE | VOLTAGE | | AMPERAGE | | HZ | STARTING METHOD | | INS. CLASS |
| Sewage & Wastewater Pump | | 3 | 208-230 / 460 / 575 | | 16.0-15.6 / 7.8 / 6.0 | | 60 | Direct On Line | | B |
| CURVE No. | DATE | PHASE | VOLTAGE | AMPERAGE | HZ | STARTING METHOD | INS. CLASS | | | |
| - | - | - | - | - | - | - | - | | | |



150B63.7 -61



| PART# | DESCRIPTION | MAIN MATERIAL / NOTE | RELATED ASTM,AISI CODE | RELATED EN CODE | QTY |
|-------|-------------------|------------------------------------|------------------------|---------------------|-----|
| 1 | Power Cable | Chloroprene Sheath AWG 12/4-32ft | | | 1 |
| 6 | Stuffing Box | Cast Iron | A48M Class30B | EN 1561 GJL-200 | 1 |
| 20 | Pump Casing | Cast Iron | A48M Class30B | EN 1561 GJL-200 | 1 |
| 21 | Impeller | Cast Iron | A48M Class30B | EN 1561 GJL-200 | 1 |
| 22 | Suction Cover | Cast Iron | A48M Class30B | EN 1561 GJL-200 | 1 |
| 23 | Suction Strainer | Malleable Cast Iron | A47 Grade 32510 | EN 1562 GJMB-350-10 | 1 |
| 25 | Mechanical Seal | Silicon Carbide / H-40 | | | 1 |
| 29 | Oil Casing | Cast Iron | A48M Class30B | EN 1561 GJL-200 | 1 |
| 30 | Oil Lifter | PBT Resin W/GF40 | | | 1 |
| 35 | Oil Plug | Stainless Steel | S 30400 | 1.4301 | 2 |
| 36 | Lubricant | Turbine Oil ISO VG32 or SAE 10W-20 | | | |
| 37 | Discharge Bend | Cast Iron | A48M Class30B | EN 1561 GJL-200 | 1 |
| 46 | Air Release Valve | Nylon | | | 1 |
| 48 | Companion Flange | Cast Iron / NPT 6" | A48M Class30B | EN 1561 GJL-200 | 1 |
| 50 | Motor Bracket | Cast Iron | A48M Class30B | EN 1561 GJL-200 | 1 |
| 52A | Upper Bearing | #6308ZZC3 | | | 1 |
| 52B | Lower Bearing | #6310ZZC3 | | | 1 |
| 53 | Motor Protector | | | | 1 |
| 54 | Shaft | Stainless Steel | S 42000 | 1.4028 | 1 |
| 55 | Rotor | | | | 1 |
| 56 | Stator | | | | 1 |
| 60 | Bearing Housing | Cast Iron | A48M Class30B | EN 1561 GJL-200 | 1 |
| 64 | Motor Housing | Cast Iron | A48M Class30B | EN 1561 GJL-200 | 1 |
| 72 | Lifting Lug Bolt | Steel | A283 Grade D | EN 10025 S275 | 3 |

| PARTS LIST | | SEWAGE & WASTEWATER PUMP | | | 7/13/2016 | |
|------------|------------|-------------------------------------|------|---------------------|-----------|-----------------------------------|
| ITEM | PART No. | DESCRIPTION | QTY | SIZE | MATERIAL | NOTES |
| 1 | 001-315-20 | Cabletyre Cable Set (32') 60Hz(USA) | 1 | 2PNCT4Cx3.5mm2 | KR-2 | |
| 2 | 070-107-18 | Cable Clamp | 1 | | FC | included in ITEM#1 cable assembly |
| 3 | 140-035-14 | Hex.Bolt | 2 | M6x20 | SUS304 | included in ITEM#1 cable assembly |
| 4 | 006-126-14 | Stuffing Box 60Hz(USA) | 1 | No.2 | FC | included in ITEM#1 cable assembly |
| 5 | 140-055-10 | Hex.Bolt | 4 | M8x25 | SUS304 | included in ITEM#1 cable assembly |
| 6 | 008-142-12 | Mould Cover 60Hz(USA) | 1 | KR2-7 | CR | included in ITEM#1 cable assembly |
| 7 | 009-275-18 | Compression type Terminal | 3 | TGNB-5.5(Insulated) | CU | |
| 8 | 143-013-15 | Pan Screw | 1 | M4x6 | SWRM | |
| 9 | 142-160-31 | Spring Washer | 1 | M4 | SWRH | |
| 10 | 009-122-19 | Terminal | 1 | R-3.5-4 | CU | |
| 11 | 072-102-22 | Eye Bolt | 3 | M12 | SUS304 | |
| 12 | 016-116-12 | Lead Wire Protection Bush | 1 | d20x38l(d5.6x3) | NBR | |
| 13 | 140-099-16 | Hex.Bolt | 4 | M12x40 | SUS304 | |
| 14 | 142-165-10 | Spring Washer | 4 | M12 | SUS304 | |
| 15 | 050-373-15 | Motor Bracket | 1 | | FC | |
| 16 | 122-250-11 | O-Ring | 1 | 230xd3.8 | NBR | * |
| 17 | 053-192-17 | Motor Protector 230V-60Hz(USA) | 1 | KA314-HKXL00 | (B.C) | |
| 17 | | Motor Protector 460V-60Hz(USA) | 1 | | | |
| 17 | | Motor Protector 575V-60Hz(USA) | 1 | | | |
| 18 | 143-022-17 | Pan Screw | 2 | M4x30 | SWRM | |
| 19 | 058-125-14 | Lead Wire Protection Plate | 1 | d110xd190x1.2t | SPC+NBR | |
| 20 | 142-162-33 | Spring Washer | 2 | M6 | SWRH | |
| 21 | 143-043-14 | Pan Screw | 2 | M6x12 | SWRM | |
| 22 | 142-200-18 | Wave Washer | 1 | 6308 | SK5 | |
| 23 | 052-111-19 | Bearing | 1 | 6308ZZC3 | | |
| 24 | 055-589-11 | Rotor | 1Set | | | |
| 25 | 147-030-10 | Impeller Key | 1 | 10x8x40L | SUS420 | |
| 26 | | Stator | 1Set | | | |
| 27 | 064-126-27 | Motor Frame | 1 | | FC | |
| 28 | 140-052-33 | Hex.Bolt | 4 | M8x16 | SWRM | |
| 29 | 062-199-12 | Bearing Fixing Washer | 4 | d8.5xd26x2.3t | SS | |
| 30 | 061-142-17 | Bearing Collar | 1 | d50xd70x3t | SPC | |
| 31 | 052-113-11 | Bearing | 1 | 6310ZZC3 | | |
| 32 | 146-029-13 | Retaining Ring | 1 | C50 | SK5 | |
| 33 | 122-251-12 | O-Ring | 1 | 205xd3.8 | NBR | * |
| 34 | 060-364-14 | Bearing Housing | 1 | | FC | |
| 35 | 140-104-15 | Hex.Bolt | 4 | M12x65 | SUS304 | |
| 36 | 142-165-10 | Spring Washer | 4 | M12 | SUS304 | |
| 37 | 140-099-16 | Hex.Bolt | 4 | M12x40 | SUS304 | |
| 38 | 142-165-10 | Spring Washer | 4 | M12 | SUS304 | |

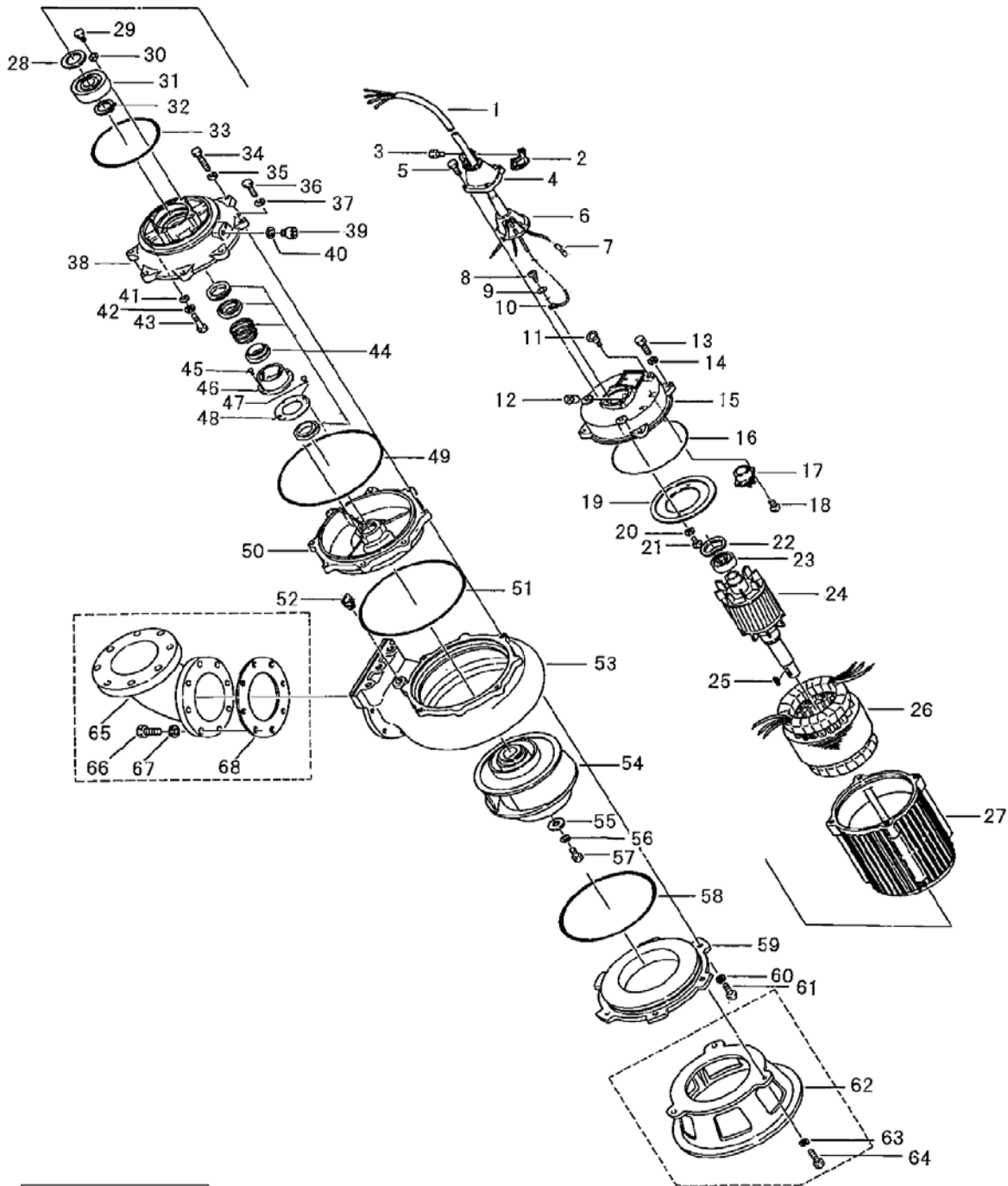
* Indicates items included in set

| PARTS LIST | | SEWAGE & WASTEWATER PUMP | | | 7/13/2016 | |
|------------|------------|---------------------------------|------|--------------------------|-----------|-------|
| ITEM | PART No. | DESCRIPTION | QTY | SIZE | MATERIAL | NOTES |
| 39 | 035-113-18 | Oil Plug | 2 | M12x14 | SUS304 | |
| 40 | 121-247-12 | Packing | 2 | d12.3xd18x2t | PE | * |
| 41 | 121-341-17 | Seal Packing | 4 | d12xd21x4t | NBR | * |
| 42 | 142-116-29 | Plain Washer | 4 | M12(D=21) | SPC | |
| 43 | 140-101-38 | Hex.Bolt | 4 | M12x50 | SWRM | |
| 44 | 025-000-61 | Mechanical Seal | 1 | H-40X(E) | SiC | |
| 45 | 143-070-23 | Pan Screw | 2 | M5x6 | SWRM | |
| 46 | 030-141-10 | Oil Lifter | 1 | H-40(T) | Resin | |
| 47 | 143-070-10 | Pan Screw | 3 | M5x6 | SWRM | |
| 48 | 030-149-18 | Seal Stopper | 1 | H-40/45 | SPCC | |
| 49 | 122-160-13 | O-Ring | 1 | G-290(289.3xd5.7) | NBR | * |
| 50 | 029-272-17 | Oil Casing | 1 | 150-3.7-6B2 | FC | |
| 51 | 122-160-13 | O-Ring | 1 | G-290(289.3xd5.7) | NBR | * |
| 52 | 046-107-13 | Air Release Valve | 1 | PT-1/2 | Nylon | |
| 53 | 020-688-13 | Pump Casing | 1 | 150-3.7-6B | FC | |
| 54 | 021-687-15 | Impeller (60Hz) | 1 | 150B63.7-61 | FC | |
| 55 | 142-101-18 | Impeller Fixing Washer | 1 | d17xd50x6t | SUS304 | |
| 56 | 142-166-11 | Spring Washer | 1 | M16 | SUS304 | |
| 57 | 140-123-10 | Hex.Bolt | 1 | M16x35 | SUS304 | |
| 58 | 122-260-14 | O-Ring | 1 | 295xd5.7 | NBR | * |
| 59 | 022-471-17 | Suction Cover | 1 | 150-3.7-6B | FC | |
| 60 | 142-165-10 | Spring Washer | 6 | M12 | SUS304 | |
| 61 | 140-099-16 | Hex.Bolt | 6 | M12x40 | SUS304 | |
| 62 | 023-155-28 | Pump Stand | 1 | No.4 | FCMB | |
| 63 | 142-165-10 | Spring Washer | 3 | M12 | SUS304 | |
| 64 | 140-099-16 | Hex.Bolt | 3 | M12x40 | SUS304 | |
| 65 | 037-119-10 | Discharge Bend | 1 | 150x150mm | FC | |
| 66 | 140-126-13 | Hex.Bolt | 8 | M16x50 | SUS304 | |
| 67 | 142-166-11 | Spring Washer | 8 | M16 | SUS304 | |
| 68 | 121-165-28 | Packing | 1 | JIS5Kx150mm | NR | |
| | 173-450-11 | Packing O-Ring Set | 1Set | (Marked by *) | | |
| 16 | 122-250-11 | O-Ring (M.Bracket/M.Frame) | 1 | 230xd3.8 | NBR | * |
| 33 | 122-251-12 | O-Ring (M.Frame/Brg.Housing) | 1 | 205xd3.8 | NBR | * |
| 40 | 121-247-12 | Packing (Oil Plug) | 2 | d12.3xd18x2t | PE | * |
| 41 | 121-341-17 | Seal packing (Brg.Housing Bolt) | 4 | d12xd21x4t | NBR | * |
| 49 | 122-160-13 | O-Ring (Brg.Housing/O.Casing) | 1 | G-290(289.3xd5.7) | NBR | * |
| 51 | 122-160-13 | O-Ring (O.Casing/P.Casing) | 1 | G-290(289.3xd5.7) | NBR | * |
| 58 | 122-260-14 | O-Ring (P.Casing/S.Cover) | 1 | 295xd5.7 | NBR | * |
| | | Lubricant | | Turbine Oil VG32 3,900ml | | |
| | 183-004-17 | Impeller Puller | 1 | B No.4 | FCD | |

| PARTS LIST | | SEWAGE & WASTEWATER PUMP | | | 7/13/2016 | |
|------------|----------|--------------------------|-----|------|-----------|-------|
| ITEM | PART No. | DESCRIPTION | QTY | SIZE | MATERIAL | NOTES |

EXPLODED VIEW

150B63. 7-51/61 (150-3. 7-6B2)



C-01458-1