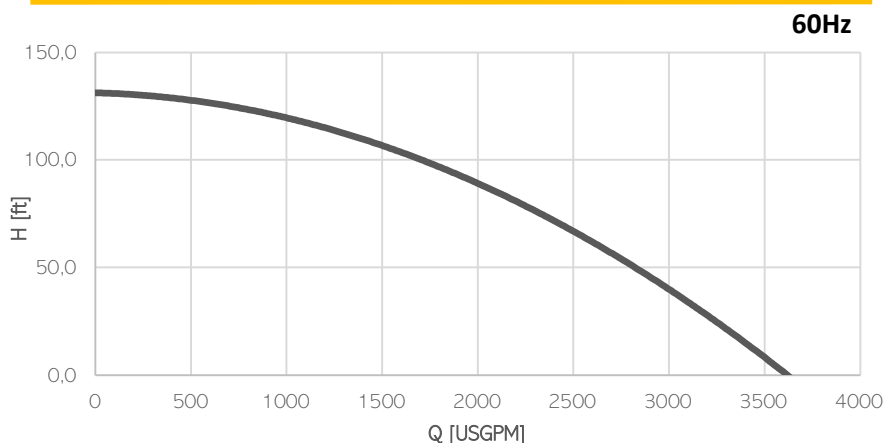
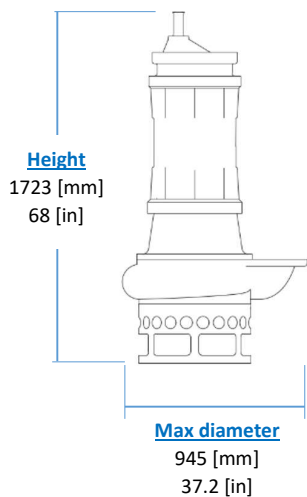


# ELECTRIC PUMP

## EL604



Model	EL604
Brake Power [kW HP]	75   100
Electric Power [kW HP]	80   107
Frequency [Hz]	60
Efficiency [%]	45%
Number of Poles	4
RPM	1776
Voltage [V]	575
Rated Current [A]	92,0
Solid handling [mm in]	60   2.4
Discharge [DN-PN]	150-10



**KG**  
**Weight**  
(without cable)  
1100 [kg]  
2425 [lb]

### Materials

Part	Standard
Casing	Cast Iron EN-GJS800
Body	Cast Iron EN-GIL250
Wear Parts	High chrome EN-GJN-HV600 (CH6)
Minimum hardness [HB]	550
Main shaft	High tensile 39NiCrMo3
PH Range	5-10

### Seals and lubricants

Version	EL604	MG	MS
Motor Side	LIPS	MECHANICAL	MECHANICAL
Impeller Side	LIPS	LIPS	MECHANICAL
Oil type	EP320	ISO32	ISO32

### Electrical motor

Insulation class H

### Cable

1 x SHD-GC cable 15m (50ft)

### Operating Conditions

- Max liquid temperature 35°C
- Min Submersion depth 1510 mm