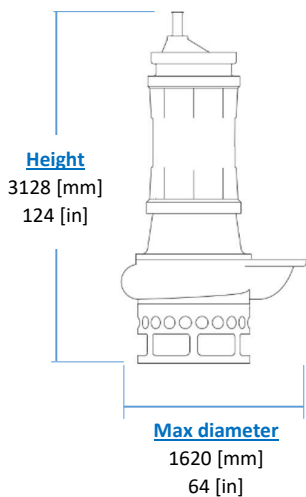
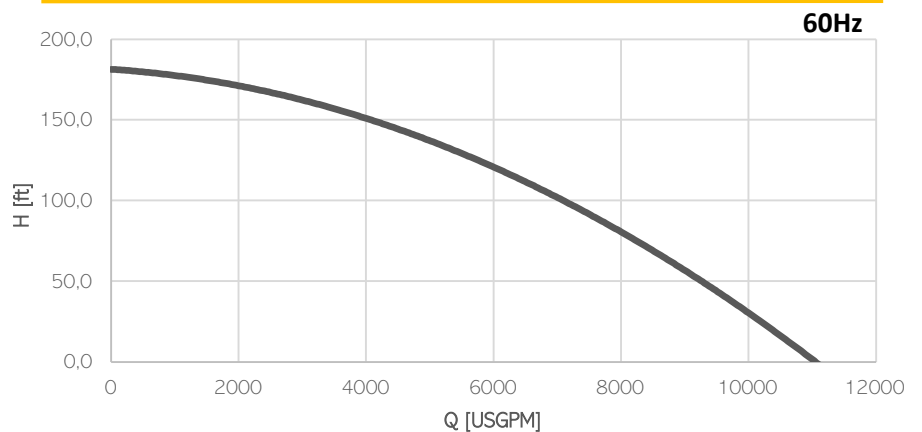


ELECTRIC PUMP

EL300



KG
Weight
(without cable)
5170 [kg]
11400 [lb]

Model	EL300
Brake Power [kW HP]	240 322
Electric Power [kW HP]	255 342
Frequency [Hz]	60
Efficiency [%]	60%
Number of Poles	8
RPM	895
Voltage [V]	575
Rated Current [A]	312
Solid handling [mm in]	120 4,7
Discharge [DN-PN]	450 PN10

Materials

Part	Standard
Casing	Cast Iron EN-GJS500
Body	Cast Iron EN-GJS500
Wear Parts	High chrome EN-GJN-HV600 (CH6)
Minimum hardness [HB]	550
Main shaft	High tensile 39NiCrMo3
PH Range	5-10

Seals and lubricants

Version	STANDARD	MG
Motor Side	LIPS	MECHANICAL
Impeller Side	LIPS	LIPS
Oil type	EP320	ISO32

Electrical motor

| Insulation class H

Cable

| 1 x SHD-GC cable 15m (50ft)

Operating Conditions

- | Max liquid temperature 35°C
- | Min Submersion depth 2900 mm