

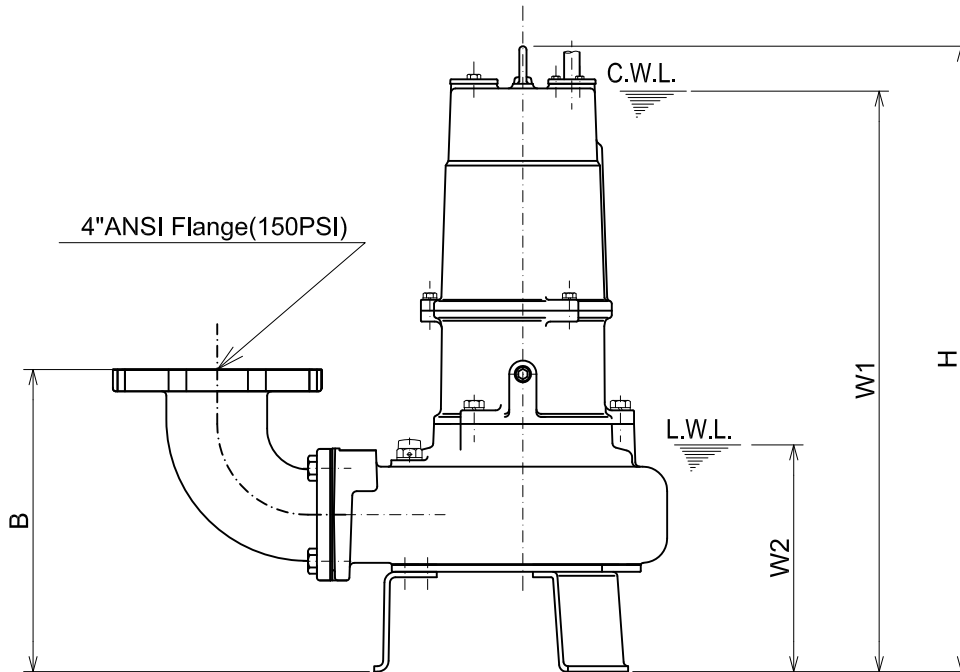
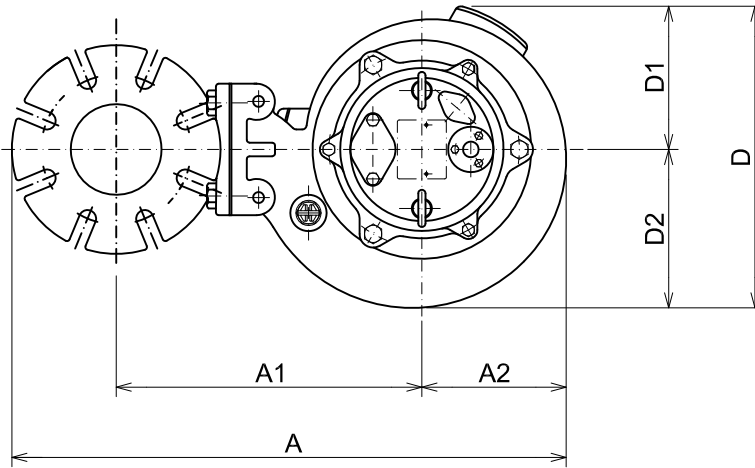


**B-SERIES**  
**SEWAGE & WASTEWATER PUMPS**

**DIMENSIONS**

**100B42.2 -62**  
**100B43.7 -62**  
**100B43.7H -63**

Bend model:  
BEND80-100 ANSI



C.W.L. :Continuous running Water Level  
L.W.L. :Lowest running Water Level

**DIMENSIONS:USCS(Inch)**

Model	HP	NOM. SIZE	Pump & Motor								C.W.L. W1	L.W.L. W2	*Wt. (lbs.)
			A	A1	A2	B	D	D1	D2	H			
100B42.2 -62	3	4"	24 1/4	13 11/16	6 1/16	12 15/16	12 3/4	6 1/4	6 9/16	24 1/4	22 1/2	8 7/8	148
100B43.7 -62	5	4"	24 7/16	13 11/16	6 1/4	13 3/16	13 1/8	6 1/4	6 7/8	27 3/16	25 3/8	9 1/4	183
100B43.7H -63	5	4"	24 1/2	13 11/16	6 5/16	12 15/16	13 9/16	6 5/8	6 7/8	26 1/4	24 3/8	8 7/8	179

**DIMENSIONS:METRIC(mm)**

\*Excluding Cable.

Model	kW	NOM. SIZE	Pump & Motor								C.W.L. W1	L.W.L. W2	*Wt. (kg)
			A	A1	A2	B	D	D1	D2	H			
100B42.2 -62	2.2	100	616	347	154	329	324	158	166	616	570	225	67
100B43.7 -62	3.7	100	621	347	159	334	333	158	175	690	645	235	83
100B43.7H -63	3.7	100	623	347	161	329	344	169	175	666	620	225	81