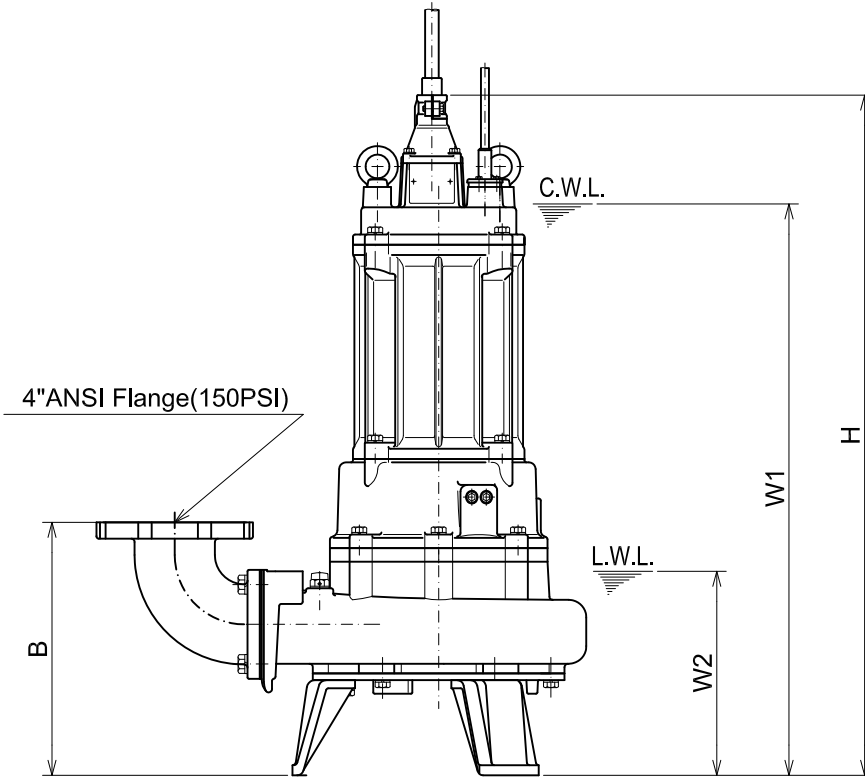
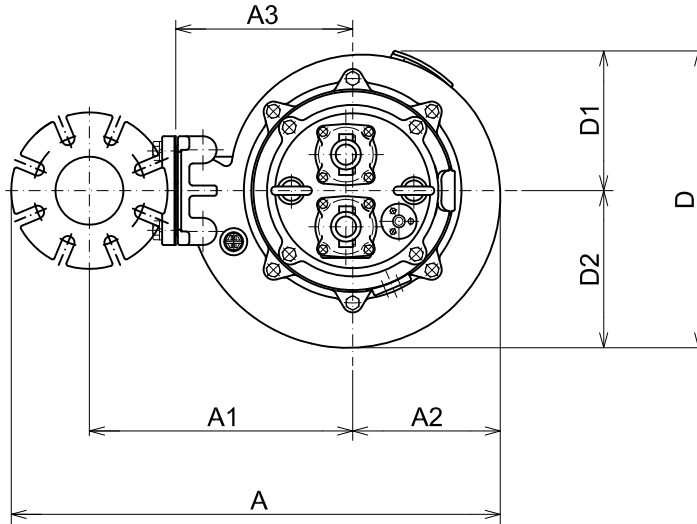


**100C411-CR -63**

Bend model:  
BEND100-100 ANSI



C.W.L. :Continuous running Water Level  
L.W.L. :Lowest running Water Level

**DIMENSIONS:USCS(Inch)**

Model	HP	NOM. SIZE	Pump & Motor									C.W.L.	L.W.L.	*Wt. (lbs.)
			A	A1	A2	A3	B	D	D1	D2	H			
100C411-CR -63	15	4"	28 3/4	15 11/16	8 9/16	10 1/4	14 5/8	16 15/16	7 7/8	9 1/8	39 3/8	33 1/8	11 3/4	395

**DIMENSIONS:METRIC(mm)**

Model	kW	NOM. SIZE	Pump & Motor									C.W.L.	L.W.L.	*Wt. (kg)
			A	A1	A2	A3	B	D	D1	D2	H			
100C411-CR -63	11	100	730	398	217	260	372	431	200	231	1000	840	300	179

\*Excluding Cable.