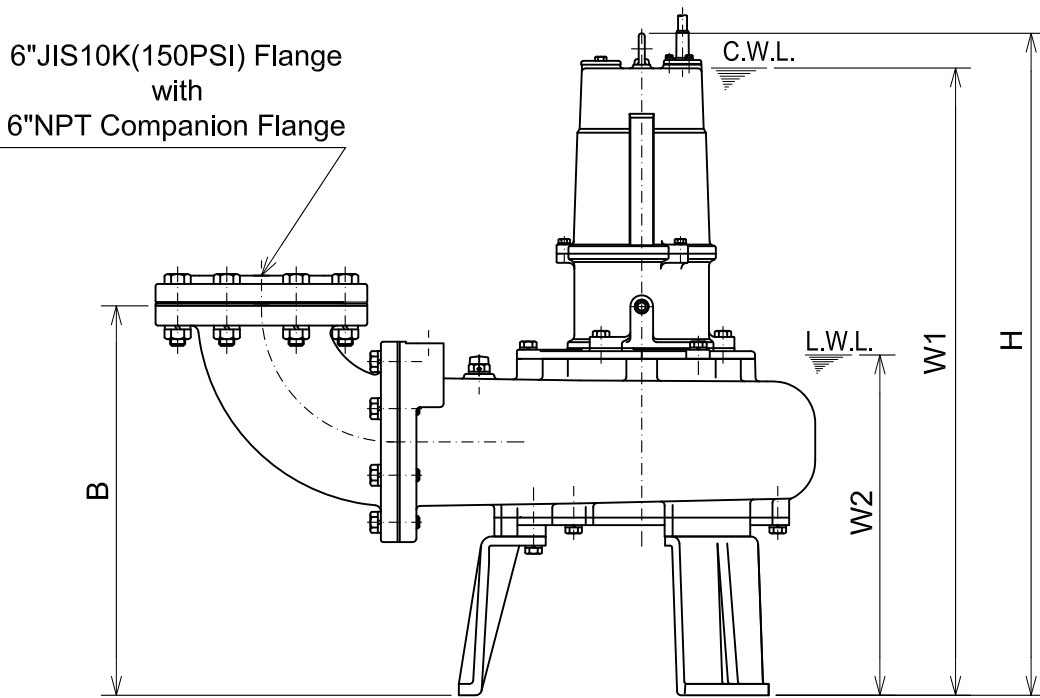
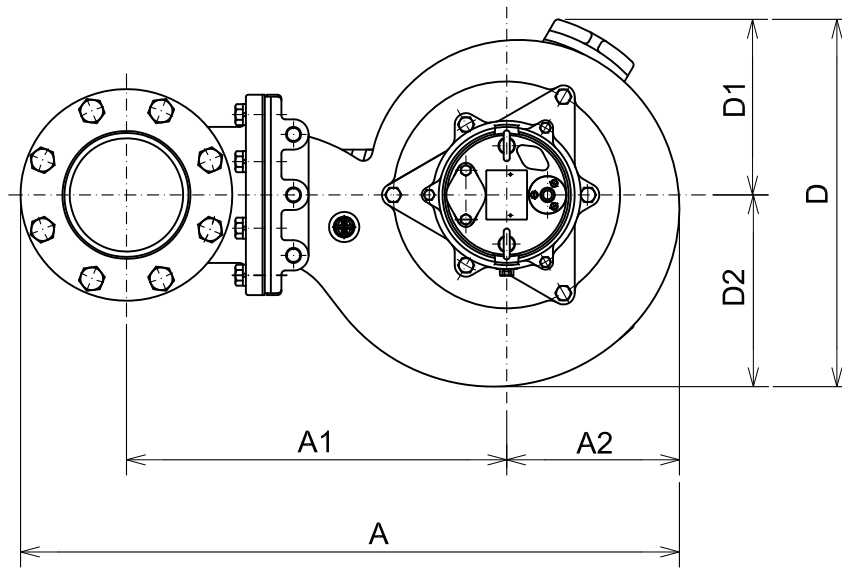


TSURUMI PUMP	B-SERIES SEWAGE & WASTEWATER PUMPS	DIMENSIONS
---------------------	--	-------------------

150B43.7 -62



6"JIS10K(150PSI) Flange
with
6"NPT Companion Flange

C.W.L. :Continuous running Water Level
L.W.L. :Lowest running Water Level

DIMENSIONS:USCS(Inch)

Model	HP	NOM. SIZE	Pump & Motor								C.W.L. W1	L.W.L. W2	*Wt. (lbs.)
			A	A1	A2	B	D	D1	D2	H			
150B43.7 -62	5	6"	34 15/16	19 13/16	9	20 1/4	19 1/8	9 1/8	10	34 7/16	32 5/8	17 3/4	330

DIMENSIONS:METRIC(mm)

Model	kW	NOM. SIZE	Pump & Motor								C.W.L. W1	L.W.L. W2	*Wt. (kg)
			A	A1	A2	B	D	D1	D2	H			
150B43.7 -62	3.7	150	871	503	228	515	486	232	254	875	830	450	150

*Excluding Cable