

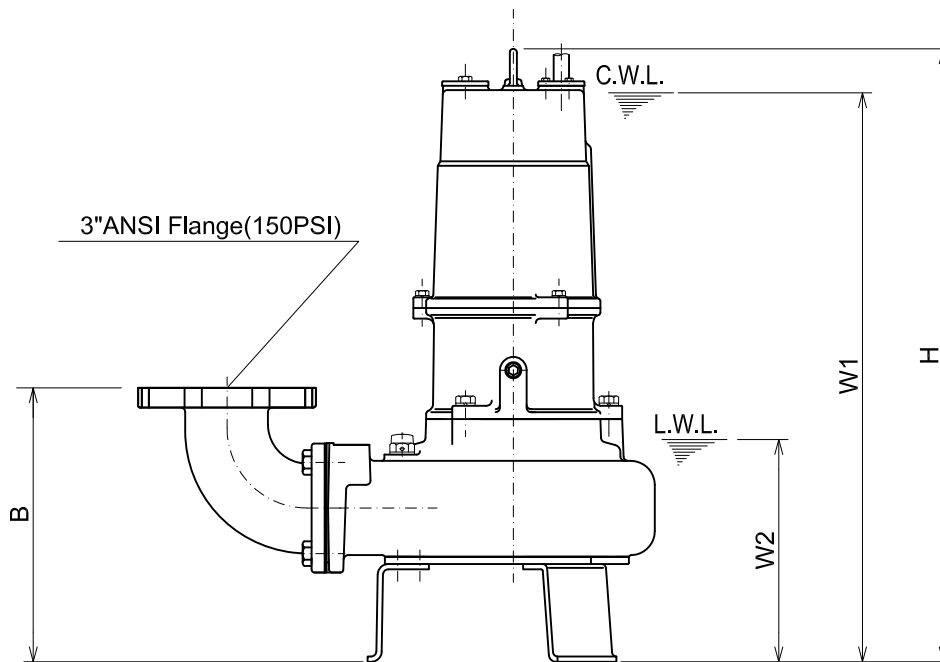
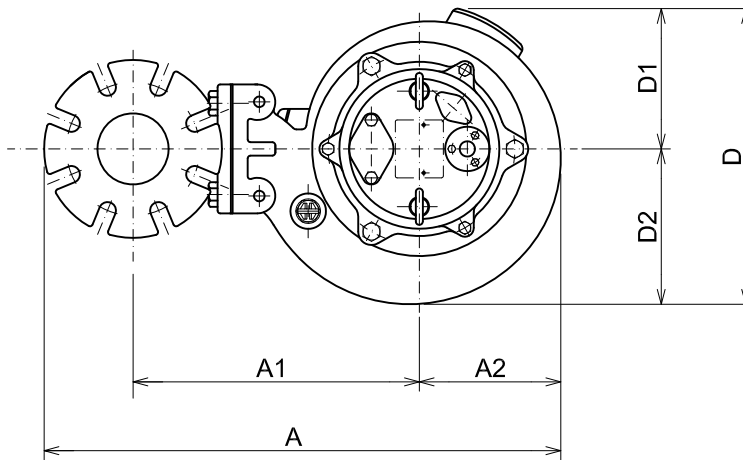


B-SERIES
SEWAGE & WASTEWATER PUMPS

DIMENSIONS

100B42.2 -62 (3"Dis.)
100B43.7 -62 (3"Dis.)
100B43.7H -63 (3"Dis.)

Bend model:
BEND80-80 ANSI



C.W.L. :Continuous running Water Level
L.W.L. :Lowest running Water Level

DIMENSIONS:USCS(Inch)

| Model | HP | NOM. SIZE | Pump & Motor | | | | | | | | C.W.L. | L.W.L. | *Wt. (lbs.) |
|---------------|----|-----------|--------------|---------|--------|----------|---------|-------|--------|---------|--------|--------|-------------|
| | | | A | A1 | A2 | B | D | D1 | D2 | H | | | |
| 100B42.2 -62 | 3 | 3" | 23 1/16 | 13 1/16 | 6 1/16 | 11 15/16 | 12 3/4 | 6 1/4 | 6 9/16 | 24 1/4 | 22 1/2 | 8 7/8 | 146 |
| 100B43.7 -62 | 5 | 3" | 23 5/16 | 13 1/16 | 6 1/4 | 12 3/16 | 13 1/8 | 6 1/4 | 6 7/8 | 27 3/16 | 25 3/8 | 9 1/4 | 181 |
| 100B43.7H -63 | 5 | 3" | 23 3/8 | 13 1/16 | 6 5/16 | 11 15/16 | 13 9/16 | 6 5/8 | 6 7/8 | 26 1/4 | 24 3/8 | 8 7/8 | 176 |

DIMENSIONS:METRIC(mm)

| Model | kW | NOM. SIZE | Pump & Motor | | | | | | | | C.W.L. | L.W.L. | *Wt. (kg) |
|---------------|-----|-----------|--------------|-----|-----|-----|-----|-----|-----|-----|--------|--------|-----------|
| | | | A | A1 | A2 | B | D | D1 | D2 | H | | | |
| 100B42.2 -62 | 2.2 | 80 | 586 | 332 | 154 | 304 | 324 | 158 | 166 | 616 | 570 | 225 | 66 |
| 100B43.7 -62 | 3.7 | 80 | 592 | 332 | 159 | 309 | 333 | 158 | 175 | 690 | 645 | 235 | 82 |
| 100B43.7H -63 | 3.7 | 80 | 593 | 332 | 161 | 304 | 344 | 169 | 175 | 666 | 620 | 225 | 80 |

*Excluding Cable.