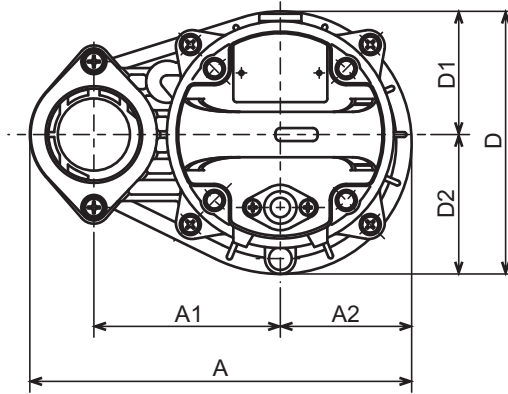


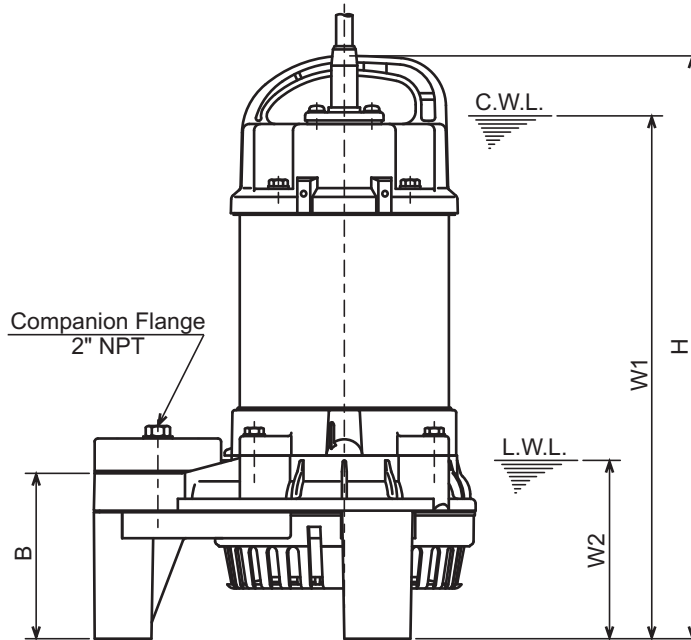


VANCS-SERIES - PSF
(FRP) EFFLUENT PUMPS

DIMENSIONS



- 50PSF2.25S-62
- 50PSF2.25-62
- 50PSF2.4S-62
- 50PSF2.4-62
- 50PSF2.75S-62
- 50PSF2.75-62



C.W.L. :Continuous running Water Level
L.W.L. :Lowest running Water Level

DIMENSIONS:USCS (Inch)

| Model | HP | NOM. SIZE | Pump & Motor | | | | | | | | C.W.L. W1 | L.W.L. W2 | Wt. (lbs.) |
|---------------|-----|-----------|--------------|-------|--------|---|-------|----|-------|----------|-----------|-----------|------------|
| | | | A | A1 | A2 | B | D | D1 | D2 | H | | | |
| 50PSF2.25S-62 | 1/3 | 2" | 9 5/16 | 4 1/2 | 3 3/16 | 4 | 6 3/8 | 3 | 3 3/8 | 14 3/16 | 12 3/4 | 4 3/8 | 15.9 |
| 50PSF2.25-62 | 1/3 | 2" | 9 5/16 | 4 1/2 | 3 3/16 | 4 | 6 3/8 | 3 | 3 3/8 | 13 3/4 | 12 1/4 | 4 3/8 | 13.7 |
| 50PSF2.4S-62 | 1/2 | 2" | 9 5/16 | 4 1/2 | 3 3/16 | 4 | 6 3/8 | 3 | 3 3/8 | 14 3/16 | 12 3/4 | 4 3/8 | 15.9 |
| 50PSF2.4-62 | 1/2 | 2" | 9 5/16 | 4 1/2 | 3 3/16 | 4 | 6 3/8 | 3 | 3 3/8 | 14 3/16 | 12 3/4 | 4 3/8 | 15.6 |
| 50PSF2.75S-62 | 1 | 2" | 9 5/16 | 4 1/2 | 3 3/16 | 4 | 6 3/8 | 3 | 3 3/8 | 14 15/16 | 13 5/8 | 4 3/8 | 19.8 |
| 50PSF2.75-62 | 1 | 2" | 9 5/16 | 4 1/2 | 3 3/16 | 4 | 6 3/8 | 3 | 3 3/8 | 14 3/4 | 13 3/8 | 4 3/8 | 18.5 |

DIMENSIONS:METRIC (mm)

| Model | kW | NOM. SIZE | Pump & Motor | | | | | | | | C.W.L. W1 | L.W.L. W2 | Wt. (kg) |
|---------------|------|-----------|--------------|-----|----|-----|-----|----|----|-----|-----------|-----------|----------|
| | | | A | A1 | A2 | B | D | D1 | D2 | H | | | |
| 50PSF2.25S-62 | 0.25 | 50 | 236 | 115 | 81 | 102 | 162 | 76 | 86 | 360 | 325 | 110 | 7.2 |
| 50PSF2.25-62 | 0.25 | 50 | 236 | 115 | 81 | 102 | 162 | 76 | 86 | 349 | 310 | 110 | 6.2 |
| 50PSF2.4S-62 | 0.40 | 50 | 236 | 115 | 81 | 102 | 162 | 76 | 86 | 360 | 325 | 110 | 7.2 |
| 50PSF2.4-62 | 0.40 | 50 | 236 | 115 | 81 | 102 | 162 | 76 | 86 | 360 | 325 | 110 | 7.1 |
| 50PSF2.75S-62 | 0.75 | 50 | 236 | 115 | 81 | 102 | 162 | 76 | 86 | 380 | 345 | 110 | 9.0 |
| 50PSF2.75-62 | 0.75 | 50 | 236 | 115 | 81 | 102 | 162 | 76 | 86 | 374 | 340 | 110 | 8.4 |