

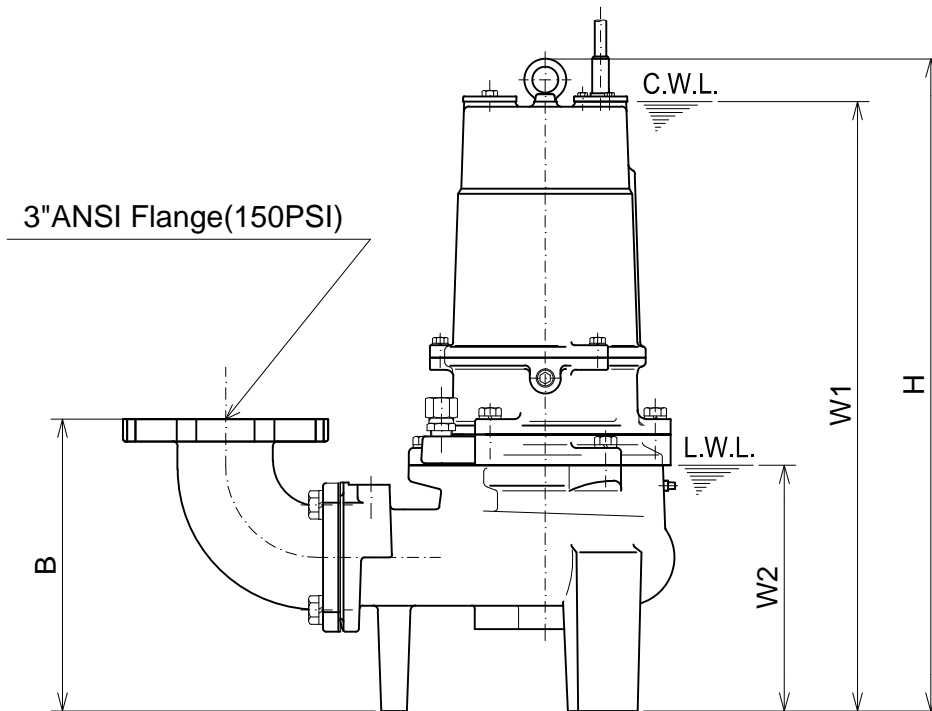
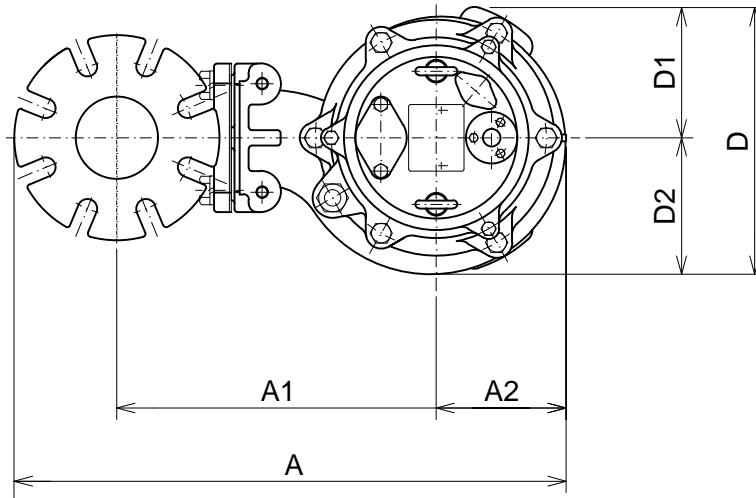


UZ-SERIES
VORTEX - SEWAGE & WASTEWATER PUMPS

DIMENSIONS

80UZ41.5 -61
80UZ42.2 -61

Bend model:
BEND80-80 ANSI



C.W.L. :Continuous running Water Level
L.W.L. :Lowest running Water Level

DIMENSIONS:USCS(Inch)

Model	HP	NOM. SIZE	Pump & Motor								C.W.L. W1	L.W.L. W2	*Wt. (lbs.)
			A	A1	A2	B	D	D1	D2	H			
80UZ41.5 -61	2	3"	21 5/8	12 11/16	5	11 1/4	10 1/4	5 1/16	5 1/4	25 1/16	23 3/8	9 1/2	142
80UZ42.2 -61	3	3"	21 5/8	12 11/16	5	11 1/4	10 1/4	5 1/16	5 1/4	25 1/16	23 3/8	9 1/2	142

DIMENSIONS:METRIC(mm)

Model	kW	NOM. SIZE	Pump & Motor								C.W.L. W1	L.W.L. W2	*Wt. (kg)
			A	A1	A2	B	D	D1	D2	H			
80UZ41.5 -61	1.5	80	549	322	127	285	261	128	133	637	595	240	64
80UZ42.2 -61	2.2	80	549	322	127	285	261	128	133	637	595	240	64

*Excluding Cable.