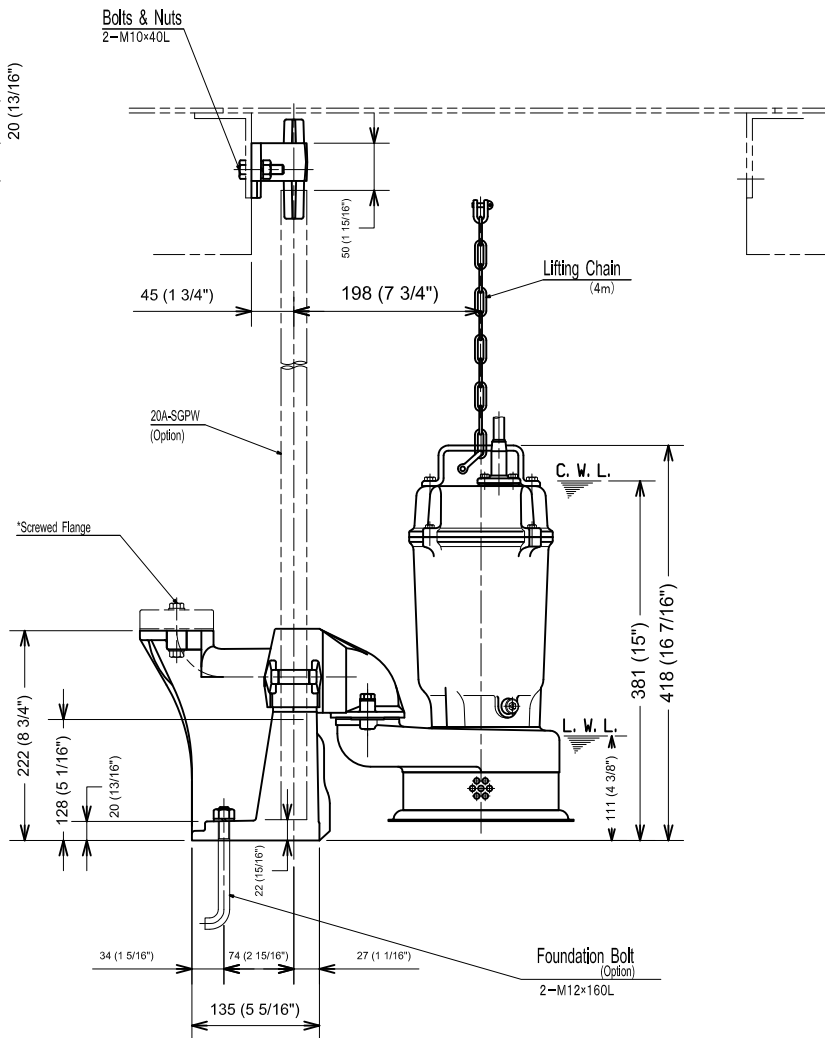
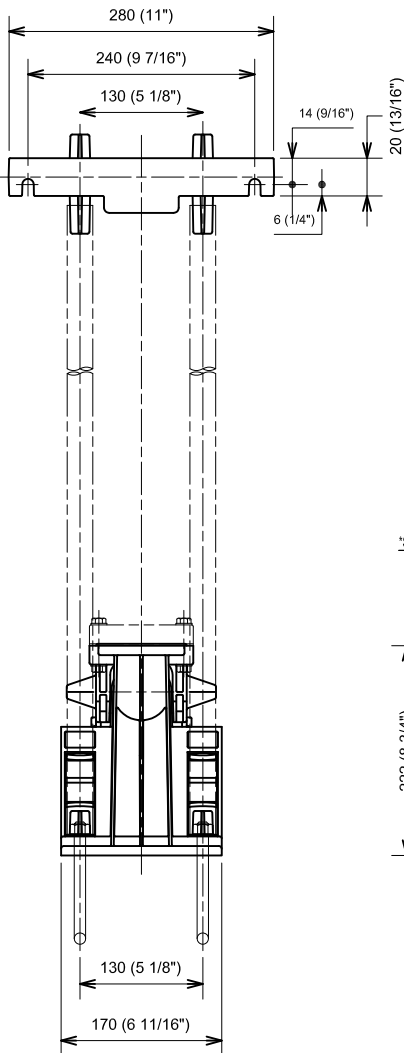
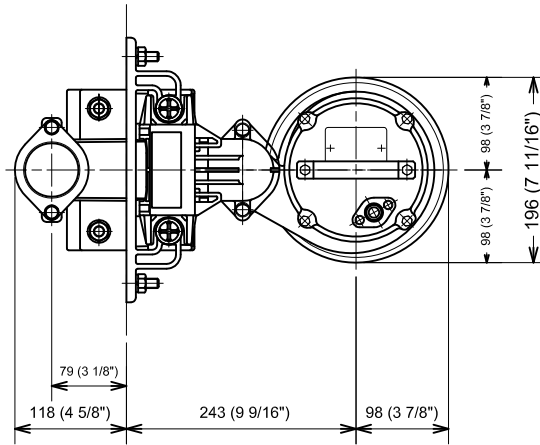


TOK-50SFQ2.75 -62



*Use the screwed flange which is supplied with the pump.

C.W.L. :Continuous running Water Level
 L.W.L. :Lowest running Water Level