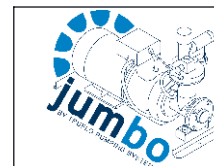
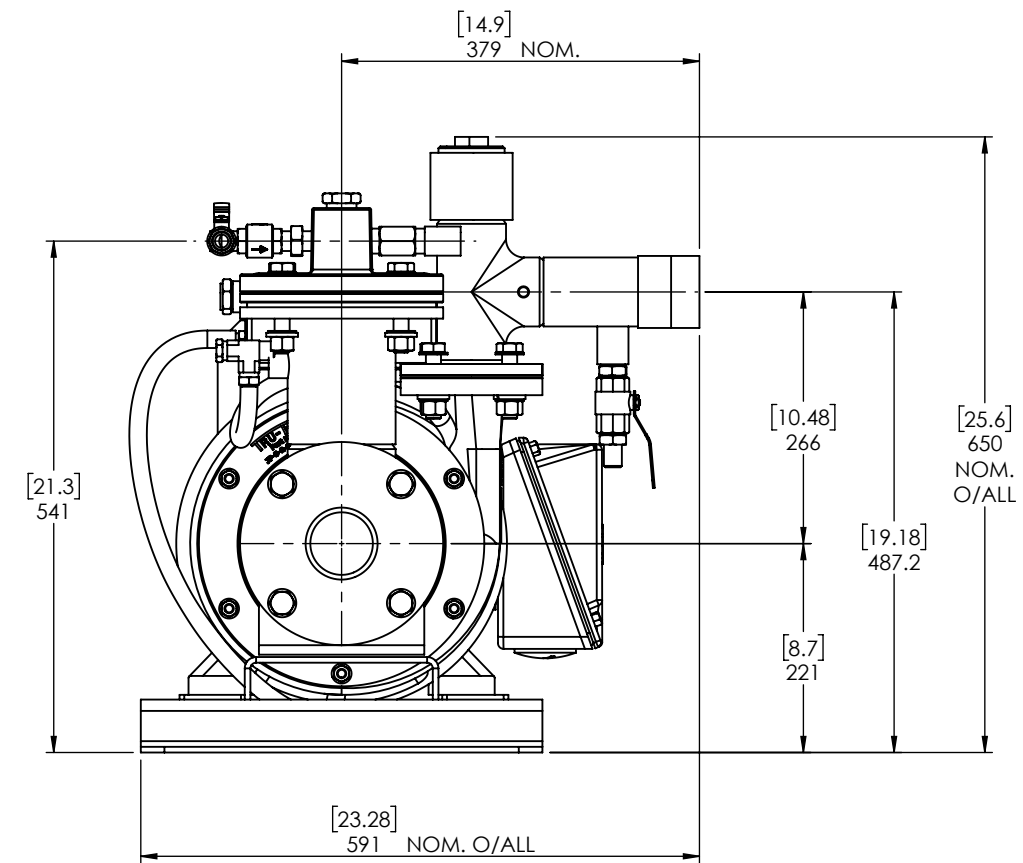
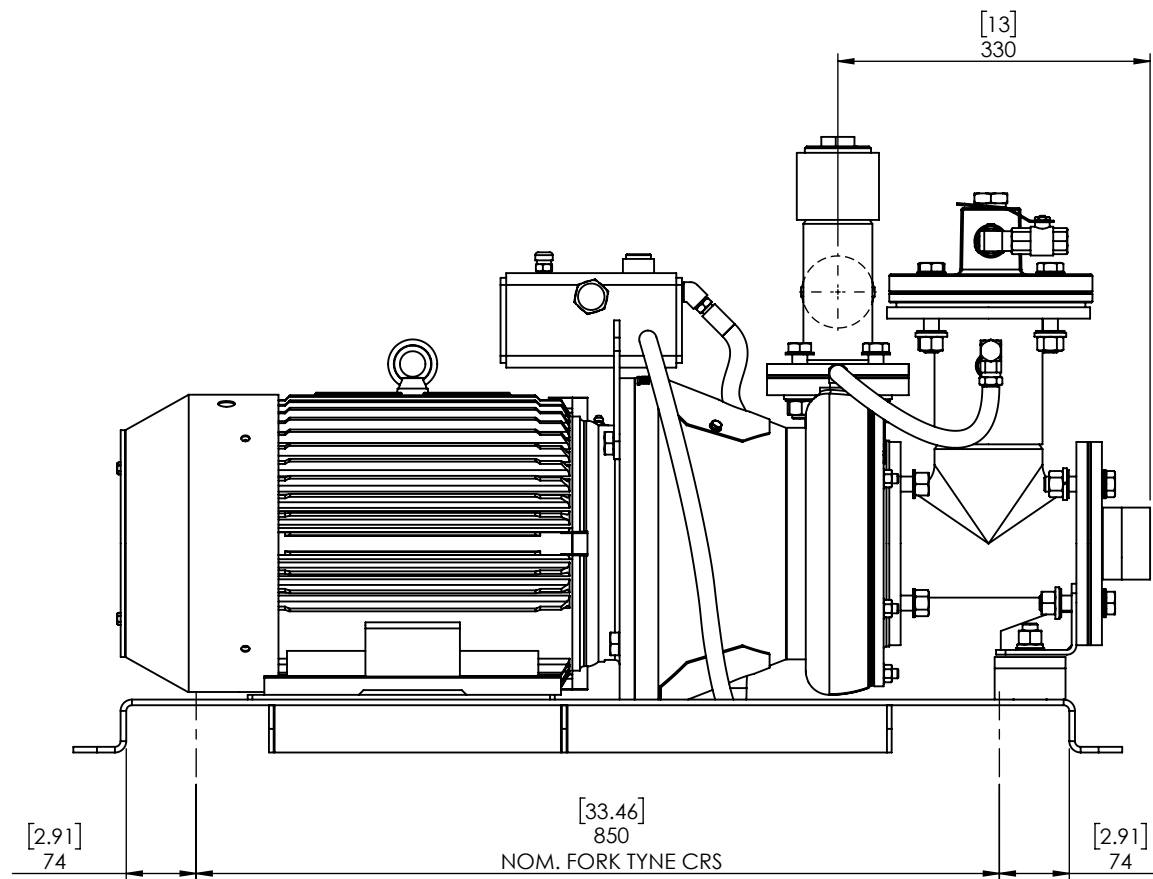
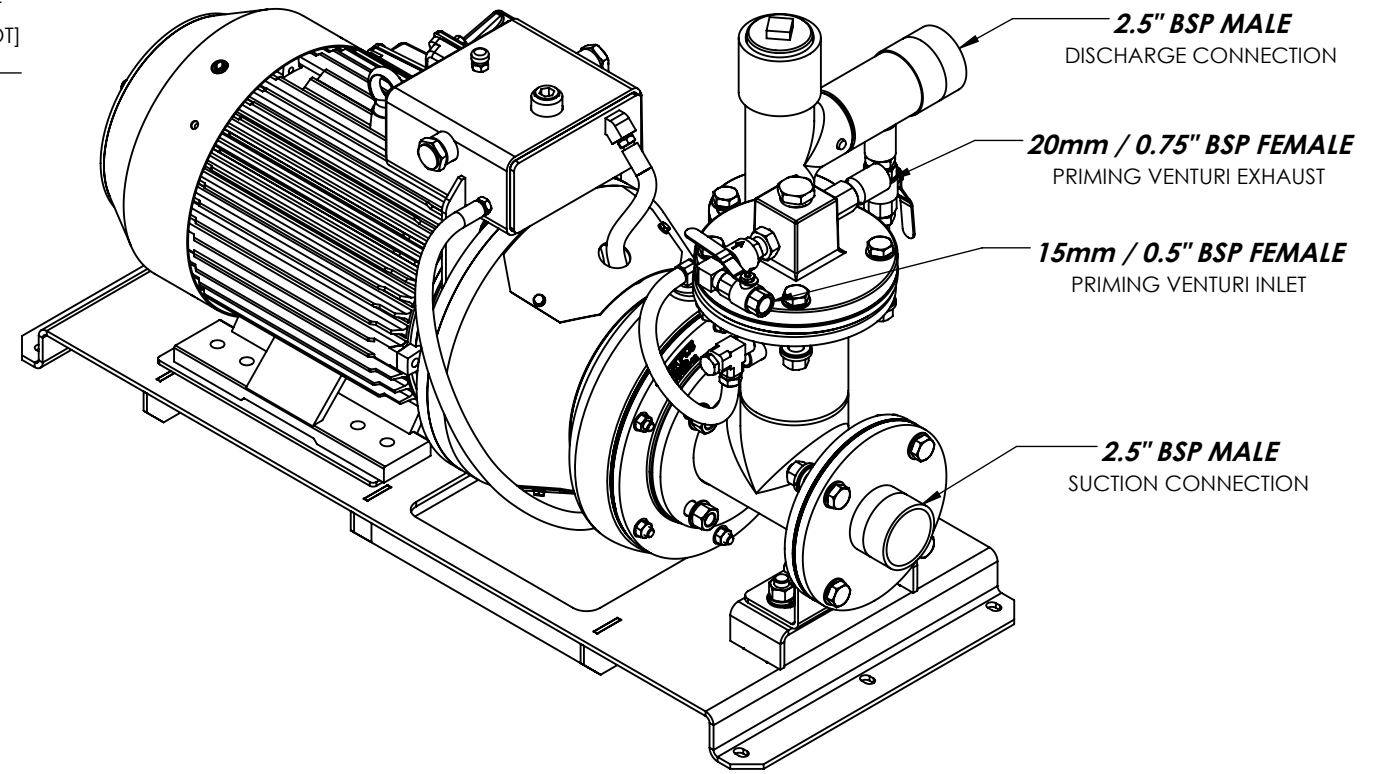
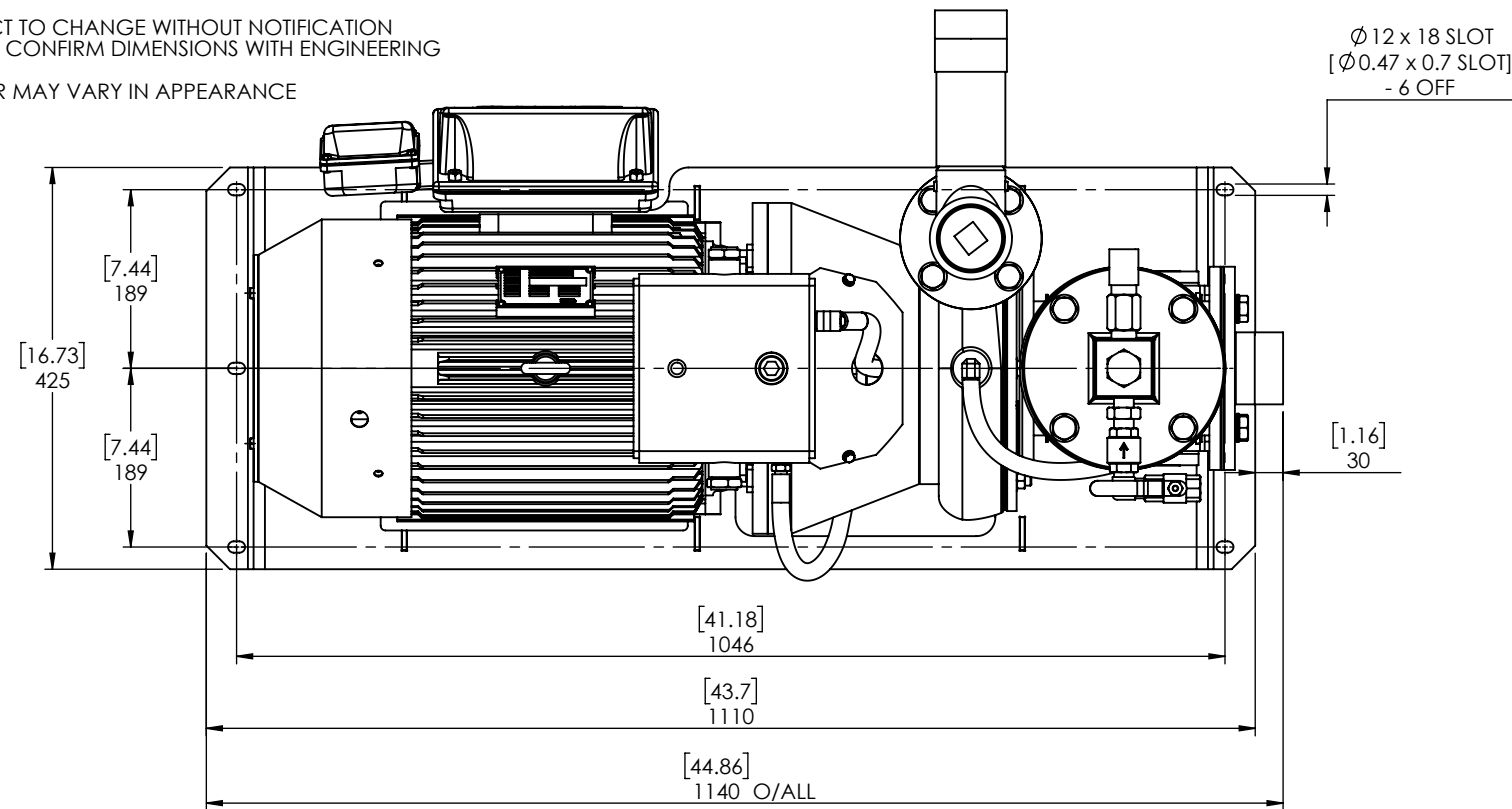


**TRUFLO JUMBO PUMP  
CUSTOMER DRAWING**

DIMENSIONS IN mm, DIMENSIONS MARKED [x.x] IN INCHES

SUBJECT TO CHANGE WITHOUT NOTIFICATION  
PLEASE CONFIRM DIMENSIONS WITH ENGINEERING

MOTOR MAY VARY IN APPEARANCE



ALL DIMENSIONS IN MILLIMETERS  
DO NOT SCALE - IF IN DOUBT ASK  
TRUFLO PUMPING SYSTEMS ABN 88  
147 42 516 OWNS THE COPYRIGHT TO THIS  
DRAWING WHICH IS ITS EXCLUSIVE  
PROPERTY AND WHICH IS SUPPLIED IN  
CONFIDENCE AND WHICH MUST NOT BE  
USED FOR ANY PURPOSE OTHER THAN THAT  
EXPRESSLY PERMITTED IN WRITING BY THE  
OWNERS AND MUST NOT BE DISCLOSED OR  
REPRODUCED WITHOUT PERMISSION FROM  
THE OWNERS IN WRITING. THIS DRAWING  
MUST BE RETURNED TO THE OWNERS WHEN  
THE PURPOSE FOR WHICH IT IS SUPPLIED  
HAS CEASED.

**Technosub**  
Exclusive Canadian Distributor for TruFlo  
info@technosub.net

DRAWING TITLE		TRUFLO JUMBO PUMP - CUSTOMER DRAWING	
DRAWING NUMBER		TRUFLO-JP-3-2-CD	
REV	3	SIZE	A3
SCALE	1:8	DATE	30/09/2013
BY	C'ALLBUT	DATE	30/09/2013
CHECKED	C'ALLBUT	DATE	30/09/2013
SHEET NO.		1 OF 1	

DRAWING: P:\PRODUCTS\JUMBO PUMP\TRUFLO-JP-3-2-CD MODEL: PUMP\PRODUCTS\JUMBO PUMP\JP-3-2-00 FOR GA