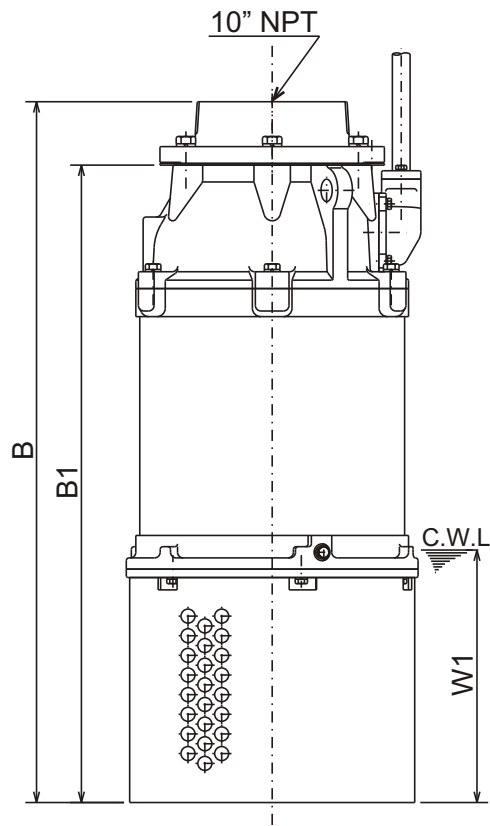
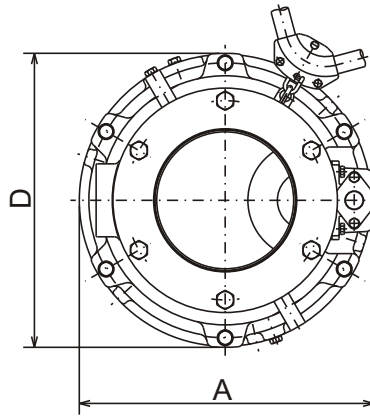




**KRS - SERIES**  
**HIGH VOLUME - DEWATERING PUMPS**

**DIMENSIONS**

**KRS1022-61**



C.W.L. : Continuous running Water Level

**DIMENSIONS: USCS (Inch)**

Model	HP	NOM. SIZE	Pump & Motor				C.W.L.	*Wt. (lbs.)
			A	B	B1	D	W1	
KRS1022-61	30	10"	20 5/8	49 1/8	44 3/4	20 5/8	17 3/4	860

**DIMENSIONS: METRIC (mm)**

\*Excluding Cable

Model	kW	NOM. SIZE	Pump & Motor				C.W.L.	*Wt. (kg)
			A	B	B1	D	W1	
KRS1022-61	22	250	524	1249	1136	525	450	390