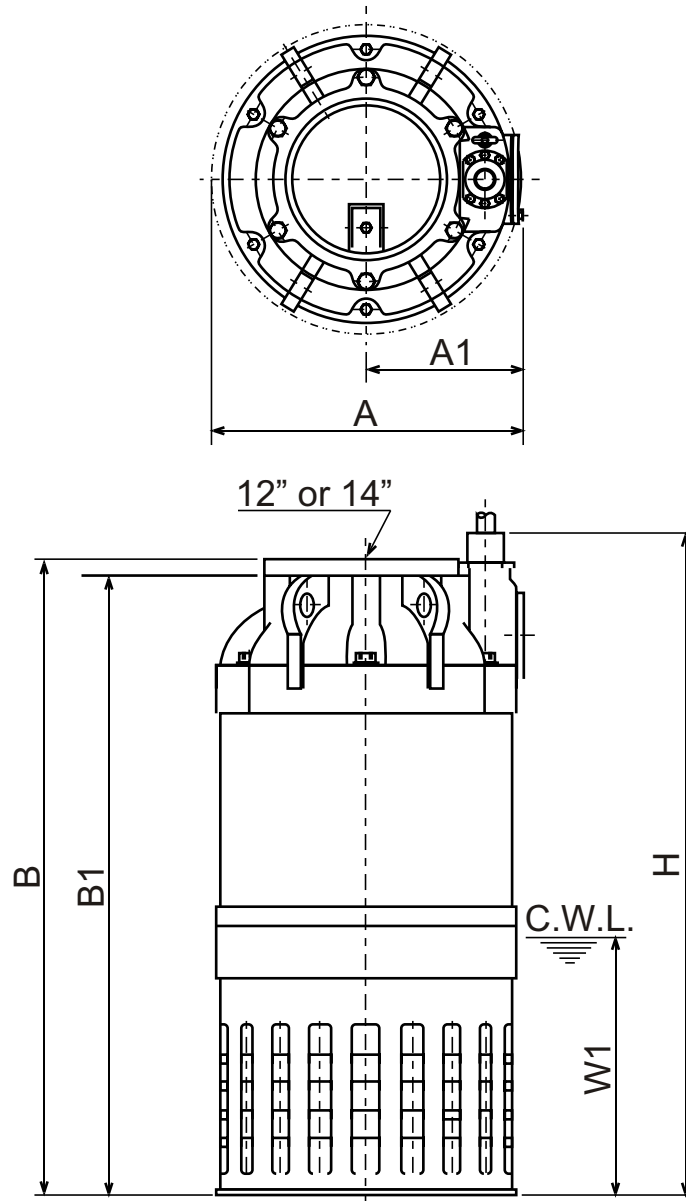




KRS - SERIES
HIGH VOLUME - DEWATERING PUMPS

DIMENSIONS

KRS-1230
KRS-1437



C.W.L. : Continuous running Water Level

DIMENSIONS:USCS (Inch)

Model	HP	NOM. SIZE	Pump & Motor					C.W.L.	Wt. (lbs.)
			A	A1	B	B1	H	W1	
KRS-1230	40	12"	26 3/8	13 3/16	52 1/2	51 9/16	55 1/4	18 7/8	1540
KRS-1437	50	14"	26 3/8	13 3/16	52 1/2	51 9/16	55 1/4	18 7/8	1650

DIMENSIONS:METRIC (mm)

Model	kW	NOM. SIZE	Pump & Motor					C.W.L.	Wt. (kg)
			A	A1	B	B1	H	W1	
KRS-1230	30	300	670	335	1334	1310	1403	480	700
KRS-1437	37	350	670	335	1334	1310	1403	480	750