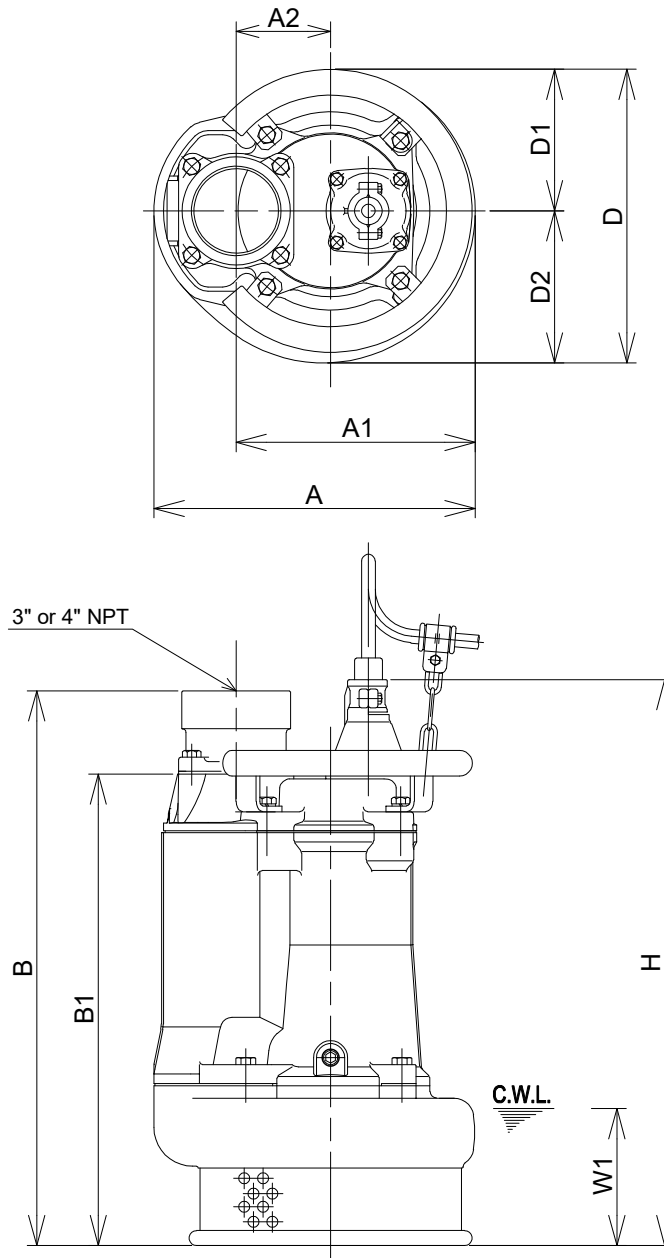


KRS32.2 -61
KRS33.7 -61
KRS43.7 -61



C.W.L. :Continuous running Water Level

DIMENSIONS:USCS (Inch)

Model	HP	NOM. SIZE	Pump & Motor									C.W.L. W1	*Wt. (lbs.)
			A	A1	A2	B	B1	D	D1	D2	H		
KRS32.2 -61	3	3"	13 3/8	9 15/16	3 15/16	22 1/8	19 5/8	12 1/4	5 7/8	6 5/16	23 9/16	5 3/4	159
KRS33.7 -61	5	3"	13 3/4	10 3/16	3 15/16	25 1/2	23	12 5/8	6	6 5/8	26 15/16	6 1/8	196
KRS43.7 -61	5	4"	13 3/4	10 3/16	3 15/16	26 7/16	23	12 5/8	6	6 5/8	26 15/16	6 1/8	194

DIMENSIONS:METRIC (mm)

*Excluding Cable

Model	kW	NOM. SIZE	Pump & Motor									C.W.L. W1	*Wt. (kg)
			A	A1	A2	B	B1	D	D1	D2	H		
KRS32.2 -61	2.2	80	340	253	100	562	499	311	150	161	599	145	72
KRS33.7 -61	3.7	80	349	259	100	647	584	320	152	168	684	155	89
KRS43.7 -61	3.7	100	349	259	100	672	584	320	152	168	684	155	88