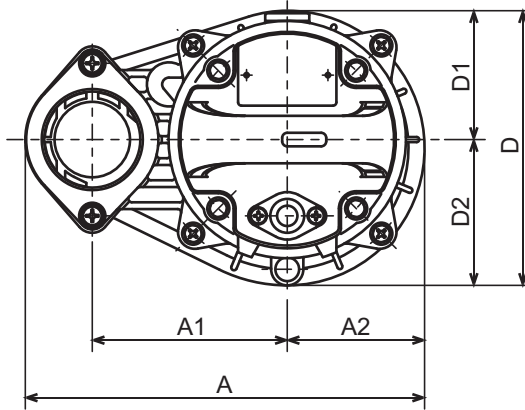


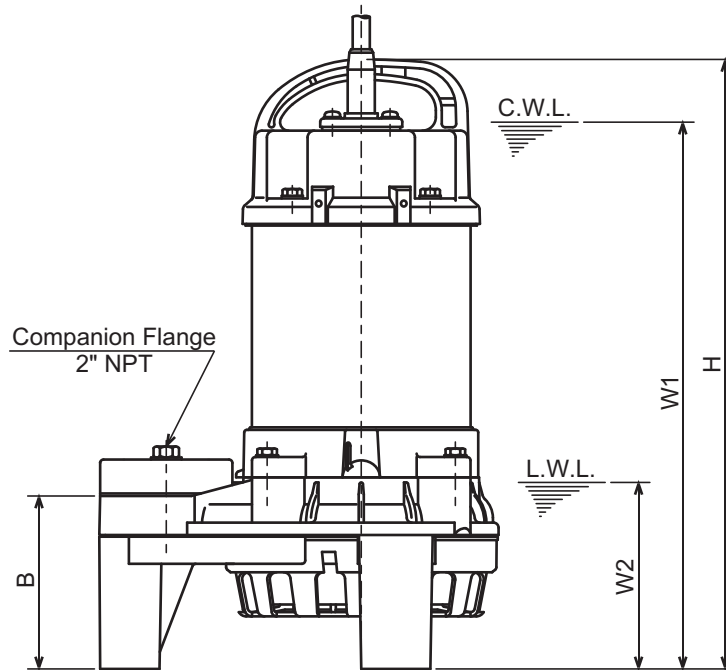


VANCS-SERIES - PN
(FRP) SEMI-VORTEX - WASTEWATER PUMPS

DIMENSIONS



- 50PN2.25S-62
- 50PN2.25-62
- 50PN2.4S-62
- 50PN2.4-62
- 50PN2.75S-62
- 50PN2.75-62



C.W.L. :Continuous running Water Level
L.W.L. :Lowest running Water Level

DIMENSIONS:USCS (Inch)

Model	HP	NOM. SIZE	Pump & Motor								C.W.L. W1	L.W.L. W2	Wt. (lbs.)
			A	A1	A2	B	D	D1	D2	H			
50PN2.25S-62	1/3	2"	9 5/16	4 1/2	3 3/16	4	6 3/8	3	3 3/8	14 3/16	12 3/4	4 3/8	15.6
50PN2.25-62	1/3	2"	9 5/16	4 1/2	3 3/16	4	6 3/8	3	3 3/8	13 3/4	12 1/4	4 3/8	13.4
50PN2.4S-62	1/2	2"	9 5/16	4 1/2	3 3/16	4	6 3/8	3	3 3/8	14 3/16	12 3/4	4 3/8	15.6
50PN2.4-62	1/2	2"	9 5/16	4 1/2	3 3/16	4	6 3/8	3	3 3/8	14 3/16	12 3/4	4 3/8	15.4
50PN2.75S-62	1	2"	9 5/16	4 1/2	3 3/16	4	6 3/8	3	3 3/8	14 15/16	13 5/8	4 3/8	19.6
50PN2.75-62	1	2"	9 5/16	4 1/2	3 3/16	4	6 3/8	3	3 3/8	14 3/4	13 3/8	4 3/8	18.3

DIMENSIONS:METRIC (mm)

Model	kW	NOM. SIZE	Pump & Motor								C.W.L. W1	L.W.L. W2	Wt. (kg)
			A	A1	A2	B	D	D1	D2	H			
50PN2.25S-62	0.25	50	236	115	81	102	162	76	86	360	325	110	7.1
50PN2.25-62	0.25	50	236	115	81	102	162	76	86	349	310	110	6.1
50PN2.4S-62	0.40	50	236	115	81	102	162	76	86	360	325	110	7.1
50PN2.4-62	0.40	50	236	115	81	102	162	76	86	360	325	110	7.0
50PN2.75S-62	0.75	50	236	115	81	102	162	76	86	380	345	110	8.9
50PN2.75-62	0.75	50	236	115	81	102	162	76	86	374	340	110	8.3