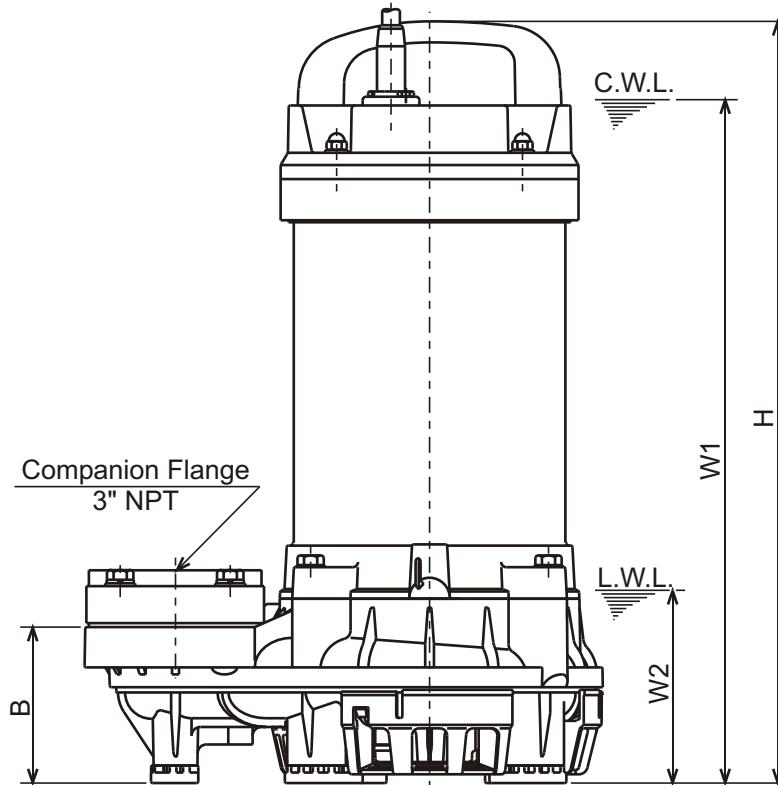
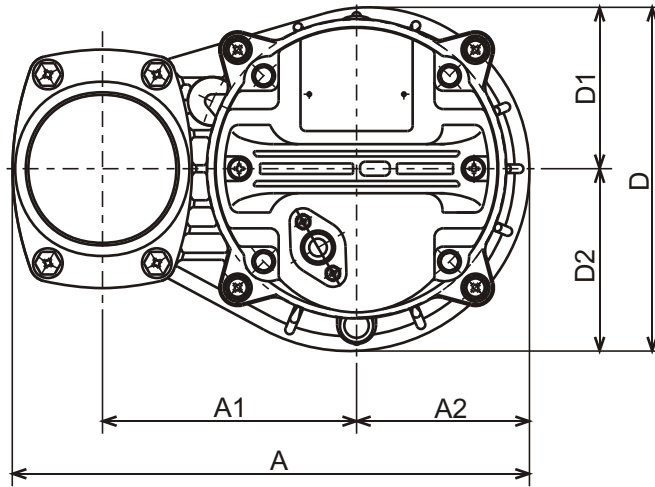




VANCS - SERIES - PN
(FRP) SEMI-VORTEX - WASTEWATER PUMPS

DIMENSIONS

80PN21.5-62



C.W.L. : Continuous running Water Level
 L.W.L. : Lowest running Water Level

DIMENSIONS:USCS (In ch)

Model	HP	NOM. SIZE	Pump & Motor								C.W.L.	L.W.L.	Wt. (lbs.)
			A	A1	A2	B	D	D1	D2	H	W1	W2	
80PN21.5-62	2	3"	11 5/8	5 11/16	3 7/8	3 1/2	7 11/16	3 5/8	4 1/8	17 1/8	15 3/8	4 3/8	35.0

DIMENSIONS:METRIC (mm)

Model	kW	NOM. SIZE	Pump & Motor								C.W.L.	L.W.L.	Wt. (kg)
			A	A1	A2	B	D	D1	D2	H	W1	W2	
80PN21.5-62	1.5	80	295	145	99	89	196	92	104	435	390	110	15.9