



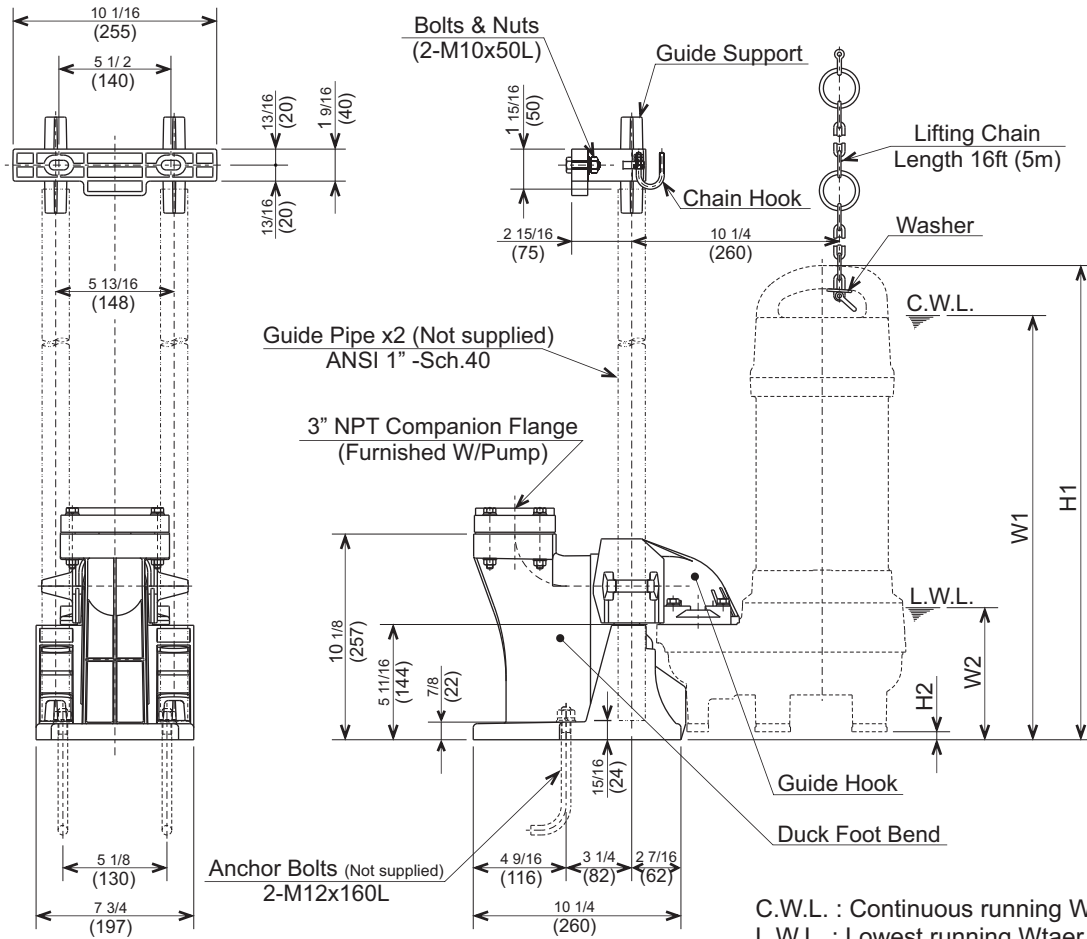
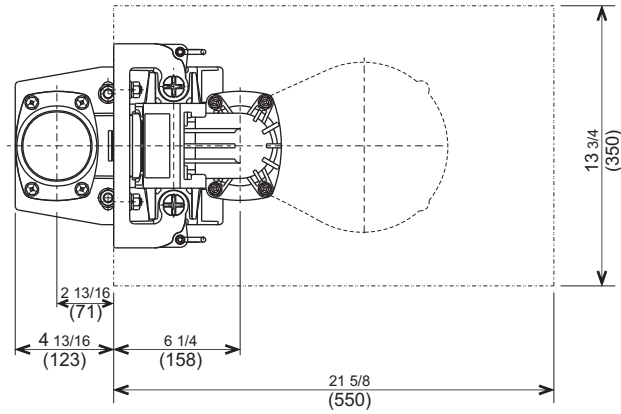
TSURUMI PUMP

VANCS-SERIES PN/PSF/PU

DIMENSIONS

**TOK80PN22.2-61
 TOK80PN23.7-61
 TOK80PSF22.2-61
 TOK80PSF23.7-61
 TOK80PU22.2-61
 TOK80PU23.7-61**

**(Slide Rail System
 TOK2-65T)**



C.W.L. : Continuous running Water Level
 L.W.L. : Lowest running Water Level

Model	OUTPUT HP (kW)	NOM. SIZE inch (mm)	Dimension inch (mm)				Wt. lbs. (kg)
			H1	H2	C.W.L.	L.W.L.	
					W1	W2	
TOK80PN22.2-61	3 (2.2)	3 (80)	23 3/8 (593)	1 5/16 (34)	20 7/8 (530)	6 1/2 (165)	48 (22)
TOK80PN23.7-61	5 (3.7)	3 (80)	24 3/4 (628)	1 5/16 (34)	22 1/4 (565)	6 1/2 (165)	59 (27)
TOK80PSF22.2-61	3 (2.2)	3 (80)	23 3/8 (593)	1 5/16 (34)	20 7/8 (530)	6 1/2 (165)	48 (22)
TOK80PSF23.7-61	5 (3.7)	3 (80)	24 3/4 (628)	1 5/16 (34)	22 1/4 (565)	6 1/2 (165)	59 (27)
TOK80PU22.2-61	3 (2.2)	3 (80)	23 3/8 (593)	3/8 (10)	20 7/8 (530)	6 1/2 (165)	48 (22)
TOK80PU23.7-61	5 (3.7)	3 (80)	24 3/4 (628)	3/8 (10)	22 1/4 (565)	6 1/2 (165)	59 (27)