

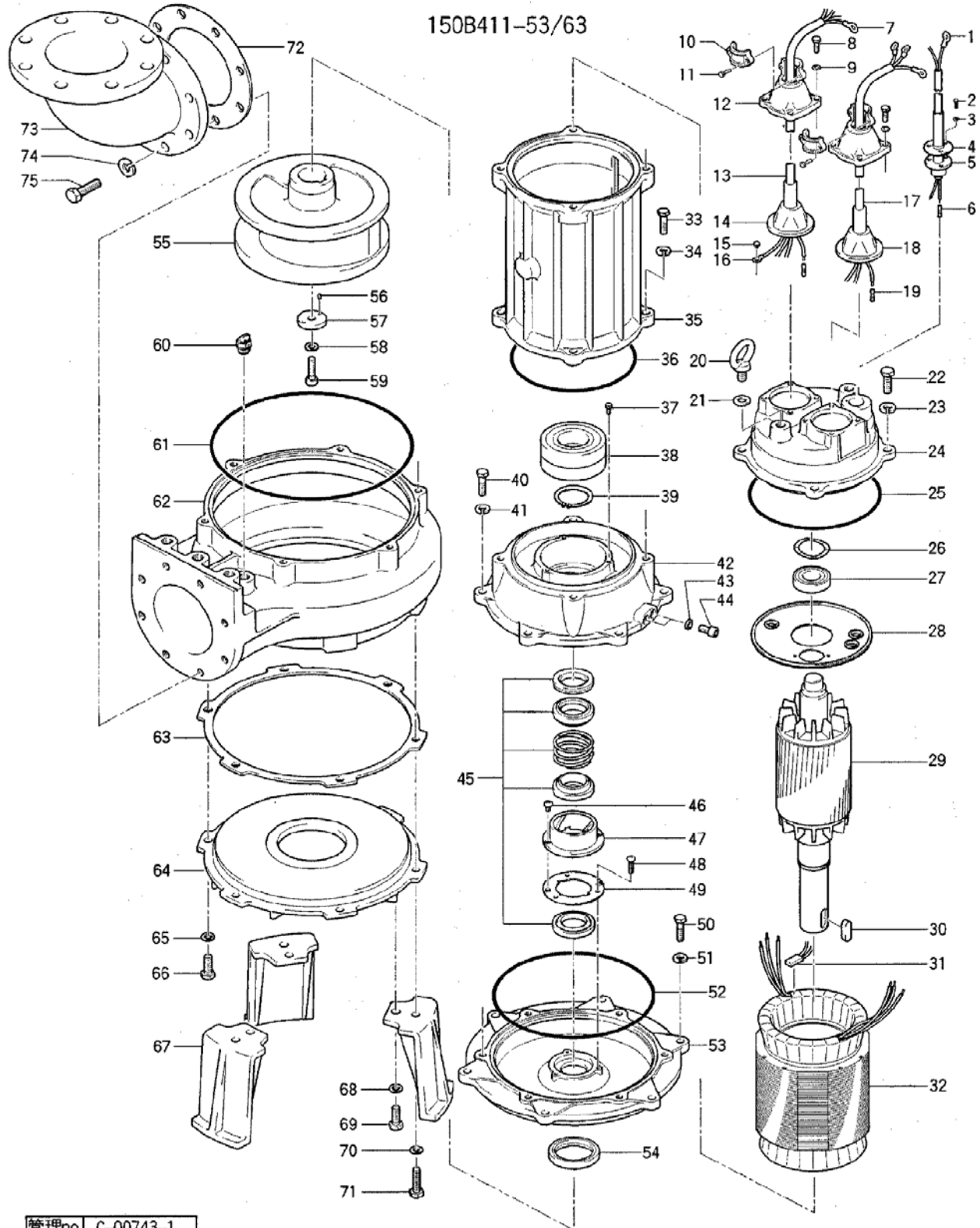
PARTS LIST		SEWAGE & WASTEWATER PUMPS			5/23/2018	
ITEM	PART No.	DESCRIPTION	QTY	SIZE	MATERIAL	NOTES
1	009-127-14	Terminal	2	R-1.25-4	CU	
2	140-018-11	Hex.Bolt	3	M5x15	SUS304	
3	142-422-18	Seal Washer	3	PM-5	SUS+NBR	
4	003-111-20	Gland	1		SUS304	included in ITEM#5 Cable Set
5	001-890-24	Cabtyre Cable Set (32') 60Hz(USA)	1	2PNCT2Cx1.25mm2	BE/CE	
6	009-274-17	Compression type Terminal	2	TMNB-2(Insulated)		
7	009-131-11	Terminal	7	R-5.5-6	CU	
8	140-055-10	Hex.Bolt	8	M8x25	SUS304	
9	142-163-18	Spring Washer	8	M8	SUS304	
10	070-107-18	Cable Clamp	2		FC	included in ITEM#13 Cable Set included in ITEM#17 Cable Set
11	140-035-14	Hex.Bolt	4	M6x20	SUS304	included in ITEM#13 Cable Set included in ITEM#17 Cable Set
12	006-126-14	Stuffing Box	2	No.2	FC	included in ITEM#13 Cable Set included in ITEM#17 Cable Set
13	001-315-20	Cabtyre Cable Set (32') 60Hz (USA)	1	2PNCT4Cx3.5mm2	KR-2	
14	008-142-12	Mould Cover	1	KR2-7	CR	included in ITEM#13 Cable Set
15	143-085-21	Pan Screw (w/Spring Washer)	1	M4x6	SWRM	
16	009-122-19	Terminal	1	R-3.5-4	CU	
17	001-937-24	Cabtyre Cable Set (32') 60Hz (USA)	1	2PNCT3Cx3.5mm2	KR-2	
18	008-154-17	Mould Cover	1	KR2-10	CR	included in ITEM#17 Cable Set
19	009-275-18	Compression type Terminal	6	TGNB-5.5(Insulated)	CU	
20	072-107-14	Eye Bolt	2	M16	SS	can substitute 072-107-27 (SUS304)
21	142-399-15	Washer		d17xd29x0.1t	SUS304	
	142-400-10	Washer		d17xd29x0.3t	SUS304	
22	140-098-15	Hex.Bolt	4	M12x35	SUS304	
23	142-165-10	Spring Washer	4	M12	SUS304	
24	050-000-24	Motor Bracket	1		FC	
25	122-173-19	O-Ring	1	V-225(222.5xd6)	NBR	*
26	142-199-13	Wave Washer	1	6208/6307	SK5	
27	052-000-26	Bearing (w/O-ring)	1	AC-6307ZZC3		
28	058-000-09	Lead Wire Protection Plate	1	d86xd224x1.6t	SPHC	
29	055-000-84	Rotor	1Set			
30	147-000-14	Impeller Key	1	12x8x50	SUS420	
31	053-310-13	Motor Protector	3	9700K-76-215	(H)	
32	056-B91-15	Stator 230V-60Hz(USA)	1Set			
	056-B92-16	Stator 460V-60Hz(USA)	1Set			
	056-B95-19	Stator 575V-60Hz(USA)	1Set			
33	140-100-11	Hex.Bolt	4	M12x45	SUS304	
34	142-165-10	Spring Washer	4	M12	SUS304	
35	064-000-12	Motor Frame	1		FC	

PARTS LIST		SEWAGE & WASTEWATER PUMPS			5/23/2018	
ITEM	PART No.	DESCRIPTION	QTY	SIZE	MATERIAL	NOTES
36	122-173-19	O-Ring	1	V-225(222.5xd6)	NBR	*
37	140-000-06	Hex.Bolt (w/Spring Washer/Plain Washer)	3	M6x12	SWCH	
38	052-141-18	Bearing	1Set	6310ZZD2C3		
39	146-029-13	Retaining Ring	1	C50	SK5	
40	140-099-16	Hex.Bolt	6	M12x40	SUS304	
41	142-165-10	Spring Washer	6	M12	SUS304	
42	060-000-54	Bearing Housing	1		FC	
43	121-247-12	Packing	2	d12.3xd18x2t	PE	*
44	035-113-18	Oil Plug	2	M12x14	SUS304	
45	025-000-62	Mechanical Seal	1	H-45X(E)	SIC	changed from 025-197-15 by TB M63-003
46	143-070-23	Pan Screw	2	M5x6	SWRM	
47	030-140-19	Oil Lifter	1	H-45	Resin	
48	143-070-10	Pan Screw	3	M5x6	SWRM	
49	030-149-18	Seal Stopper	1	H-40/45	SPCC	
50	140-099-16	Hex.Bolt	6	M12x40	SUS304	
51	142-165-10	Spring Washer	6	M12	SUS304	
52	122-160-13	O-Ring	1	G-290(289.3xd5.7)	NBR	*
53	029-000-26	Oil Casing	1	150B411-53/63	FC	
54	026-243-10	Oil Seal	1	TC-8010013	NBR	
55	021-004-47	Impeller (60Hz)	1	150B411-63	FC	
56	144-530-16	Hex. Socket Cap Screw	2	M6x15	SUS304	
57	142-202-10	Impeller Fixing Washer	1	d13xd50x15t	SUS304	
58	142-000-22	Spring Washer	1	M12(CP)	SUS304	
59	140-304-17	Hex.Socket Cap Bolt	1	M12x45	SUS304	
60	046-107-13	Air Release Valve	1	PT-1/2	Nylon	
61	122-270-17	O-Ring	1	350xd5.7	NBR	*
62	020-001-15	Pump Casing	1	150SC411/15-51/61	FC	
63	120-106-15	Packing (S.Cover)		d360xd390x0.5t	PE	
64	022-000-75	Suction Cover	1	150B411-53/63	FC	
65	142-165-10	Spring Washer	3	M12	SUS304	
66	140-097-14	Hex.Bolt	3	M12x30	SUS304	
67	023-289-19	Pump Stand	3	200-11-4B2	FCD	
68	142-165-10	Spring Washer	3	M12	SUS304	
69	140-097-14	Hex.Bolt	3	M12x30	SUS304	
70	142-165-10	Spring Washer	3	M12	SUS304	
71	140-100-11	Hex.Bolt	3	M12x45	SUS304	
72	121-165-28	Packing	1	JIS5Kx150mm	NR	
73	037-119-10	Discharge Bend	1	150x150mm	FC	

PARTS LIST		SEWAGE & WASTEWATER PUMPS				5/23/2018
ITEM	PART No.	DESCRIPTION	QTY	SIZE	MATERIAL	NOTES
74	142-166-11	Spring Washer	8	M16	SUS304	
75	140-128-15	Hex.Bolt	8	M16x60	SUS304	
	048-000-51	Screwed Flange	1	NPT-6(JIS10K)	FC	
	140-155-24	Hex.Bolt	8	M20x85	SWRM	
	141-009-12	Hex.Nut	8	M20	SUS304	
	142-168-26	Spring Washer	8	M20	SWRH	
	121-108-23	Packing	1	JIS10Kx150mm	NR	
	173-001-17	<b>Packing O-Ring Set</b>	1Set	(Marked by *)		
25	122-173-19	O-Ring (M.Bracket/M.Frame)	1	V-225(222.5xd6)	NBR	*
36	122-173-19	O-Ring (M.Frame/Brg.Housing)	1	V-225(222.5xd6)	NBR	*
43	121-247-12	Packing (Oil Plug)	2	d12.3xd18x2t	PE	*
52	122-160-13	O-Ring (Brg.Housing/O.Casing)	1	G-290(289.3xd5.7)	NBR	*
61	122-270-17	O-Ring (O.Casing/P.Casing)	1	350xd5.7	NBR	*
		Lubricant		Turbine Oil VG32 4,200ml		

PARTS LIST		SEWAGE & WASTEWATER PUMPS				5/23/2018
ITEM	PART No.	DESCRIPTION	QTY	SIZE	MATERIAL	NOTES

## EXPLODED VIEW



管理no. C-00743-1