

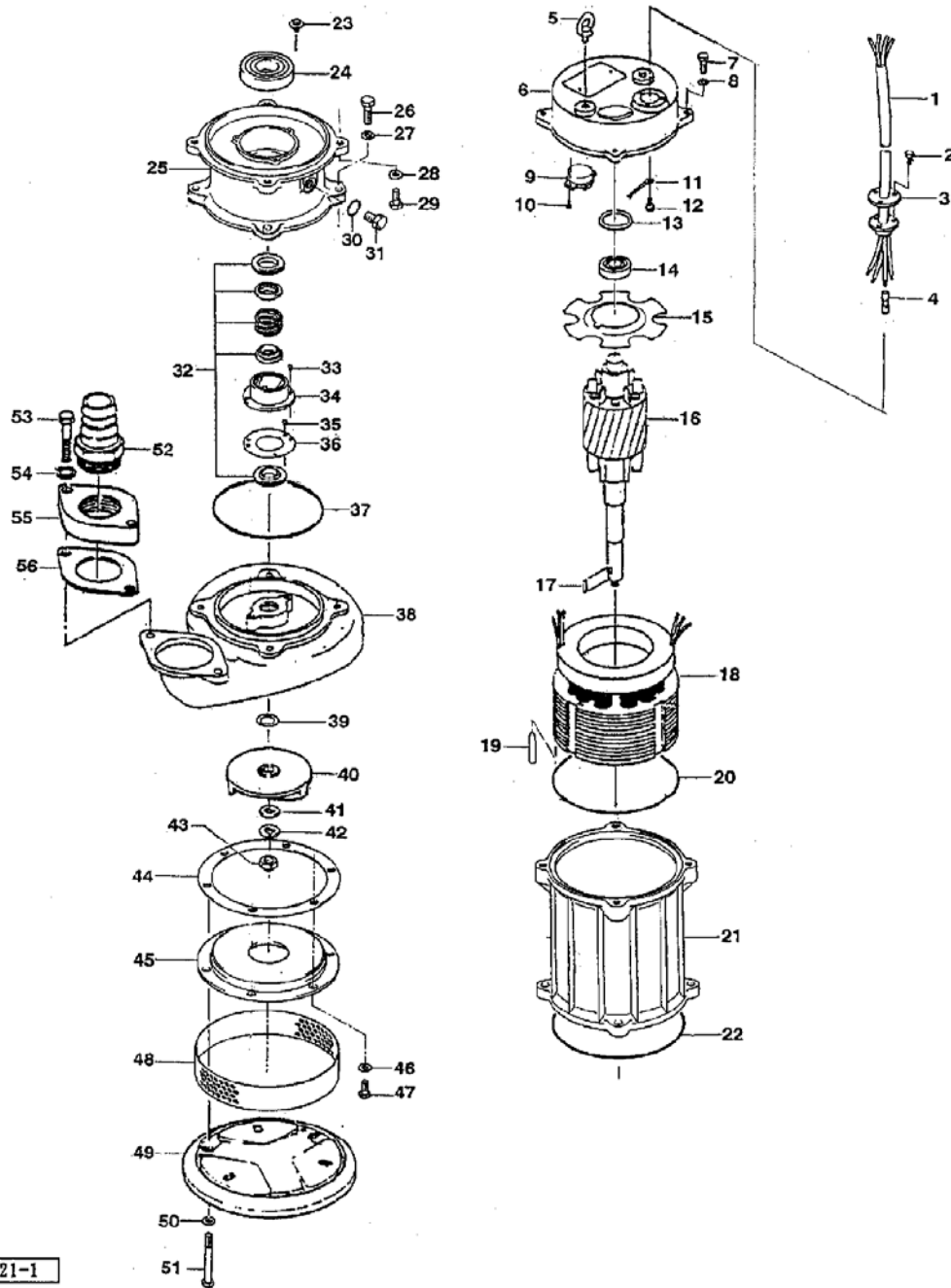
PARTS LIST		STAINLESS STEEL CONTRACTOR PUMP			5/17/2017	
ITEM	PART No.	DESCRIPTION	QTY	SIZE	MATERIAL	NOTES
1	001-210-37	Cabtyre Cable Set (32') 60Hz (USA)	1	VCT4Cx3.5mm2	CL2	
2	140-021-20	Hex.Bolt	3	M5x20	SUS316	
3	003-157-15	Gland	1	37-CL2	SUS316	
4	009-275-18	Compression type Terminal	4	TGNB-5.5(Insulated)	CU	
5	072-100-33	Eye Bolt	2	M10	SUS316	
6	050-484-10	Motor Bracket	1		SCS14	
7	140-055-36	Hex.Bolt	4	M8x25	SUS316	
8	142-163-21	Spring Washer	4	M8	SUS316	
9	053-507-19	Motor Protector 220V-60Hz	1	KA313-GAXL110	(T.C)	
	053-519-14	Motor Protector 460V-60Hz	1	KA313-GDTL103	(T.C)	
	053-000-36	Motor Protector 575V-60Hz	1		(T.C)	
10	143-126-12	Pan Screw (w/Spring Washer/Plain Washer)	2	M4x12	SWRM	
11	009-212-17	Earth Terminal	1Set	2mm2x130L		
12	143-085-34	Pan Screw (w/Spring Washer)	1	M4x6	C3604	
13	142-196-10	Wave Washer	1	6205/6304	SK5	
14	052-107-12	Bearing	1	6304ZZC3		
15	058-000-04	Lead Wire Protection Plate	1	d66xd150x1.5t	Bakelite	
16	055-000-36	Rotor	1Set			
17	147-085-10	Impeller Key	1	5x5x22l	SUS316	
18	056-001-27	Stator 220V-60Hz	1Set			
	056-001-29	Stator 380V-60Hz	1Set			
		Stator 575V-60Hz	1Set			
19	145-022-13	Taper Pin	1	d6x40	S45C	
20	122-332-21	O-Ring	1	160xd2	VITON	*
21	064-000-22	Motor Frame	1		SCS14	
22	122-332-21	O-Ring	1	160xd2	VITON	*
23	140-000-06	Hex.Bolt (w/Spring Washer/Plain Washer)	3	M6x12	SWCH	
24	052-110-18	Bearing	1	6307ZZC3		
25	060-276-18	Bearing Housing	1		SCS14	
26	140-076-20	Hex.Bolt	4	M10x30	SUS316	
27	142-164-22	Spring Washer	4	M10	SUS316	
28	142-163-21	Spring Washer	4	M8	SUS316	
29	140-055-36	Hex.Bolt	4	M8x25	SUS316	
30	122-259-23	O-Ring	1	12xd3	VITON	*
31	035-102-14	Oil Plug	1	M12x16(B=21)	SUS316	
32	025-188-13	Mechanical Seal	1	X-25W	SIC	
33	143-070-23	Pan Screw	2	M5x6	SWRM	
34	030-143-12	Oil Lifter	1	H-25(A)(T)	Resin	

PARTS LIST		STAINLESS STEEL CONTRACTOR PUMP				5/17/2017
ITEM	PART No.	DESCRIPTION	QTY	SIZE	MATERIAL	NOTES
35	143-070-10	Pan Screw	2	M5x6	SWRM	
36	030-152-14	Seal Stopper	1	H-25(A)(T)	SPCC	
37	122-143-23	O-Ring	1	G-160(159.3xd5.7)	VITON	*
38	020-548-10	Pump Casing	1	37-CL2	SCS14	
39	040-120-14	Impeller Shim		d20.2xd30x0.3t	SUS316	
40	021-224-10	Impeller (50Hz)	1	80SFQ23.7-53	SCS14	50HZ OPTION
40	021-225-11	Impeller (60Hz)	1	80SFQ23.7-63	SCS14	
41	142-130-32	Plain Washer	1	M16	SUS316	
42	142-166-24	Spring Washer	1	M16	SUS316	
43	141-033-28	Hex.Cap Nut	1	M16	SUS316	
44	120-127-12	Packing		d171xd186x0.3t	PE	
45	022-307-11	Suction Cover	1	37-CL	SCS14	
46	142-164-22	Spring Washer	3	M10	SUS316	
47	140-074-28	Hex.Bolt	3	M10x20	SUS316	
48	023-116-27	Strainer	1	37-CL	SUS316	
49	049-129-10	Bottom Plate	1	37-CL	SCS14	
50	142-164-22	Spring Washer	3	M10	SUS316	
51	140-086-23	Hex.Bolt	3	M10x75	SUS316	
52	032-124-13	Hose Coupling	1	80mm	SCS14	
53	140-098-28	Hex.Bolt	2	M12x35	SUS316	
54	142-165-23	Spring Washer	2	M12	SUS316	
55	048-189-15	Screwed Flange	1	NPT-3" (PC140)	SCS14	
56	121-150-17	Packing	1	PC140xd85x2t	Cork	*
	173-281-19	Packing O-Ring Set	1Set	(Marked by *)		
20	122-332-21	O-Ring (M.Bracket/M.Frame)	1	160xd2	VITON	*
22	122-332-21	O-Ring (M.Frame/Brg.Housing)	1	160xd2	VITON	*
30	122-259-23	O-Ring (Oil Plug)	1	12xd3	VITON	*
37	122-143-23	O-Ring (Brg.Housing/P.Casing)	1	G-160(159.3xd5.7)	VITON	*
56	121-150-17	Packing (Screwed Flange)	1	P.C.140xd85x2t	Cork	*
		Lubricant		Turbine Oil VG32 850ml		

PARTS LIST		STAINLESS STEEL CONTRACTOR PUMP				5/17/2017
ITEM	PART No.	DESCRIPTION	QTY	SIZE	MATERIAL	NOTES

EXPLODED VIEW

80SFQ23.7-53/63



C-00621-1