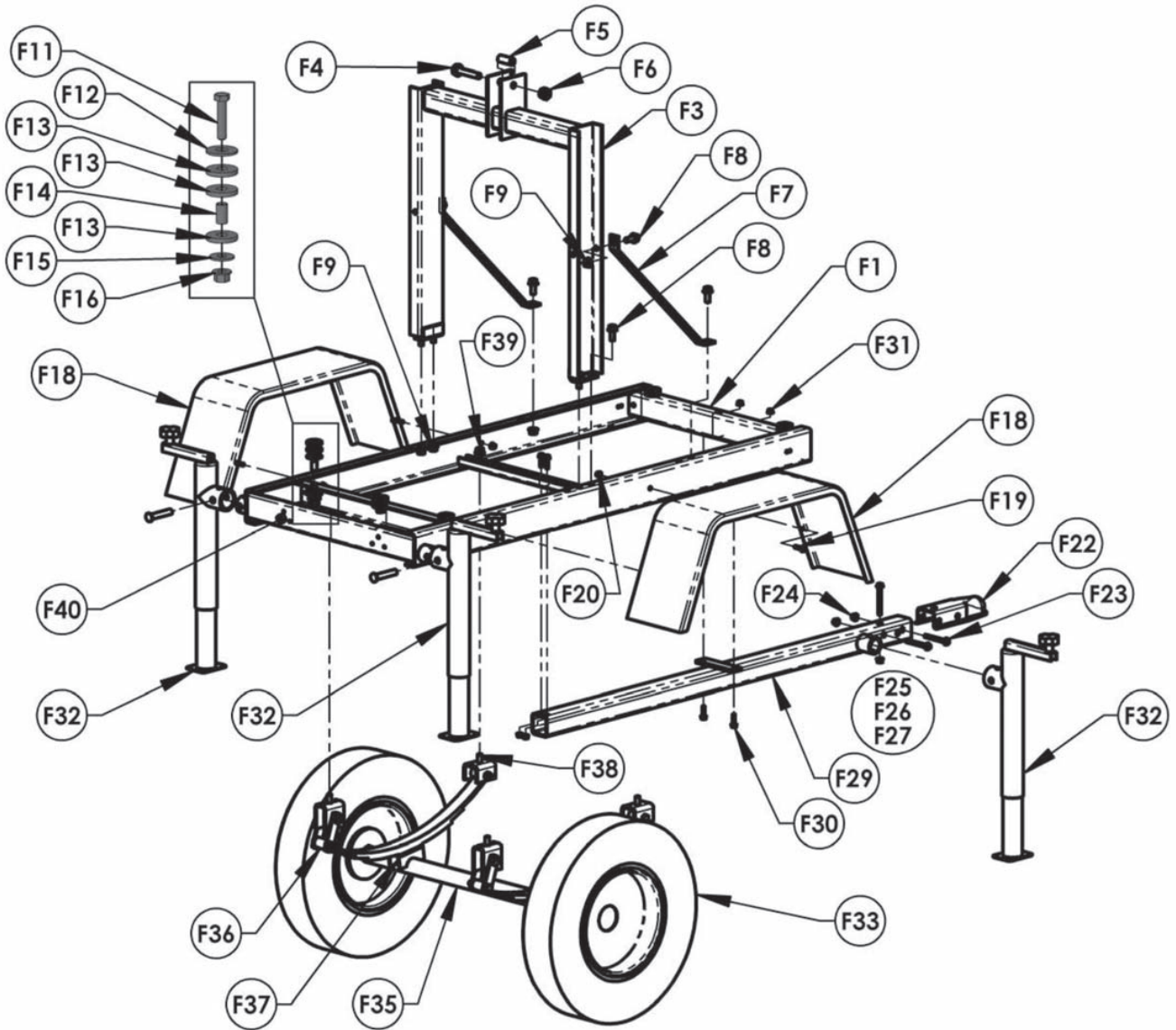


Exploded View and Parts List

6" Engine Driven Trash Pump

Date: 3/28/2011

Ref No	Description	B&S Vanguard	Honda GX660/GX670	Daihatsu Diesel	Qty Reqd
E1	Impeller Kit	5585-010-98	5585-010-98	5585-010-98	1
E2	Impeller	Incl. w/E1	Incl. w/E1	Incl. w/E1	1
E3	Shim set, includes: (2)-0.01", (2)-0.02" & (2)-0.03"	Incl. w/E1	Incl. w/E1	Incl. w/E1	1
E4	Shaft sleeve(incl. w/E1)	5585-140-01	5585-140-01	5585-140-01	1
E5	Mechanical Shaft Seal Kit	5585-301-90	5585-301-90	5585-301-90	1
E6	Shaft seal head	Incl. w/E5	Incl. w/E5	Incl. w/E5	1
E7	Shaft seal seat	Incl. w/E5	Incl. w/E5	Incl. w/E5	1
E8	Seal Plate/Bearing Housing Kit Includes E11 thru 17 or E18, E19, E20 or E21	5585-090-95	5585-090-95	5585-091-96	1
E9	Seal Plate Kit	5585-031-95	5585-031-95	5585-031-95	1
E10	Stub Shaft Kit, Includes E13, thru E16	5585-140-90	5585-140-90	N/A	1
E10	Stub Shaft Kit, Includes E13 thru E16 & E39	N/A	N/A	5585-140-91	1
E11	Seal plate	Incl. w/E9	Incl. w/E9	Incl. w/E9	1
E12	1/2-13x1 Hex screw	Incl. w/E8	Incl. w/E8	Incl. w/E8	2
E13	Stub shaft washer	Incl. w/E8	Incl. w/E8	Incl. w/E8	1
E14	Ball bearing sealed #6209 (45idx85odx19w) (Included w/E10)	1695-080-00	1695-080-00	N/A	1
E14	Ball bearing sealed #6209 (45idx85idx19w) (Included w/E10)	N/A	N/A	1695-080-00	2
E15	Stub Shaft (Included w/E10)	5580-140-00	5580-140-00	5580-140-01	1
E16	1/4square x 1-1/2" long drive key	Incl. w/E10	Incl. w/E10	Incl. w/E10	1
E17	Bearing housing/engine adapter	Incl. w/E8	Incl. w/E8	N/A	1
E18	Bearing housing/bell housing adapter	N/A	N/A	Incl. w/E8	1
E19	1/2-13x1-3/4 Hex screw	Incl. w/E8	Incl. w/E8	Incl. w/E8	3
E20	7/16x1-1/4 Hex screw	Incl. w/E8	Incl. w/E8	N/A	4
E21	M10x1.5x30mm Hex screw	N/A	N/A	Incl. w/E8	8
E22	Gasoline Engine Mounting Hardware	5585-420-91	5585-420-90	N/A	1
E23	Engine oil drain extender	Incl. w/E22	Incl. w/E22	N/A	1
E24	Tachometer/hour meter	Incl. w/E22	Incl. w/E22	N/A	1
E25	Mounting bolt	Incl. w/E22	Incl. w/E22	N/A	4
E26	Mounting nut	Incl. w/E22	Incl. w/E22	N/A	4
E27	Shim set, includes: (8) – 0.02" thick	Incl. w/E22	Incl. w/E22	N/A	1
E28	Diesel Engine Hardware Kit	N/A	N/A	5585-420-93	1
E29	Tachometer/hour meter	N/A	N/A	Incl. w/E28	1
E30	Tachometer wire harness	N/A	N/A	Incl. w/E28	1
E31	Throttle control, includes head and cable	N/A	N/A	Incl. w/E28	1
E32	Diesel Engine Mounting Hardware Kit	N/A	N/A	5585-420-92	1
E33	3/8-16x1 Hex bolt	N/A	N/A	Incl. w/E32	8
E34	3/8-16 Hex flange nut	N/A	N/A	Incl. w/E32	8
E35	Shim set, includes: (16) – 0.02" thick	N/A	N/A	Incl. w/E32	1
E36	Fan Guard Assembly	N/A	N/A	5585-420-94	1
E37	Battery Cable Kit, includes "+" and "-" cables	5585-350-90	5585-350-90	5585-350-90	1
E38	Engine	1639-011-90	1639-012-00	1639-050-00	1
E39	1/4-20 x 3/8 Set screw	N/A	N/A	Incl. w/E10	1
N/S	Muffler (Honda)	N/A	1639-013-00	N/A	1



Exploded View and Parts List

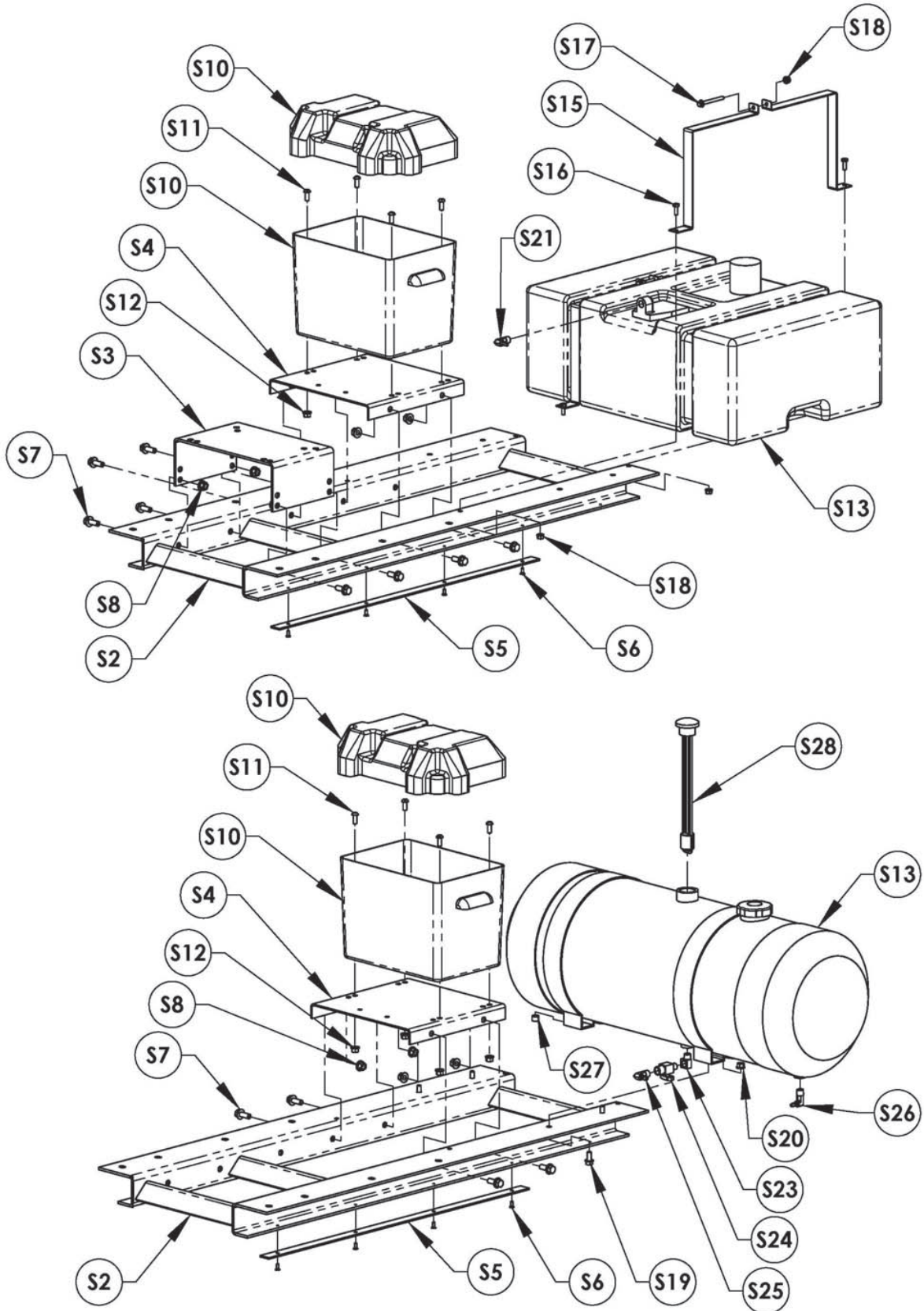
6" Engine Driven Trash Pump

Date: 3/28/2011

FRAME EXPLOSION					
No	Ref Description	B&S Vanguard	Honda GX660/GX670	Daihatsu Diesel	Qty Req'd
F1	Frame Kit	5585-100-90	5585-100-90	5585-100-90	1
F2	Lifting Bail Kit	5585-103-90	5585-103-90	5585-103-90	1
F3	Lifting bail	Incl. w/F2	Incl. w/F2	Incl. w/F2	1
F4	5/8-11x3-1/2 Heavy hex bolt	Incl. w/F2	Incl. w/F2	Incl. w/F2	1
F5	Bolt spacer	Incl. w/F2	Incl. w/F2	Incl. w/F2	1
F6	5/8-11 Heavy hex nut	Incl. w/F2	Incl. w/F2	Incl. w/F2	1
F7	Lifting support	Incl. w/F2	Incl. w/F2	Incl. w/F2	2
F8	1/2-13x1-1/4 Hex flange bolt	Incl. w/F2	Incl. w/F2	Incl. w/F2	8
F9	1/2-13 Hex flange nut	Incl. w/F2	Incl. w/F2	Incl. w/F2	8
F10	Vibration Dampener Kit	5585-111-90	5585-111-90	5585-111-90	5
F11	1/2-13x2-1/4 Hex bolt	Incl. w/F10	Incl. w/F10	Incl. w/F10	1
F12	5/8 Washer	Incl. w/F10	Incl. w/F10	Incl. w/F10	1
F13	Rubber washer	Incl. w/F10	Incl. w/F10	Incl. w/F10	3
F14	Sleeve	Incl. w/F10	Incl. w/F10	Incl. w/F10	1
F15	1/2 Washer	Incl. w/F10	Incl. w/F10	Incl. w/F10	1
F16	1/2-13 Hex flange nut	Incl. w/F10	Incl. w/F10	Incl. w/F10	1

**NOTE: Following parts are for trailer mounted units, not included on skid mounted units.**

F17	Fender Kit	5585-440-90	5585-440-90	5585-440-90	1
F18	Fender	Incl. w/F17	Incl. w/F17	Incl. w/F17	2
F19	5/16-18x1-1/4 Hex flange bolt	Incl. w/F17	Incl. w/F17	Incl. w/F17	4
F20	5/16-18 Hex flange nut	Incl. w/F17	Incl. w/F17	Incl. w/F17	4
F21	Coupler/Safety Chain Kit	5585-441-90	5585-441-90	5585-441-90	1
F22	2" Ball coupler	Incl. w/F21	Incl. w/F21	Incl. w/F21	1
F23	1/2-13x3-1/2 Hex bolt	Incl. w/F21	Incl. w/F21	Incl. w/F21	3
F24	1/2-13 Hex flange nut	Incl. w/F21	Incl. w/F21	Incl. w/F21	3
F25	Safety Chain (not shown)	Incl. w/F21	Incl. w/F21	Incl. w/F21	2
F26	3/8-16x4 Hex bolt (not shown)	Incl. w/F21	Incl. w/F21	Incl. w/F21	1
F27	3/8-16 Hex nut (not shown)	Incl. w/F21	Incl. w/F21	Incl. w/F21	2
F28	Tongue Kit	5585-107-90	5585-107-90	5585-107-90	1
F29	Tongue	Incl. w/F28	Incl. w/F28	Incl. w/F28	1
F30	5/16-18x1-1/4 Hex flange bolt	Incl. w/F28	Incl. w/F28	Incl. w/F28	4
F31	5/16-18 Hex flange nut	Incl. w/F28	Incl. w/F28	Incl. w/F28	4
F32	Jack	5585-443-00	5585-443-00	5585-443-00	1
F33	Tire/wheel Kit (2/kit)	5585-444-00	5585-444-00	5585-444-00	1 Kit
F34	Axle/Spring Kit	5585-445-90	5585-445-90	5585-445-90	1
F35	Axle	Incl. w/F34	Incl. w/F34	Incl. w/F34	1
F36	Springs and Hangers	Incl. w/F34	Incl. w/F34	Incl. w/F34	1
F37	U bolts/plates/nuts	Incl. w/F34	Incl. w/F34	Incl. w/F34	1
F38	1/2-13x1-1/4 Hex flange bolt	Incl. w/F34	Incl. w/F34	Incl. w/F34	4
F39	1/2-13 Hex flange screw	Incl. w/F34	Incl. w/F34	Incl. w/F34	4
F40	Light Kit (includes: tail lights, side lights, protective conduit, & connection plug)	5585-351-90	5585-351-90	5585-351-90	1
F41	Support leg kit Includes F42, F43	5585-108-90	5585-108-90	5585-108-90	2
F42	5/8x3" long pin with cotter key	Incl. w/F41	Incl. w/F41	Incl. w/F41	2
F43	Support leg	Incl. w/F41	Incl. w/F41	Incl. w/F41	2

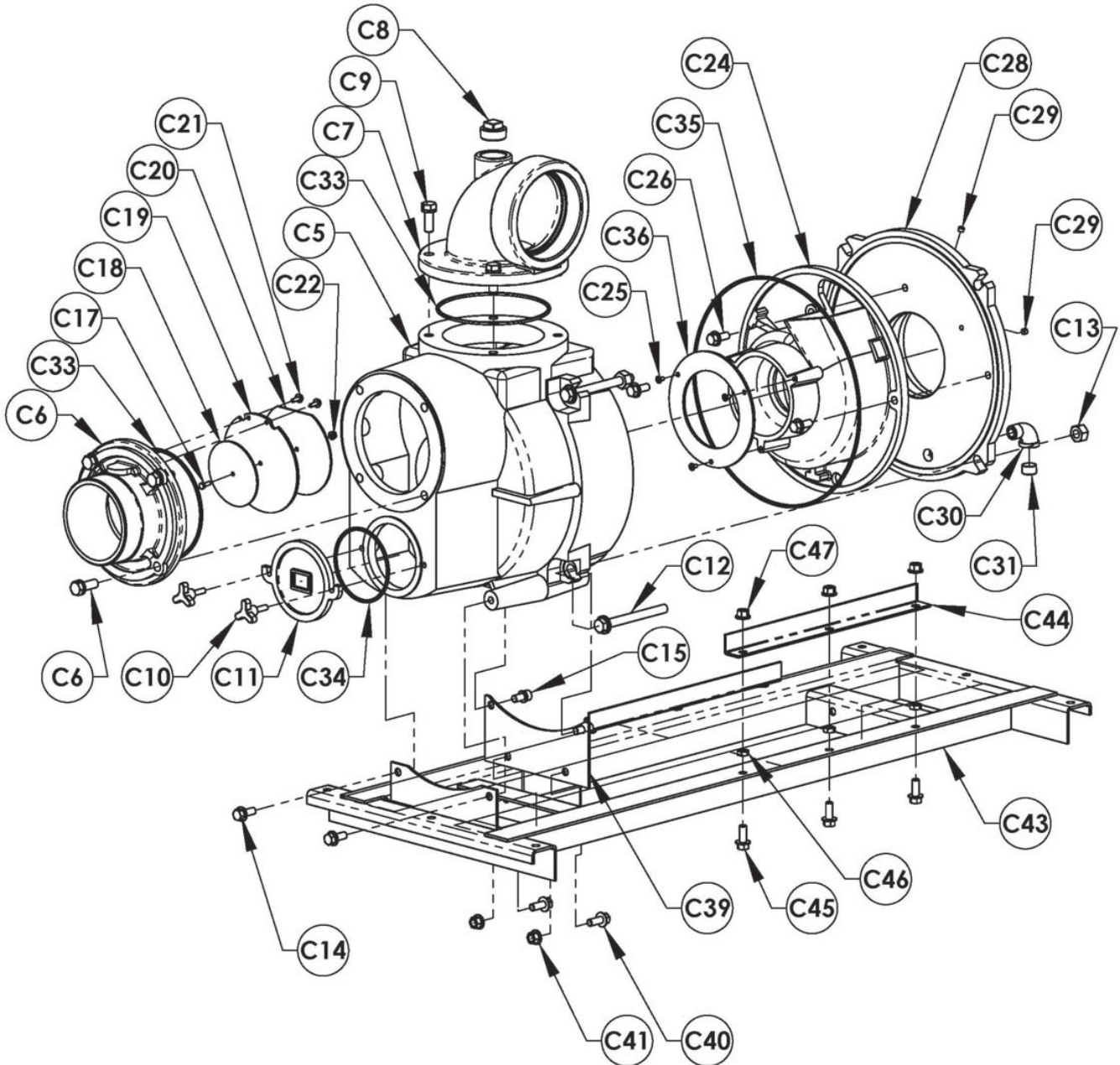


Exploded View and Parts List

6" Engine Driven Trash Pump

Date: 3/28/2011

SLED EXPLOSION					
No	Ref Description	B&S Vanguard	Honda GX660/GX670	Daihatsu Diesel	Qty Reqd
S1	Engine Sled Kit	5585-102-90	5585-102-90	5585-102-91	1
S2	Sled	Incl. w/S1	Incl. w/S1	Incl. w/S1	1
S3	Engine mounting bracket	Incl. w/S1	Incl. w/S1	N/A	1
S4	Battery mounting bracket	Incl. w/S1	Incl. w/S1	Incl. w/S1	1
S5	Slip strip	Incl. w/S1	Incl. w/S1	Incl. w/S1	2
S6	#10-24x1/2 flat head screw	Incl. w/S1	Incl. w/S1	Incl. w/S1	8
S7	3/8-16x1 Hex flange bolt	Incl. w/S1	Incl. w/S1	N/A	8
S7	3/8-16x1 Hex flange bolt	N/A	N/A	Incl. w/S1	4
S8	3/8-16 Hex flange nut	Incl. w/S1	Incl. w/S1	N/A	8
S8	3/8-16 Hex flange nut	N/A	N/A	Incl. w/S1	4
S9	Battery Box Kit	5585-350-91	5585-350-91	5585-350-91	1
S10	Battery box	Incl. w/S9	Incl. w/S9	Incl. w/S9	1
S11	5/16-18x3/4 Hex flange bolt	Incl. w/S9	Incl. w/S9	Incl. w/S9	4
S12	5/16-18 Hex flange nut	Incl. w/S9	Incl. w/S9	Incl. w/S9	4
S13	Fuel tank	5585-171-00	5585-171-00	5585-171-00	1
S14	Fuel Tank Mounting Kit	5585-171-91	5585-171-91	5585-171-91	1
S15	Tank strap	Incl. w/S14	Incl. w/S14	N/A	4
S16	1/4-20x3/4 Hex flange bolt	Incl. w/S14	Incl. w/S14	N/A	4
S17	1/4-20x2-1/2	Incl. w/S14	Incl. w/S14	N/A	4
S18	1/4-20 Hex flange nut	Incl. w/S14	Incl. w/S14	N/A	8
S19	5/16-18x3/4 Hex flange bolt	N/A	N/A	Incl. w/S14	4
S20	5/16-18 Hex flange nut	N/A	N/A	Incl. w/S14	4
S21	Fuel Hose and Fittings Kit (Gas), includes: (1)1/4id fuel hose, (2) hose clamps, 1/4" barbed x 1/4" NPT fitting (all not shown)	5585-171-93	5585-171-93	N/A	1
S22	Fuel Hose and Fittings Kit (Diesel)	N/A	N/A	5585-171-92	1
S23	1/4" NPT street elbow	N/A	N/A	Incl. w/S22	1
S24	1/4" NPT valve	N/A	N/A	Incl. w/S22	1
S25	1/4" NPT x 5/16" barbed fitting	N/A	N/A	Incl. w/S22	1
S26	1/4" NPT x 1/4" barbed fitting	N/A	N/A	Incl. w/S22	1
S27	1/4" NPT plug	N/A	N/A	Incl. w/S22	1
S28	Fuel gauge	N/A	N/A	Incl. w/S22	1
S29	Fuel hoses, includes: (2) 5/16id fuel hose, (1) 1/4id fuel hose, (6) hose clamps (all not shown)	N/A	N/A	Incl. w/S22	1



Exploded View and Parts List

6" Engine Driven Trash Pump

Date: 3/28/2011

CASING MOUNTING EXPLOSION					
Ref		B&S	Honda	Daihatsu	
No	Description	Vanguard	GX660/GX670	Diesel	Qty Reqd
C1	Casing Kit	5585-001-96	5585-001-96	5585-001-96	1
C2	Suction Flange Kit	5585-082-95	5585-082-95	5585-082-95	1
C3	Discharge Manifold Kit	5585-081-95	5585-081-95	5585-081-95	1
C4	Clean-out Cover Kit	5585-040-95	5585-040-95	5585-040-95	1
C5	Casing	Incl. w/C1	Incl. w/C1	Incl. w/C1	1
C6	Suction flange	Incl. w/C2	Incl. w/C2	Incl. w/C2	1
C7	Discharge manifold	Incl. w/C3	Incl. w/C3	Incl. w/C3	1
C8	1-1/2" NPT plug	Incl. w/C3	Incl. w/C3	Incl. w/C3	1
C9	5/8-11x1-3/4 Hex screw	Incl. w/C2 & C3	Incl. w/C2 or C3	Incl. w/C2 or C3	4 Per kit
C10	3/8-16x1-1/4 Handle (Included w/Ref. C4)	1601-000-00	1601-000-00	1601-000-00	2
C11	Clean-out cover	Incl. w/C4	Incl. w/C4	Incl. w/C4	1
C12	5/8-11x6-1/2 Hex bolt	Incl. w/C1	Incl. w/C1	Incl. w/C1	4
C13	5/8-11 Heavy hex nut	Incl. w/C1	Incl. w/C1	Incl. w/C1	4
C14	1/2-13x1-1/4 Hex screw	Incl. w/C1	Incl. w/C1	Incl. w/C1	2
C15	1/2-13x1 Cap screw	Incl. w/C1	Incl. w/C1	Incl. w/C1	2
C16	Flapper/Check Valve Kit	5585-070-90	5585-070-90	5585-070-90	1
C17	1/4-20x3/4 Hex bolt	Incl. w/C16	Incl. w/C16	Incl. w/C16	1
C18	Valve weight front	Incl. w/C16	Incl. w/C16	Incl. w/C16	1
C19	Valve	Incl. w/C16	Incl. w/C16	Incl. w/C16	1
C20	Valve weight rear	Incl. w/C16	Incl. w/C16	Incl. w/C16	1
C21	1/4-20x1/2 Hex screw	Incl. w/C16	Incl. w/C16	Incl. w/C16	2
C22	1/4-20 Hex nut	Incl. w/C16	Incl. w/C16	Incl. w/C16	1
C23	Volute Kit	5585-150-95	5585-150-95	5585-150-95	1
C24	Volute	Incl. w/C23	Incl. w/C23	Incl. w/C23	1
C25	1/4-20x1/2 Hex screw	Incl. w/C23	Incl. w/C23	Incl. w/C23	3
C26	1/2-13x1-1/4 Hex screw	Incl. w/C23	Incl. w/C23	Incl. w/C23	3
C27	Adapter Kit	5585-030-96	5585-030-96	5585-030-96	1
C28	Adapter	Incl. w/C27	Incl. w/C27	Incl. w/C27	1
C29	1/8" NPT plug	Incl. w/C27	Incl. w/C27	Incl. w/C27	2
C30	3/4" NPT street elbow	Incl. w/C27	Incl. w/C27	Incl. w/C27	1
C31	3/4" NPT plug	Incl. w/C27	Incl. w/C27	Incl. w/C27	1
C32	Seal Kit	5585-300-90	5585-300-90	5585-300-90	1
C33	O-ring #369 (3/16x8" id)	Incl. w/C32	Incl. w/C32	Incl. w/C32	2
C34	O-ring #355 (3/16x5-1/4" id)	Incl. w/C32	Incl. w/C32	Incl. w/C32	1
C35	O-ring #386 (3/16x17" id)	Incl. w/C32	Incl. w/C32	Incl. w/C32	1
C36	Volute gasket	Incl. w/C32	Incl. w/C32	Incl. w/C32	1
C37	O-ring #262 (1/8x7" id) (See Engine explosion)	Incl. w/C32	Incl. w/C32	Incl. w/C32	1
C38	Casing Mounting Kit	5585-110-90	5585-110-90	5585-110-90	1
C39	Casing mounting plate	Incl. w/C38	Incl. w/C38	Incl. w/C38	1
C40	1/2-13x1-1/4" Hex bolt	Incl. w/C38	Incl. w/C38	Incl. w/C38	2
C41	1/2-13 Hex nut	Incl. w/C38	Incl. w/C38	Incl. w/C38	2
C42	Angle Frame Kit	5585-101-90	5585-101-90	5585-101-90	1
C43	Angle frame	Incl. w/C42	Incl. w/C42	Incl. w/C42	1
C44	Clamp angle	Incl. w/C42	Incl. w/C42	Incl. w/C42	2
C45	1/2-13x1-1/4" Hex bolt	Incl. w/C42	Incl. w/C42	Incl. w/C42	6
C46	1/2-13 Hex jam nut	Incl. w/C42	Incl. w/C42	Incl. w/C42	6
C47	1/2-13 Hex flange nut	Incl. w/C42	Incl. w/C42	Incl. w/C42	6

NOTE: Parts are sold in kits to insure proper servicing. Only items with 9 digit part numbers can be ordered.