

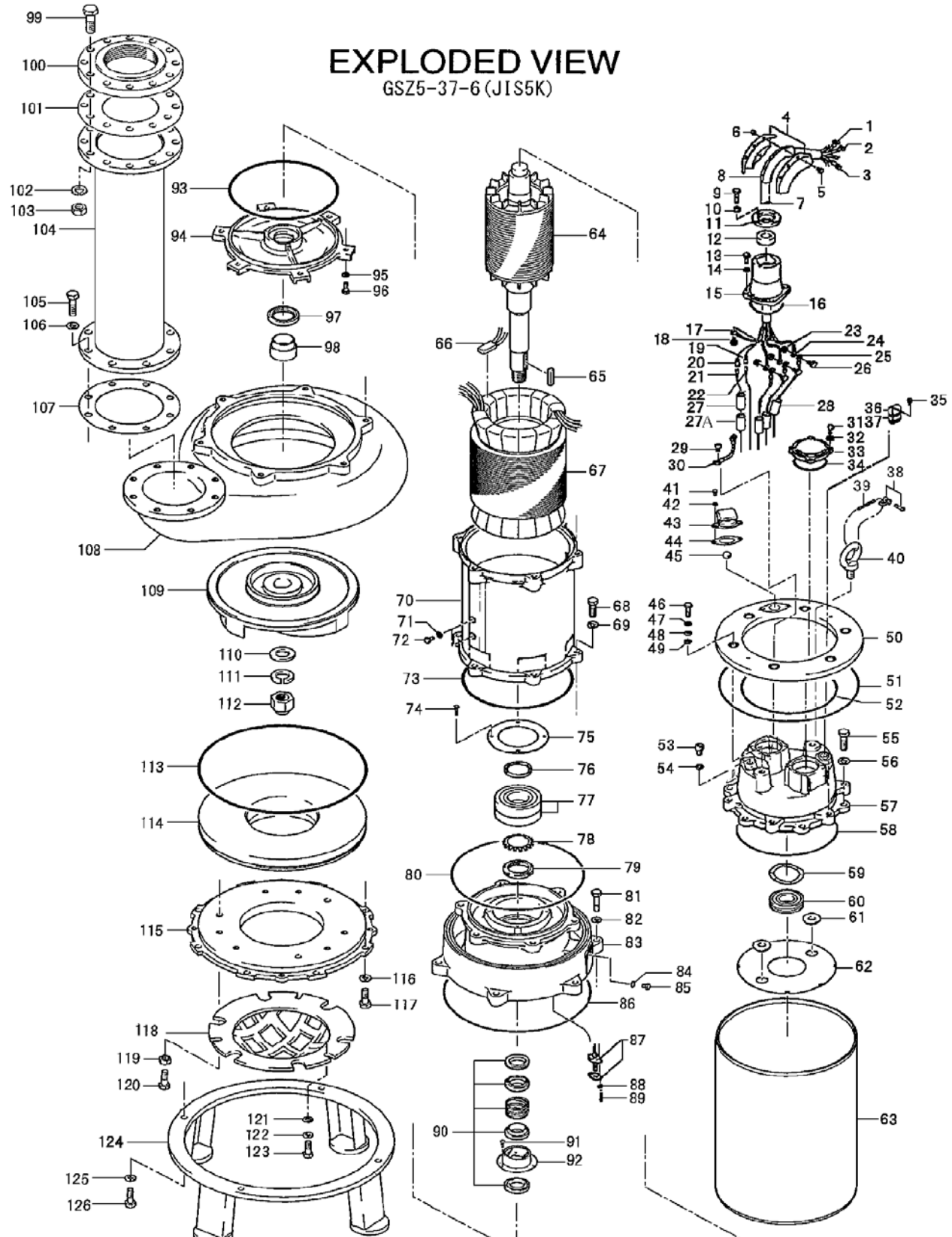
		HI VOLUME DEWATERING/SLURRY PUMP				7/3/2018
ITEM	PART No.	DESCRIPTION	QTY	SIZE	MATERIAL	NOTES
1	009-113-17	Terminal	3	R-38-10	CU	
2	009-107-18	Terminal	1	R-14-6	CU	
3	009-116-10	Terminal	3	R-2-4	CU	
4	010-103-21	Cable Clip	2	No.4	SPC	
5	140-074-15	Hex.Bolt	3	M10x20	SUS304	
6	141-006-19	Hex.Nut	3	M10	SUS304	
7	001-002-57	Cabletyre Cable (Sold per meter)	15	2PNCTFMulti-core7Cx30mm2(d34.1)	(Vm)	
8	010-129-10	Cable Clip Rubber	1	115x100x2t	NBR	
9	140-058-42	Hex.Bolt	4	M8x40	SUS304	
10	141-005-18	Hex.Nut	4	M8	SUS304	
11	003-106-19	Gland	1	No.5	FC	
12	004-000-08	Cable Bush	1	d34.5xd58x27L	NBR	
13	140-076-17	Hex.Bolt	4	M10x30	SUS304	
14	142-164-19	Spring Washer	4	M10	SUS304	
15	006-000-08	Stuffing Box	1	GSZ3-22-6	FC	
16	122-132-16	O-Ring	1	G-105(104.4xd3.1)	NBR	*
17	009-107-18	Terminal	1	R-14-6	CU	
18	140-029-28	Hex.Bolt	1	M6x10	SWRM	
19	009-114-18	Connector	2	PC-4020M		
20	009-114-18	Connector	1	PC-4020M		
21	009-115-19	Connector	1	PC-4020F		
22	009-115-19	Connector	2	PC-4020F		
23	141-004-59	Hex.Nut	4	M6	SWRM	
24	009-167-16	Terminal	3	R-38-S6	CU	
25	009-107-18	Terminal	6	R-14-6	CU	
26	140-030-35	Hex.Bolt	3	M6x12	SWRM	
27	002-128-14	Heat Shrink Tube (Sold per meter)	m	EVA(d10x1t)	(Vm)	
27A	002-164-12	Heat Shrink Tube (Sold per meter)	m	A4(d13x0.3t)	(Vm)	
28	200-000-16	Electrical tape	1	N tape(0.5x19x10M)		
28	200-000-17	Electrical tape	1	S tape(0.2x19x10M)		
28	002-140-12	Heat Shrink Tube (Sold per meter)	m	ST-110DG(d19)	(Vm)	
28	002-163-11	Heat Shrink Tube Silicon Rubber	m	ST-80DG		
28	200-000-10	Insulating Tape	m	W=25,T=0.18		
29	143-041-12	Pan Screw	1	M6x8	SWRM	
30	009-107-18	Terminal	2	R-14-6	CU	
31	140-076-17	Hex.Bolt	4	M10x30	SUS304	
32	142-164-19	Spring Washer	4	M10	SUS304	
33	214-008-10	Blind Cover	1		FC	

		HI VOLUME DEWATERING/SLURRY PUMP				7/3/2018
ITEM	PART No.	DESCRIPTION	QTY	SIZE	MATERIAL	NOTES
34	122-132-16	O-Ring	1	G-105(104.4xd3.1)	NBR	*
35	140-427-17	Hex.Bolt (w/Plain Washer)	2	M5x15	SUS304	
36	003-175-19	Blind Cover	1	LB	SUS304	
37	121-000-01	Packing (Blind Cover)	1	LB	NBR	
38	011-101-19	Shackle	1	6mm	SS	
39	095-100-18	Chain	1	d5(9-Link)	SS	
40	072-108-44	Eye Bolt	2	M30	SS	
41	140-052-17	Hex.Bolt	2	M8x16	SUS304	
42	142-163-18	Spring Washer	2	M8	SUS304	
43	046-000-05	Air Release Valve	1	GSZ/NKZ/B	SPCC	
44	121-151-18	Packing	1	P.C.80xd50	CR	*
45	203-058-11	Ball	1	d28	SS	
46	140-102-13	Hex.Bolt	6	M12x55	SUS304	
47	142-165-10	Spring Washer	6	M12	SUS304	
48	142-000-47	Washer	6	M12(d12.5xd25.5x5t)	SUS304	
49	121-513-12	Seal Packing	6	d11.5xd21x4t	CR	*
50	217-000-21	Fixing Plate	1	GSZ-37/45KW,U-30/37KW	FC	
51	122-359-11	O-Ring	1	445xd5.7	NBR	*
52	122-353-15	O-Ring	1	310xd5.7	NBR	*
53	035-113-18	Oil Plug	1	M12x14	SUS304	
54	121-247-12	Packing	1	d12.3xd18x2t	PE	*
55	140-100-11	Hex.Bolt	6	M12x45	SUS304	
56	142-165-10	Spring Washer	6	M12	SUS304	
57	050-000-76	Motor Bracket	1		FC	
58	122-353-15	O-Ring	1	310xd5.7	NBR	*
59	142-000-73	Wave Washer	1	6310(d109xd92x7Hx1.2t)	SK5	
60	052-000-50	Bearing (w/O-ring)	1	AC-6310ZZC3		
61	016-000-04	Lead Wire Protection Bush	2	d21xd52x11t	SBR	
62	058-000-23	Lead Wire Protection Plate	1	d120xd315x3t	SPCC	
63	065-000-52	Outer Cover	1		SGP	
64	055-002-05	Rotor	1Set			
65	147-000-38	Impeller Key	1	16x10x65L	SUS420	
66	053-001-67	Motor Protector	3	YS11A135A-D20	(H)	
67	056-005-61	Stator 460V-60Hz(USA)	1Set			
	056-005-63	Stator 575V-60Hz(USA)	1Set			
68	140-128-15	Hex.Bolt	6	M16x60	SUS304	
69	142-166-11	Spring Washer	6	M16	SUS304	
70	064-001-04	Motor Frame	1		FC	

		HI VOLUME DEWATERING/SLURRY PUMP				7/3/2018
ITEM	PART No.	DESCRIPTION	QTY	SIZE	MATERIAL	NOTES
71	142-427-13	Seal Washer	2	WD-12	SPC+NBR	
72	140-000-69	Hex.Bolt	2	M12x25	SS	
73	122-308-15	O-Ring	1	320xd5.7	NBR	*
74	140-000-68	Hex.Bolt	4	M8x20	SS	
75	062-000-15	Bearing Fixing Plate	1	6315(PC185)	SS	
76	061-000-05	Slinger	1	6315/7315	SS	
77	052-000-06	Bearing	1Set	6315ZZD2C3		
78	142-248-18	Bearing Washer	1	AW15	SPCC	
79	141-080-17	Bearing Nut	1	AN15	SS	
80	122-359-11	O-Ring	1	445xd5.7	NBR	*
81	140-130-10	Hex.Bolt	6	M16x70	SUS304	
82	142-166-11	Spring Washer	6	M16	SUS304	
83	060-001-05	Bearing Housing	1		FC	
84	122-259-10	O-Ring	2	12xd3	NBR	*
85	035-102-30	Oil Plug	2	M12x16(B=21)	SUS304	
86	122-266-10	O-Ring	1	460xd6	NBR	*
87	090-122-11	Leakage Sensor(Electrode)/w Gland	1Set	d9x43L	SUS	
88	142-161-32	Spring Washer	2	M5	SWRH	
89	140-000-67	Hex.Bolt	2	M5x20	SS	
90	025-000-51	Mechanical Seal	1	H-60	SiC	
91	143-028-13	Pan Screw	3	M5x10	SWRM	
92	030-134-10	Oil Lifter	1	H-60	SPCC	
93	122-265-19	O-Ring	1	335xd5.7	NBR	*
94	029-138-23	Oil Casing	1	GSZ2-37-6	FC	
95	142-165-10	Spring Washer	6	M12	SUS304	
96	140-098-15	Hex.Bolt	6	M12x35	SUS304	
97	026-118-15	Oil Seal	1	TC-709513	NBR	
98	071-000-14	Shaft Sleeve	1	GSZ3-37-6	SUS403	
99	140-155-11	Hex.Bolt	12	M20x85	SUS304	
100	048-000-52	Screwed Flange	1	NPT-8(JIS10K)	FC	
101	121-109-24	Packing	1	JIS10Kx200mm	NR	
102	142-168-13	Spring Washer	12	M20	SUS304	
103	141-009-12	Hex.Nut	12	M20	SUS304	
104	037-150-13	Flanged Discharge Pipe	1Set	200mm(GSZ-37-4)	SGP	
105	140-148-11	Hex.Bolt	8	M20x50	SUS304	
106	142-168-13	Spring Washer	8	M20	SUS304	
107	121-166-29	Packing	1	JIS5Kx200mm	NR	
108	020-341-11	Pump Casing	1	GSZ-37-6(JIS5K-200A)	FC	

		HI VOLUME DEWATERING/SLURRY PUMP				7/3/2018
ITEM	PART No.	DESCRIPTION	QTY	SIZE	MATERIAL	NOTES
109	021-002-35	Impeller (60Hz)	1	GSZ5-37-6	HiCrFC	
110	142-136-12	Plain Washer	1	M42	SUS304	
111	142-173-11	Spring Washer	1	M42	SUS304	
112	157-007-19	Impeller Nut	1	M42,P4.5,H=60	SS	
113	122-307-14	O-Ring	1	510xd5.7	NBR	*
114	033-108-30	Suction Plate	1	GPN-22-6H	HiCrFC	
115	022-177-23	Suction Cover	1	GSZ-37-6	FC	
116	142-166-11	Spring Washer	8	M16	SUS304	
117	140-124-11	Hex.Bolt	8	M16x40	SUS304	
118	023-184-13	Strainer	1	GSZ-37-6	FCD	
119	141-008-11	Hex.Nut	6	M16	SUS304	
120	140-134-30	Hex.Bolt	6	M16x90	SUS304	
121	142-130-16	Plain Washer	3	M16	SUS304	
122	142-166-11	Spring Washer	3	M16	SUS304	
123	140-124-11	Hex.Bolt	3	M16x40	SUS304	
124	023-322-15	Pump Stand	1	GSZ-37-6	SS	
125	142-166-11	Spring Washer	4	M16	SUS304	
126	140-124-11	Hex.Bolt	4	M16x40	SUS304	
	173-002-87	Packing O-Ring Set	1Set	(Marked by *)		
16	122-132-16	O-Ring (S.Box)	1	G-105(104.4xd3.1)	NBR	*
34	122-132-16	O-Ring (Blind Cover)	1	G-105(104.4xd3.1)	NBR	*
44	121-151-18	Packing (Air Release Valve)	1	P.C.80xd50	CR	*
49	121-513-12	Seal Packing (Fixing Plate Bolt)	6	d11.5xd21x4t	CR	*
51	122-359-11	O-Ring (Fixing Plate/Out.Cover)	1	445xd5.7	NBR	*
52	122-353-15	O-Ring (Fixing Plate/M.Bracket)	1	310xd5.7	NBR	*
54	121-247-12	Packing (Air Tightness Test Plug)	1	d12.3xd18x2t	PE	*
58	122-353-15	O-Ring (M.Bracket/M.Frame)	1	310xd5.7	NBR	*
73	122-308-15	O-Ring (M.Frame/Brg.Housing)	1	320xd5.7	NBR	*
80	122-359-11	O-Ring (Out.Cover/Brg.Housing)	1	445xd5.7	NBR	*
84	122-259-10	O-Ring (Oil Plug)	2	12xd3	NBR	*
86	122-266-10	O-Ring (Brg.Housing/P.Casing)	1	460xd6	NBR	*
93	122-265-19	O-Ring (Brg.Housing/O.Casing)	1	335xd5.7	NBR	*
101	121-109-24	Packing (Screwed Flange)	1	JIS10Kx200mm	NR	*
107	121-166-29	Packing (Flanged Discharge Pipe)	1	JIS5Kx200mm	NR	*
113	122-307-14	O-Ring (P.Casing/Suction Plate)	1	510xd5.7	NBR	*
		Lubricant		Turbine Oil VG32 9,200ml		

		HI VOLUME DEWATERING/SLURRY PUMP					7/3/2018
ITEM	PART No.	DESCRIPTION	QTY	SIZE	MATERIAL	NOTES	



* Indicates items included in set



MODEL **GSZ5-37-6 (JIS5K)**

		HI VOLUME DEWATERING/SLURRY PUMP				7/3/2018
ITEM	PART No.	DESCRIPTION	QTY	SIZE	MATERIAL	NOTES
	C-01398-1					