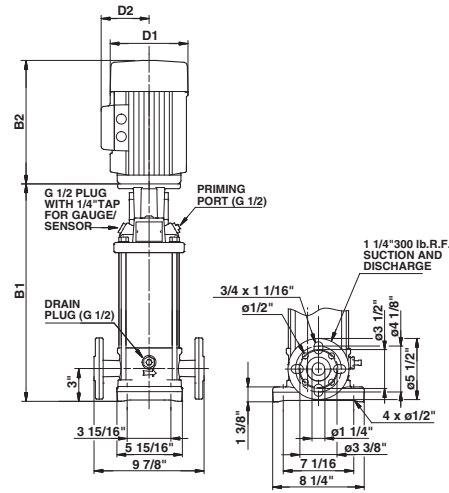


TM03 1454 2205



TM03 1453 2205

Pump type	P2 [hp]	Ph.	PJE*	ANSI dimensions [inch]				Ship Wt. [lbs.]	ANSI dimensions [inch]			
				B1	TEFC				MLE			Ship Wt. [lbs.]
					D1	D2	B1+B2		D1	D2	B1+B2	
CRN(E) 5-2	3/4	1	•	12.09	6.19	5.18	22.00	71	5.55	5.51	19.51	66
		3	•	12.09	5.55	4.57	19.53	62	-	-	-	-
CRN(E) 5-3	1	1	•	13.15	7.19	5.73	24.34	85	-	-	-	-
		3	•	13.15	5.55	4.57	20.59	64	7.01	6.57	25.95	83
CRN(E) 5-4	1 1/2	1	•	14.21	7.19	5.73	25.89	89	5.55	5.51	23.19	74
		3	•	14.21	5.55	4.57	22.83	65	7.01	6.57	27.01	87
CRN 5-5	2	1	•	15.28	7.19	5.73	27.84	101	-	-	-	-
		3	•	15.28	7.01	4.33	26.50	88	-	-	-	-
CRN(E) 5-6	2	1	•	16.34	7.19	5.73	28.90	103	-	-	-	-
		3	•	16.34	7.01	4.33	27.56	90	7.01	6.57	29.14	106
CRN 5-7	3	1	•	18.51	8.60	6.87	33.16	136	-	-	-	-
		3	•	18.51	7.01	4.33	31.74	107	-	-	-	-
CRN 5-8	3	1	•	19.57	8.60	6.87	34.22	138	-	-	-	-
		3	•	19.57	7.01	4.33	32.80	109	-	-	-	-
CRN(E) 5-9	3	1	•	20.63	8.60	6.87	35.28	139	-	-	-	-
		3	•	20.63	7.01	4.33	33.86	110	7.01	6.57	33.94	120
CRN 5-10	5	1	•	21.69	10.62	7.46	37.21	163	-	-	-	-
		3	•	21.69	8.66	5.28	37.20	160	-	-	-	-
CRN 5-11	5	1	•	22.76	10.62	7.46	38.28	165	-	-	-	-
		3	•	22.76	8.66	5.28	38.27	161	-	-	-	-
CRN 5-12	5	1	•	23.82	10.62	7.46	39.34	170	-	-	-	-
		3	•	23.82	8.66	5.28	39.33	163	-	-	-	-
CRN(E) 5-13	5	1	•	24.88	10.62	7.46	40.40	171	-	-	-	-
		3	•	24.88	8.66	5.28	40.39	164	8.66	7.40	40.39	159
CRN 5-14	5	1	•	25.94	10.62	7.46	41.46	172	-	-	-	-
		3	•	25.94	8.66	5.28	41.45	169	-	-	-	-
CRN(E) 5-15	5	1	•	27.01	10.62	7.46	42.53	173	-	-	-	-
		3	•	27.01	8.66	5.28	42.52	170	8.66	7.40	42.52	161
CRN(E) 5-16	5	1	•	28.07	10.62	7.46	43.59	175	-	-	-	-
		3	•	28.07	8.66	5.28	43.58	171	8.66	7.40	43.58	163
CRN 5-18	7 1/2	1	•	30.71	10.22	7.62	46.24	193	-	-	-	-
		3	•	30.71	8.66	5.28	46.22	180	-	-	-	-
CRN(E) 5-20	7 1/2	1	•	32.83	10.22	7.62	48.36	196	-	-	-	-
		3	•	32.83	8.66	5.28	48.34	183	8.66	7.40	48.34	196
CRN 5-22	7 1/2	1	•	34.96	10.22	7.62	50.49	292	-	-	-	-
		3	•	34.96	8.66	5.28	50.47	279	-	-	-	-
CRN(E) 5-24	7 1/2	1	•	37.09	10.22	7.62	52.62	295	-	-	-	-
		3	•	37.09	8.66	5.28	52.60	282	8.66	7.40	52.60	295

All dimensions in inches unless otherwise noted. • Available.

*PJE flanged pump B1 and B1+B2 dimension is one inch less than ANSI flanged pumps and weight is approximately 9 lbs. less.